

TA-E80ES

SERVICE MANUAL

Free service manuals
 Gratis schemata
 Digitized by
**AEP Model
 E Model**

www.freeservicemanuals.info



SPECIFICATIONS

Item	Condition	Data	
Total harmonic distortion	At rated 20 Hz - 20 kHz output	0.001%	
Intermodulation (IM) distortion 60 Hz : 7 kHz = 4 : 1	at rated output	0.001%	
Residual noise	Network A	Less than 8 μ V	
Frequency response	PHONO MM	RIAA equalization curve ± 0.2 dB	
	TUNER, CD, AUX, TAPE 1, TAPE 2, TAPE 3, ADAPTOR IN	3 Hz - 300 kHz ± 0.3 dB	
Input sensitivity	PHONO	MC (3 ohms)	0.17 mV, 100 ohms
		MC(40 ohms)	0.17 mV, 1 kohms
		MM	2.5 mV, 50 kohms
	TUNER, CD (UNBALANCED), AUX, TAPE 1, TAPE 2, TAPE 3, ADAPTOR IN	150 mV, 50 kohms	
	CD (BALANCED)	300 mV, 20 kohms	
Maximum input capability (1 kHz)	PHONO (1 kHz, THD 0.003%)	MC	9 mV
		MM	150 mV

S/N (network)	PHONO	MC (0.5 mV)	83 dB (A)
		MM (5 mV)	95 dB (A)
	TUNER, CD (UNBALANCED), AUX, TAPE 1, TAPE 2, TAPE 3, ADAPTOR IN		105 dB (A)
Output voltage impedance	TAPE 1, TAPE 2, TAPE 3		150 mV, 1 kohms
	HEADPHONES		45 milliwatts (at 8 ohms) Accepts low and high impedance headphones.
	OUTPUT (UNBALANCED)		1.5 V, 700 ohms
	OUTPUT (BALANCED)		3 V, 1.2 kohms

— Continued on Page 2 —

STEREO CONTROL AMPLIFIER
SONY[®]



Item	Condition	Data
Tone controls	BASS (at 100 Hz)	±7 dB (turnover freq. 200 Hz) ±8 dB (turnover freq. 400 Hz)
	TREBLE (at 10 kHz)	±6 dB (turnover freq. 3 kHz) ±8 dB (turnover freq. 6 kHz)
SUBSONIC filter	—	6 dB/octave attenuation below 15 Hz
Muting	—	-20 dB

General

System Low-noise FET high gain, NFB type equalizer amplifier, low noise FET, Double-stage differential, push-pull output, flat amplifier passive type direct tone control

Power requirements European countries: 220 V AC, 50/60 Hz
Other countries: 110 -120 V or 220 -240 V AC adjustable, 50/60 Hz

Power consumption 20 W

AC outlets European countries: 3 switched 200 W max.
Other countries: 3 switched, 500 W max.

Dimensions Approx. 470 x 130 x 370 mm (w/h/d)
Incl. projecting parts and controls

Weight Approx. 11.5 kg

Supplied accessories
Remote commander RM-S808 (1)
Sony batteries SUM-3(NS) (2)
Connecting cord (1)

Design and specification subject to change without notice.

SAFETY-RELATED COMPONENT WARNING!!



COMPONENTS IDENTIFIED BY MARK  OR DOTTED LINE WITH MARK  ON THE SCHEMATIC DIAGRAMS AND IN THE PARTS LIST ARE CRITICAL TO SAFE OPERATION. REPLACE THESE COMPONENTS WITH SONY PARTS WHOSE PART NUMBERS APPEAR AS SHOWN IN THIS MANUAL OR IN SUPPLEMENTS PUBLISHED BY SONY.

TABLE OF CONTENTS

<u>Section</u>	<u>Title</u>	<u>Page</u>
	Specifications	1
1. GENERAL		
	Precautions	3
	Operating Voltage	3
	Function of Controls	4
	System Connections	6
2. DISASSEMBLY		7

<u>Section</u>	<u>Title</u>	<u>Page</u>
3. DIAGRAMS		
3-1.	Circuit Boards Location	8
3-2.	Semiconductor Lead Layouts	9
3-3.	Printed Wiring Boards	10
3-4.	Schematic Diagram	15
4. EXPLODED VIEWS		19
5. ELECTRICAL PARTS LIST		23

SECTION 1 GENERAL

Precautions

This section is extracted from instruction manual.

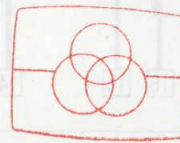
- Unplug the unit from the wall outlet if it is not to be used for an extended period of time. To disconnect the cord, pull it out by grasping the plug. Never pull the plug out by the cord.
- Avoid installing or leaving the unit in a location:
 - near heat sources such as radiators, airducts or heaters
 - subject to direct sunlight
 - exposed to rain or moisture
 - where it is liable to come into contact with dust or dirt
 - that is unventilated, such as on a bookcase.
- Should any liquid or solid object fall into the unit, unplug the unit and have the unit checked by qualified personnel before operating it any further.
- AC power cord must be changed only at the qualified service shop.
- The unit is not disconnected from the AC power source as long as it is connected to the mains outlet, even if the unit itself has been turned off.

If you have any question or problem concerning your unit that is not covered in this manual, please consult your nearest Sony dealer.

Operating Voltage

Before connecting the unit to an AC outlet, be sure that the operating voltage of your unit is identical with that of your local power supply.

European countries	Operates on 220 V AC, 50/60 Hz.
Other countries	Operates on either 110 - 120 V or 220 - 240 V AC, 50/60 Hz. The voltage selector is located on the rear panel. If the selector must be reset, disconnect the AC power cord and set the selector to the proper voltage of your local power supply.



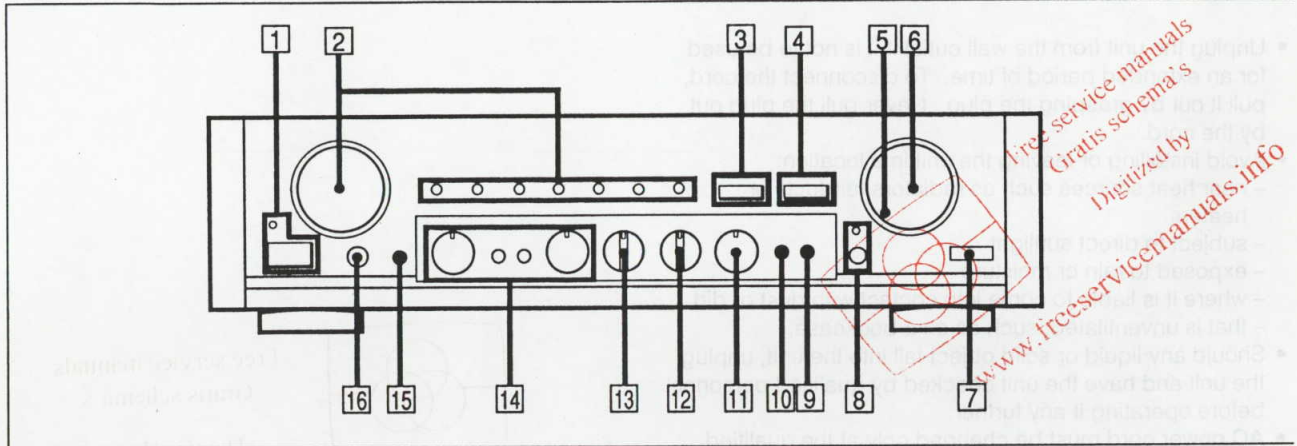
Free service manuals
Gratis schema's

Digitized by

www.freeservicemanuals.info

Function of Controls

Fonction des commandes



For instructions refer to the pages indicated in the circled number.

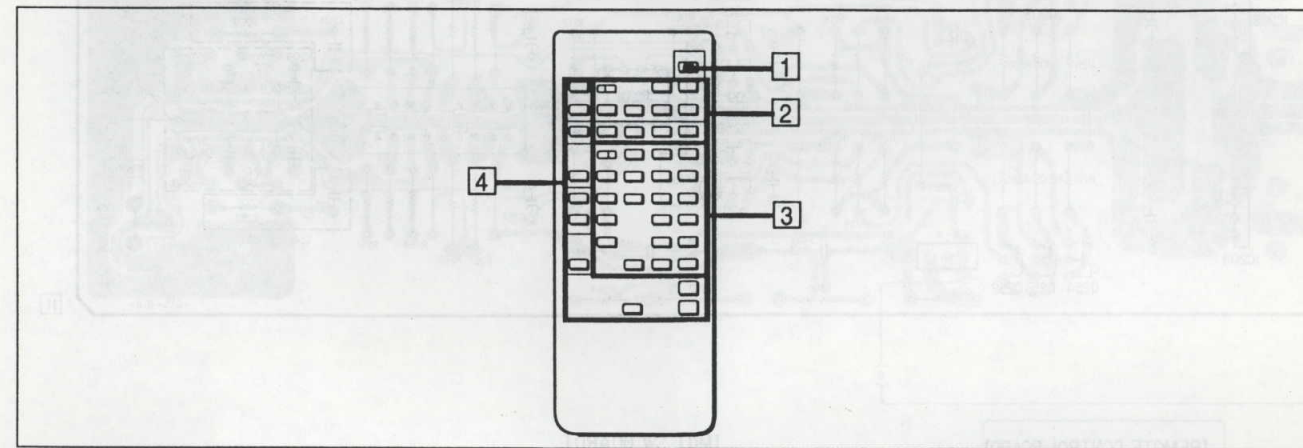
- 1 POWER switch and STANDBY Indicator ¹⁸
- 2 INPUT SELECTOR and Indicators ¹⁸
- 3 ADAPTOR switch and Indicator ¹⁸
- 4 SOURCE DIRECT switch and Indicator ¹⁸
- 5 Protection and power on Indicator ¹⁸
- 6 ATTENUATOR control ¹⁶
- 7 Remote sensor
- 8 MUTING button and Indicator ¹⁶
- 9 SUBSONIC filter switch ¹⁸
- 10 MODE selector ¹⁸
- 11 BALANCE control ¹⁶
- 12 CARTRIDGE LOAD selector ¹⁸
- 13 REC OUT SELECTOR ²⁰
- 14 BASS and TREBLE controls and TURNOVER selectors ¹⁶
- 15 OUTPUT switch ¹⁸
- 16 PHONES Jack (stereo phone jack)

Pour les détails, se reporter aux pages indiquées dans les cercles.

- 1 Interrupteur d'alimentation (POWER) et témoin d'attente (STANDBY) ¹⁸
- 2 Sélecteur et témoins d'entrée (INPUT SELECTOR) ¹⁸
- 3 Commutateur et témoin d'adaptateur (ADAPTOR) ¹⁸
- 4 Commutateur et témoin de source directe (SOURCE DIRECT) ¹⁸
- 5 Témoin de blocage et de mise sous-tension ¹⁸
- 6 Bouton d'atténuation (ATTENUATOR) ¹⁶
- 7 Détecteur de télécommande
- 8 Touche et témoin d'assourdissement (MUTING) ¹⁶
- 9 Commutateur de filtre subsonique (SUBSONIC) ¹⁸
- 10 Sélecteur de mode (MODE) ¹⁸
- 11 Bouton de balance (BALANCE) ¹⁶
- 12 Sélecteur de chargement de cellule (CARTRIDGE LOAD) ¹⁸
- 13 Sélecteur de sortie d'enregistrement (REC OUT SELECTOR) ²⁰
- 14 Boutons des graves et des aigus (BASS, TREBLE) et sélecteurs de fréquence de Nyquist (TURNOVER) ¹⁶
- 15 Commutateur de sortie (OUTPUT) ¹⁸
- 16 Prise casque (PHONES, téléphonique stéréo)

Function of Controls

Fonction des commandes



1 POWER switch

2 Tape deck or DAT deck control section

- DECK A/B selector: Selects DECK A or B to be controlled.
- Locates a desired selection. (AMS) (only for deck B)
- Play
- Fast winding
- Stop
- Pause
- Record muting
- Recording

3 Tuner or CD control section

- TUNER/CD selector: Selects TUNER or CD to be controlled.
- BAND button: Selects the band for a preset station. (only for tuner)
- SHIFT and PRESET buttons: Selects a preset station. (only for tuner)
- Preset or program number (1 to 9, 0/10, and >10) buttons: Selects a preset station (only for tuner) or track (only for CD player).
- Locates a desired selection. (only for CD player)
- Starts play. (only for CD player)
- Stops play. (only for CD player)
- Pause (only for CD player)

4 Control amplifier section

- Function selectors: Select an input source of the control amplifier.
- ATTENUATOR +/- buttons: Control the attenuator of the control amplifier.
- MUTING button: Mutes the sound.

1 Interrupteur d'alimentation (POWER)

2 Section platine-cassette ou platine DAT

- Sélecteur de platine A/B (DECK A/B): Sélection de la platine A ou B à commander.
- Localisation d'une plage (AMS) (platine B uniquement)
- Lecture
- Bobinage rapide
- Arrêt
- Silencieux d'enregistrement
- Enregistrement

3 Section tuner ou lecteur CD

- Sélecteur de tuner/lecteur CD (TUNER/CD): Sélection du lecteur CD ou du tuner à commander.
- Touche de gamme (BAND): Sélection de la gamme pour une station présélectionnée (tuner uniquement).
- Touches de décalage et de présélection (SHIFT, PRESET): Sélection d'une station présélectionnée (tuner uniquement).
- Touches numériques de présélection ou de plage (1 à 9, 0/10, et >10): Sélection d'une station présélectionnée (tuner uniquement) ou d'une plage (lecteur CD uniquement).
- Localisation d'une plage donnée (lecteur CD uniquement)
- Lecture (lecteur CD uniquement)
- Arrêt de la lecture (lecteur CD uniquement)
- Pause (lecteur CD uniquement)

4 Section amplificateur de contrôle

- Sélecteurs de fonction: Sélection d'une source d'entrée de l'amplificateur de contrôle.
- Touches d'atténuation (ATTENUATOR +/-): Réglage d'atténuation de l'amplificateur de contrôle.
- Touche d'assourdissement (MUTING): Assourdissement du son.

System Connections

Connection Notes

- The power cord should be connected last of all, first making sure that the POWER switch is turned off.
- Cable connectors should be fully inserted into the jacks. A loose connection may cause hum and noise.
- Cord plugs and jacks are color coded. Red plugs and jacks are for the right channel (R) and white ones are for the left channel (L).

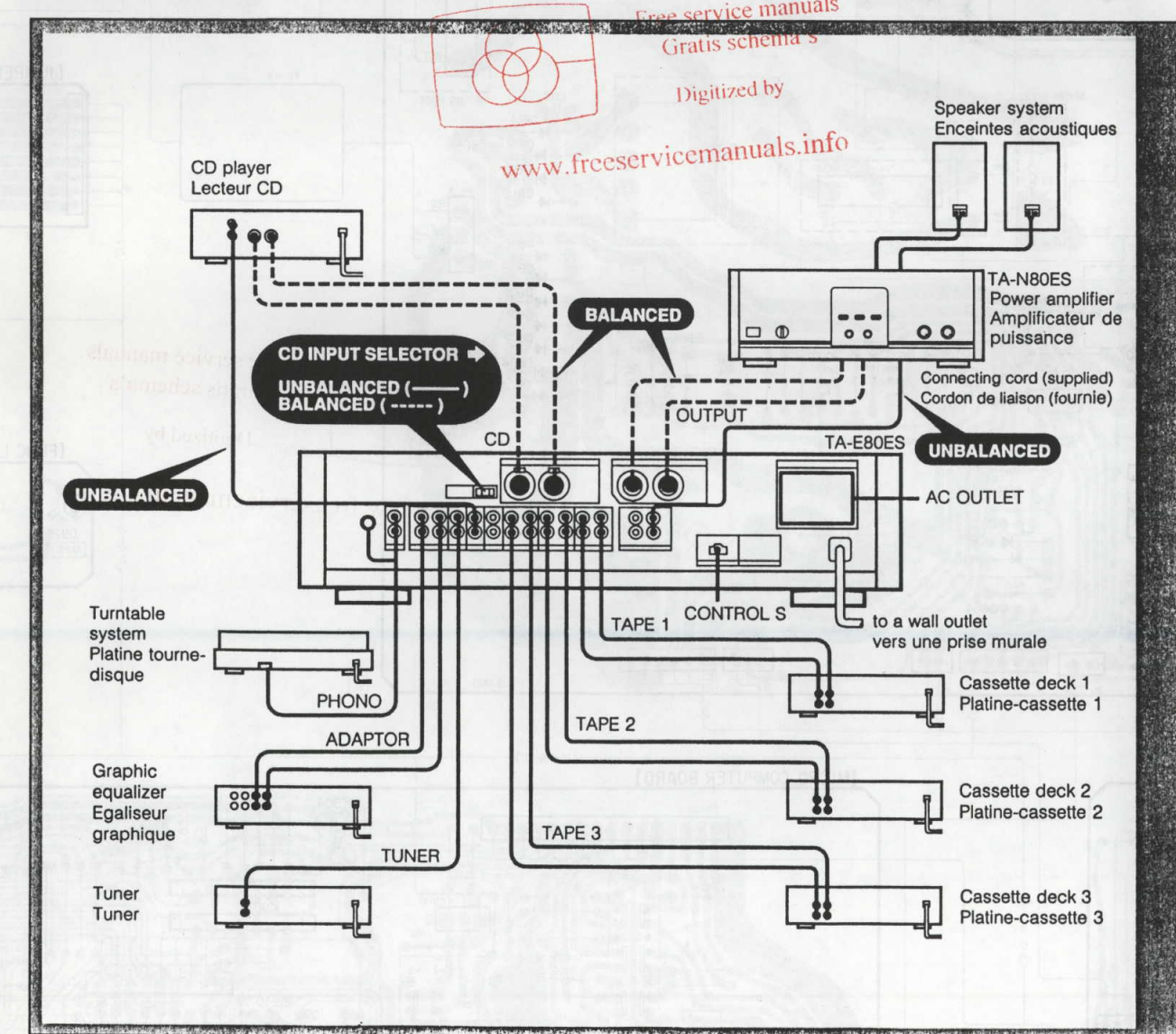
Connexions du système

Remarques sur les connexions

- Le cordon d'alimentation doit être raccordé en dernier, en s'assurant au préalable que l'interrupteur POWER est sur OFF.
- Les câbles de connexions doivent être entièrement insérés dans les prises, une connexion relâchée pouvant être la cause de bruit et de ronflement.
- Les fiches et prises des cordons sont codées avec une couleur. Les fiches et prises rouges sont destinées au canal droit et les blanches au canal gauche.

Connection Diagram

Schéma des connexions



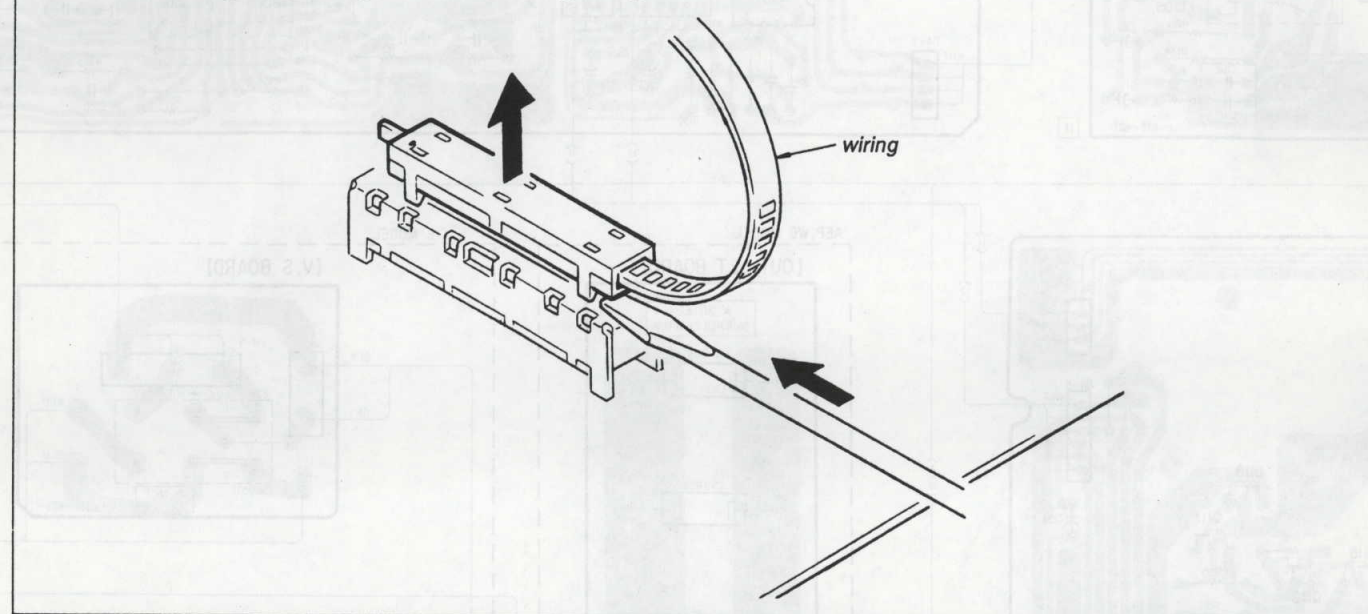
SECTION 2 DISASSEMBLY

NOTE ON REPAIRING DISASSEMBLY AND ASSEMBLY FOR SWITCH SECTION

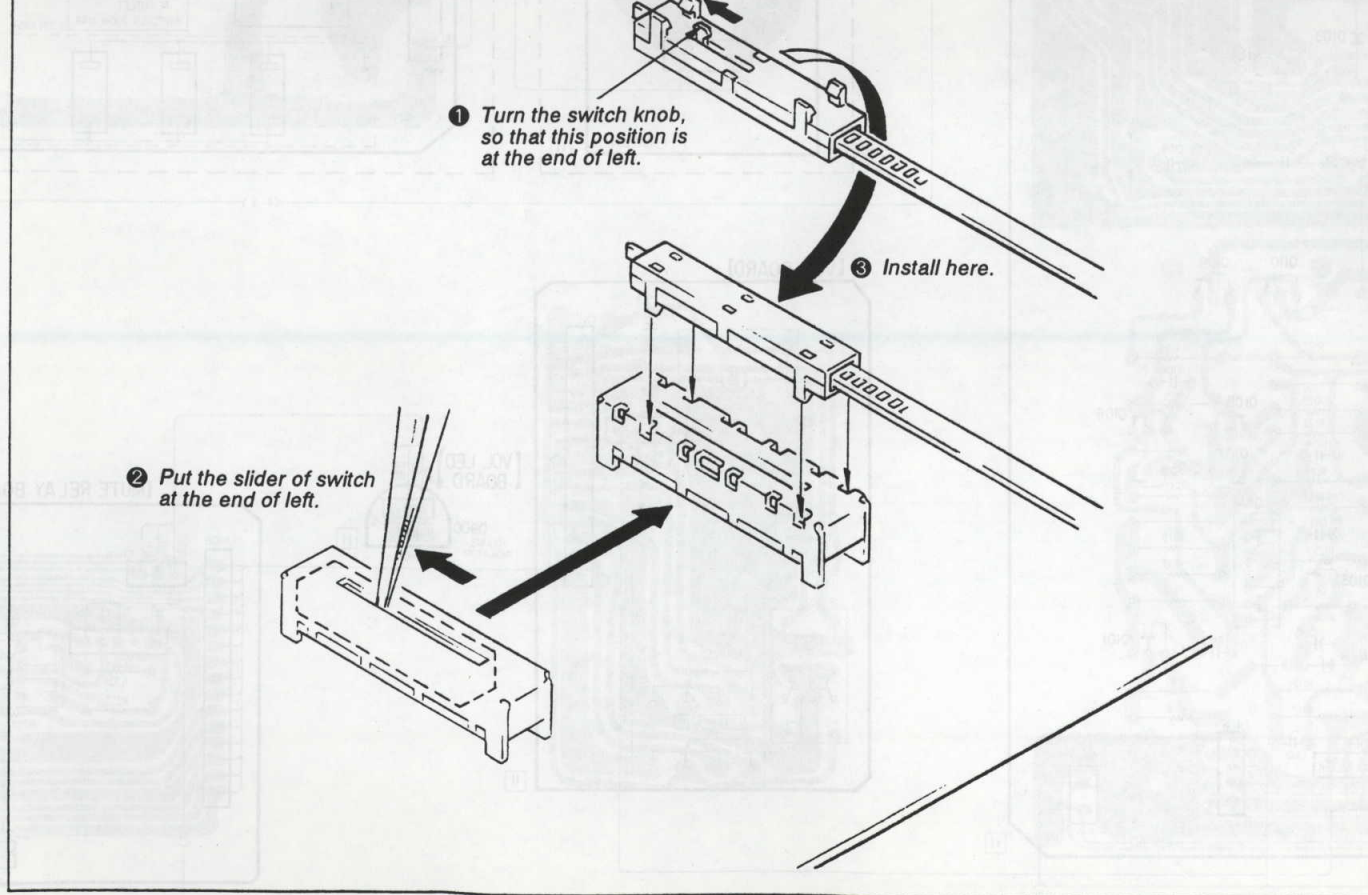
Note: Follow the disassembly procedure in the numerical order given.

DISASSEMBLY

Insert in the screwdriver and remove the wiring as illustrated below. CAUTION: Don't pull the wiring. It causes the wiring damage.

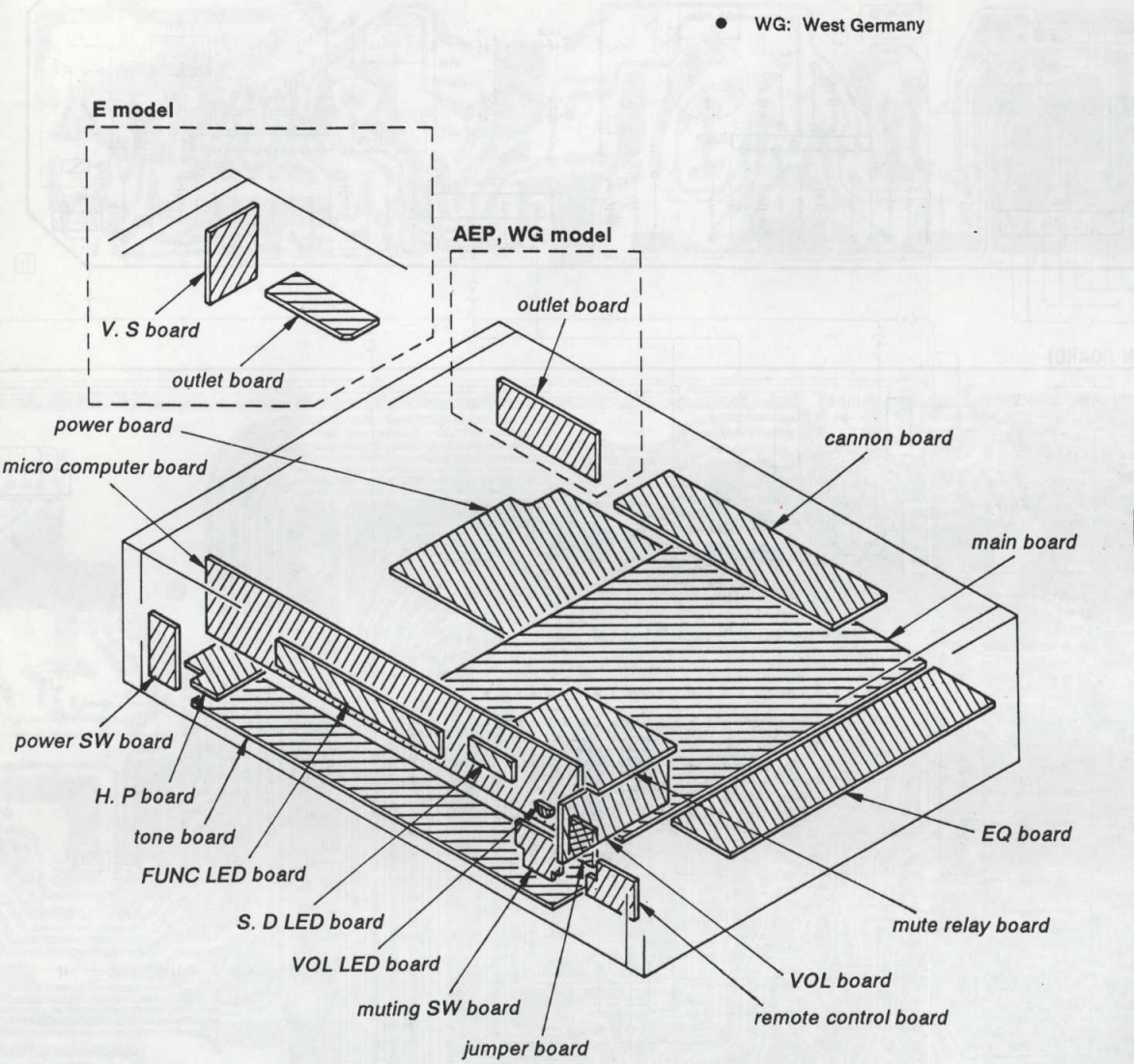


ASSEMBLY

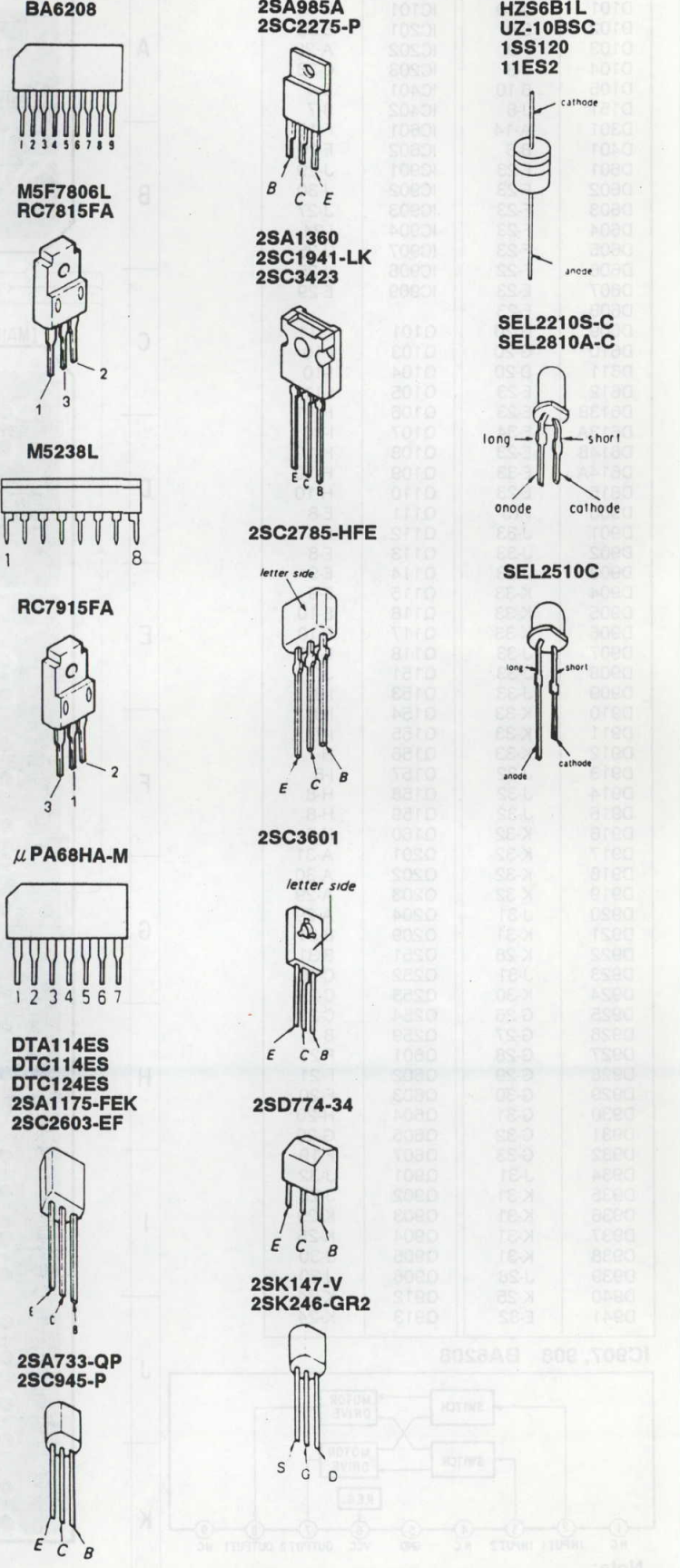


SECTION 3 DIAGRAMS

3-1. CIRCUIT BOARDS LOCATION



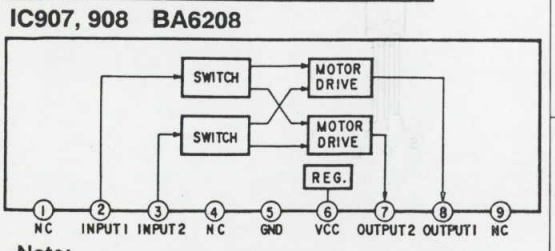
3-2. SEMICONDUCTOR LEAD LAYOUTS



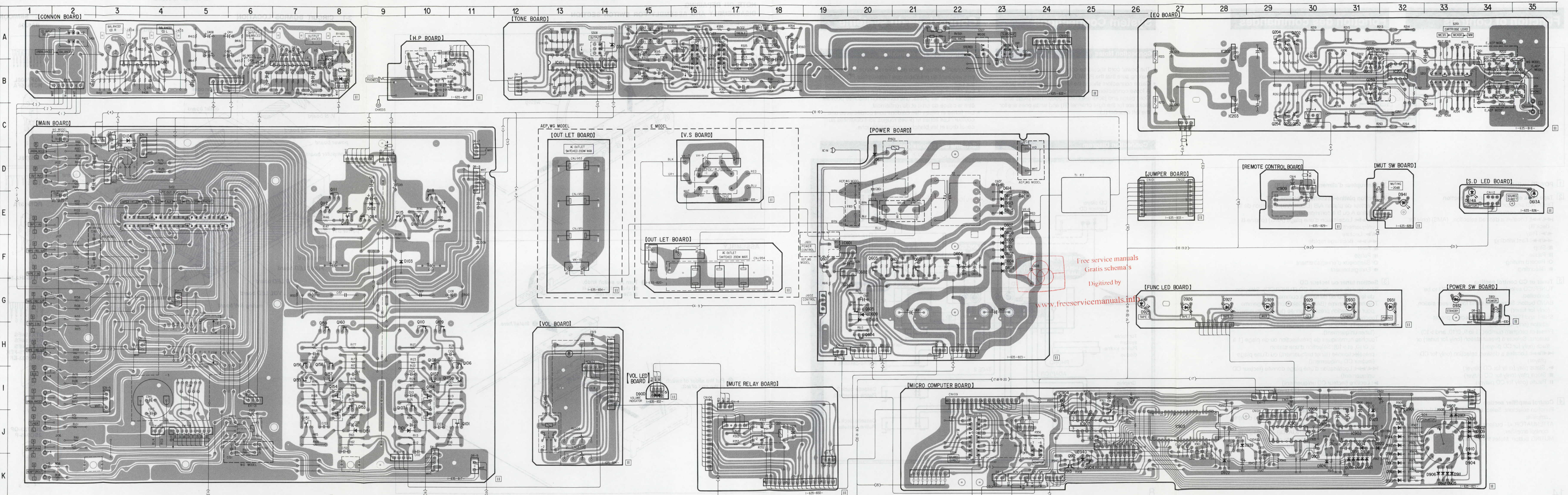
3-3. PRINTED WIRING BOARDS • See page 9 for Semiconductor Lead Layouts
• See page 8 for Circuit Boards Location.

• Semiconductor Location

Ref. No.	Location	Ref. No.	Location
D101	J-10	IC101	B-13
D102	E-9	IC201	B-32
D103	F-9	IC202	A-28
D104	C-3	IC203	C-28
D105	B-10	IC401	B-4
D151	J-8	IC402	B-7
D301	A-14	IC501	F-19
D401	B-8	IC502	F-19
D601	F-23	IC901	J-29
D602	F-23	IC902	J-30
D603	F-23	IC903	J-27
D604	F-23	IC904	I-24
D605	F-23	IC907	J-25
D606	F-22	IC908	J-25
D607	E-23	IC909	E-29
D608	F-23		
D609	G-20	Q101	J-11
D610	G-20	Q103	I-10
D611	D-20	Q104	I-10
D612	E-23	Q105	I-11
D613B	E-23	Q106	H-11
D613A	E-34	Q107	H-10
D614B	E-23	Q108	H-10
D614A	E-33	Q109	H-10
D615	E-23	Q110	H-10
D900	I-15	Q111	E-8
D901	J-33	Q112	E-8
D902	J-33	Q113	E-8
D903	J-33	Q114	E-9
D904	K-33	Q115	E-9
D905	K-33	Q116	E-10
D906	K-33	Q117	E-10
D907	J-33	Q118	E-10
D908	J-33	Q151	J-7
D909	J-33	Q153	I-8
D910	K-33	Q154	I-8
D911	K-33	Q155	I-7
D912	K-33	Q156	H-7
D913	J-32	Q157	I-8
D914	J-32	Q158	H-8
D915	J-32	Q159	H-8
D916	K-32	Q160	H-8
D917	K-32	Q201	A-31
D918	K-32	Q202	A-30
D919	K-32	Q203	A-29
D920	J-31	Q204	A-29
D921	K-31	Q209	B-31
D922	K-28	Q251	B-31
D923	J-31	Q252	C-30
D924	K-30	Q253	C-29
D925	G-26	Q254	C-29
D926	G-27	Q259	B-31
D927	G-28	Q601	F-21
D928	G-29	Q602	F-21
D929	G-30	Q603	F-20
D930	G-31	Q604	H-20
D931	G-32	Q605	G-20
D932	G-33	Q607	F-9
D934	J-31	Q901	J-32
D935	K-31	Q902	J-25
D936	K-31	Q903	K-29
D937	K-31	Q904	K-25
D938	K-31	Q905	J-30
D939	J-28	Q906	J-30
D940	K-25	Q912	K-24
D941	E-32	Q913	K-24



Note:
 ○ : parts extracted from the component side.
 ○ : Pattern on the side which is seen.
 WG: West Germany



Free service manuals
 Gratis schemas
 Digitized by
 www.freeservicemanuals.info

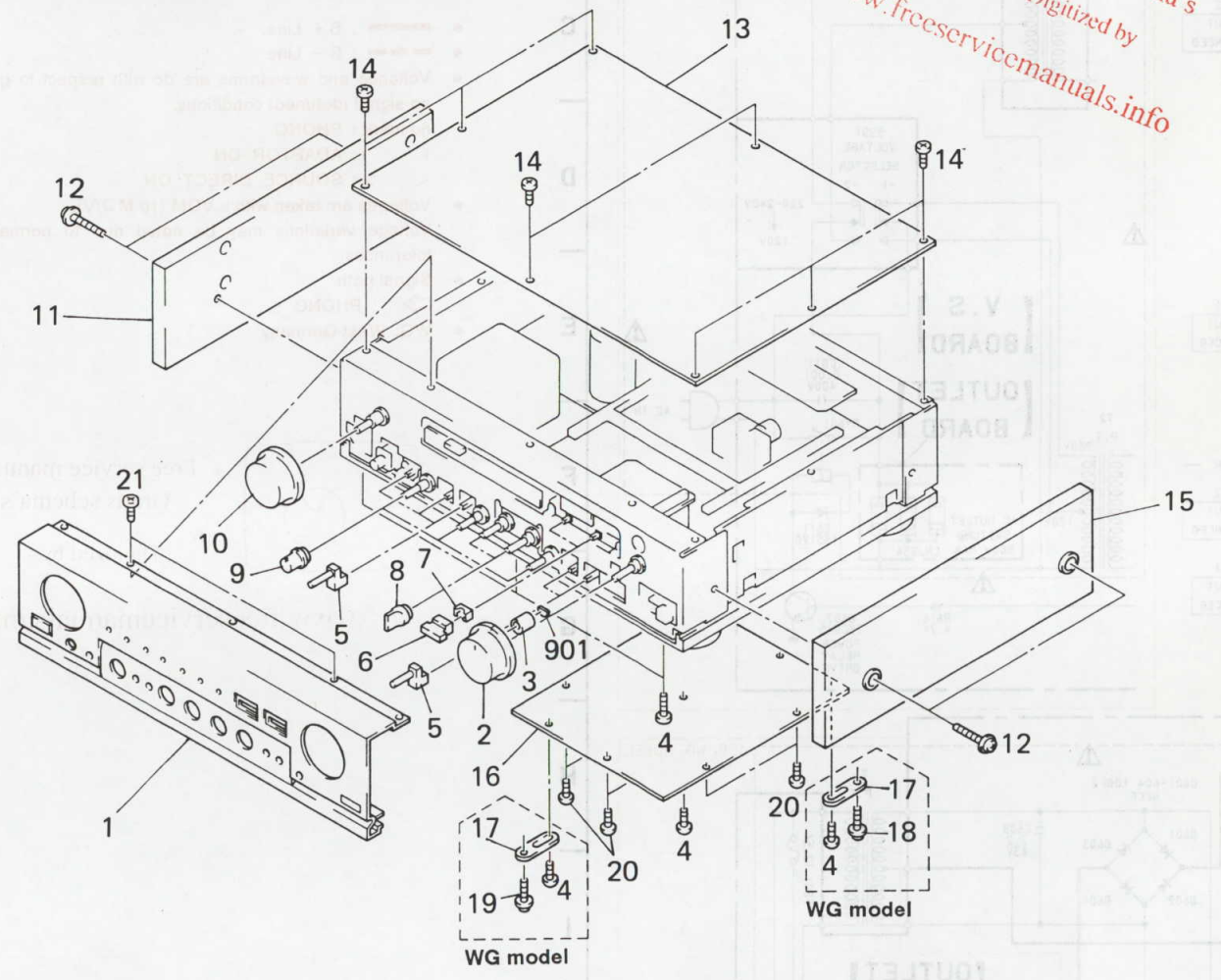
SECTION 4 EXPLODED VIEWS

NOTE:

- The mechanical parts with no reference number in the exploded views are not supplied.
- The construction parts of an assembled part are indicated with a collation number in the remark column.
- Items marked "*" are not stocked since they are seldom required for routine service. Some delay should be anticipated when ordering these items.
- Due to standardization, parts with part number suffix -XX and -X may be different from the parts specified in the components used on the set.
- Color Indication of Appearance Parts Example:
(RED) ... KNOB, BALANCE (WHITE)
↑ Cabinet's Color Parts Color
- WG: West Germany

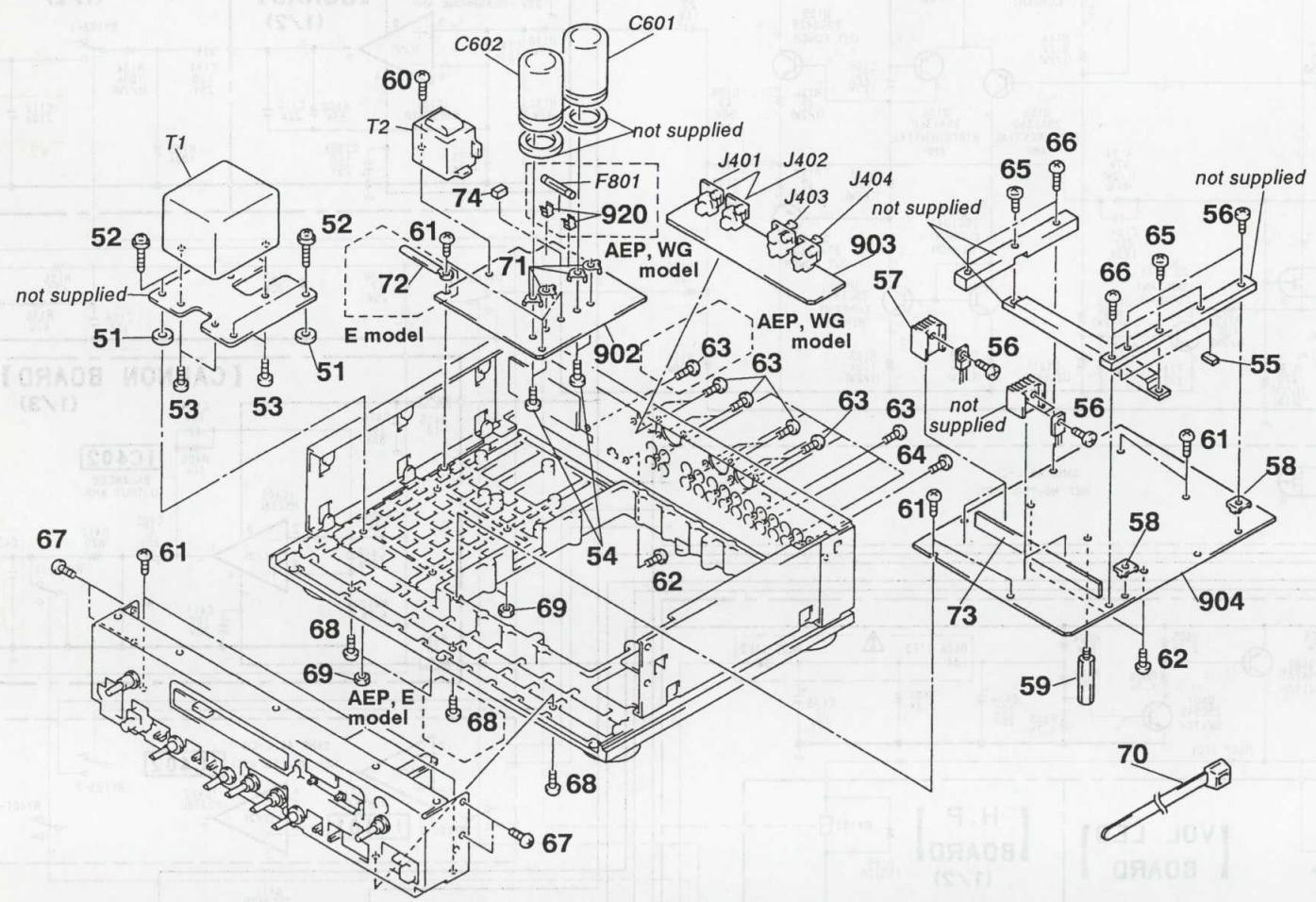
The components identified by mark **A** or dotted line with mark **A** are critical for safety. Replace only with part number specified.

(1) CABINET SECTION



No.	Part No.	Description	Remarks
1	A-4323-678-A	PANEL ASSY, FRONT	
2	X-4922-213-1	KNOB (VOL) ASSY	
3	*4-901-919-00	HOUSE, LED LAMP	
4	7-682-547-09	SCREW +BVTT 3X6 (S)	
5	4-923-879-01	BUTTON (DIA.4)	
6	4-915-338-11	KNOB, SQUARE	
7	4-864-307-00	RING	
8	4-922-265-01	KNOB (FLAT-16)	
9	4-922-266-01	KNOB (ROUND-16)	
10	4-922-264-01	KNOB (FUN)	
11	X-4922-215-1	(AEP,E)...PANEL (L) ASSY, SIDE	
	X-4922-217-1	(WG).....PANEL (L) ASSY, SIDE	
12	4-885-979-11	SCREW (4X25)	
13	4-922-238-11	PLATE, TOP	
14	4-921-439-01	SCREW (M3X8), FLAT HEAD	
15	X-4922-216-1	(AEP,E)...PANEL (R) ASSY, SIDE	
	X-4922-218-1	(WG).....PANEL (R) ASSY, SIDE	
16	*4-922-227-01	PLATE, BOTTOM	
17	*4-911-988-01	(WG)...BRACKET (GROUND)	
18	4-921-437-01	(WG)...SCREW (M3X20), TAPPING	
19	7-685-648-79	(WG)...SCREW TAPPING	
20	7-685-647-79	SCREW +BVTP 3X10 TYPE2 SLIT	
21	7-682-548-09	SCREW +B 3X8	
901	*1-635-832-11	PC BOARD, VOL LED	

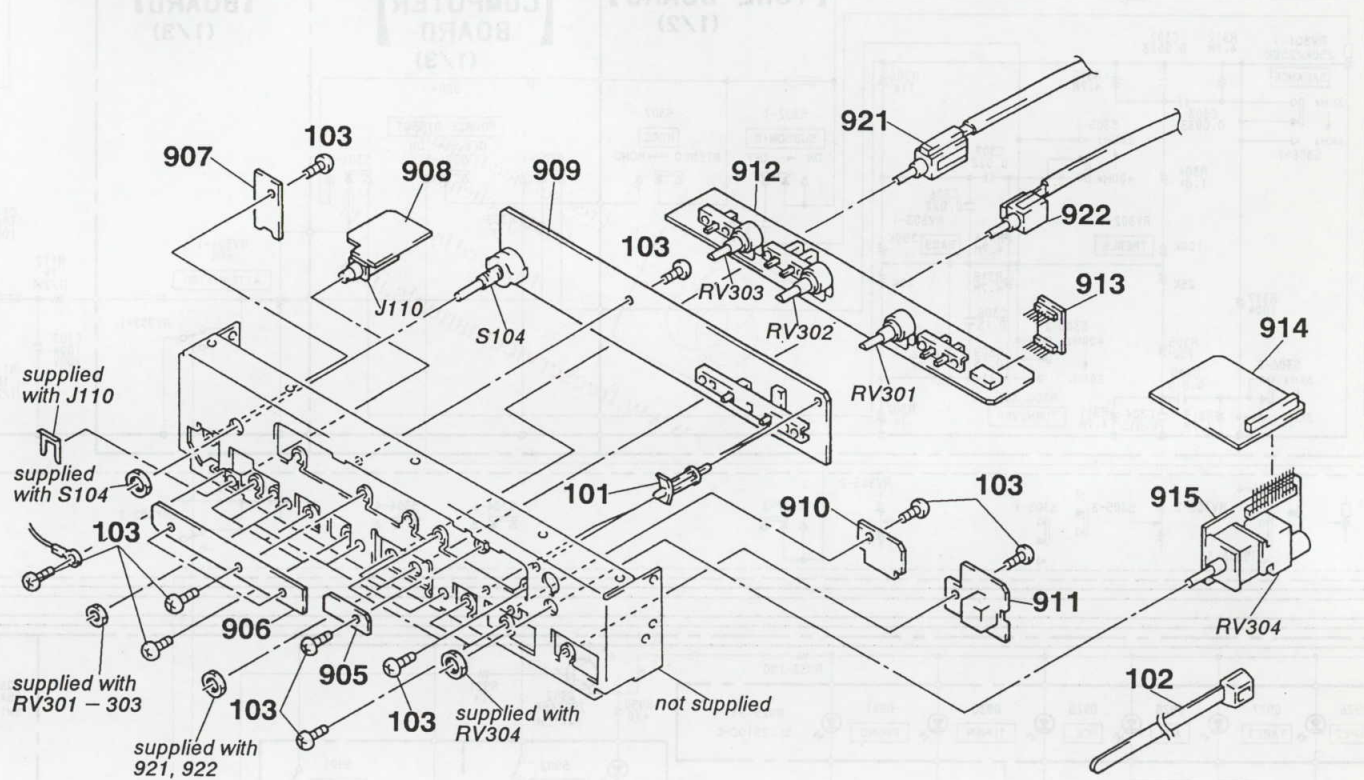
(2) MAIN BOARD SECTION



No.	Part No.	Description	Remarks
51	4-931-976-01	WASHER (BS)	
52	7-682-566-09	SCREW +B 4X20	
53	7-682-561-09	SCREW +B 4X8	
54	*4-931-964-01	SCREW (M4X6)	
55	*4-024-242-21	CUSHION, LID	
56	7-682-148-15	SCREW, TR	
57	*4-921-402-01	HEAT SINK	
58	4-924-264-01	TERMINAL, MOUNT	
59	*4-906-052-21	SUPPORT (B)	
60	7-685-649-79	SCREW +BVTP 3X14 TYPE2 SLIT	
61	7-685-647-79	SCREW +BVTP 3X10 TYPE2 SLIT	
62	7-682-547-09	SCREW +BVTT 3X6 (S)	
63	7-685-646-79	SCREW +BVTP 3X8 TYPE2 N-S	
64	7-621-849-00	SCREW, TAPPING	
65	7-682-548-09	SCREW +B 3X8	
66	7-685-651-79	SCREW +BVTP 3X20 TYPE2 SLIT	
67	7-682-547-09	SCREW +BV 3X6, S TIGHT	
68	7-682-549-09	SCREW +BVTT 3X10 (S)	
69	7-684-024-04	N 4, TYPE 2	
70	3-655-653-21	BAND (TAITON), BINDING	
71	*3-346-266-21	PLATE, GROUND	
72	*4-908-882-01	(E)...CLAMP	
73	4-908-950-01	REINFORCEMENT (A), PWB	
74	*4-921-410-11	CUSHION	
902	*A-4341-159-A	(AEP,WG)...MOUNTED PCB, POWER 71,920,T2	
	*A-4341-173-A	(E).....MOUNTED PCB, POWER 71,T2	
903	*A-4341-156-A	(AEP,E)...MOUNTED PCB, CANNON J401-404	
	*A-4341-177-A	(WG).....MOUNTED PCB, CANNON J401-404	
904	*A-4341-154-A	(AEP,E)...MOUNTED PCB, MAIN 56-58,73	
	*A-4341-175-A	(WG).....MOUNTED PCB, MAIN 56-58,73	
920	*1-533-213-31	(AEP,WG)...HOLDER, FUSE	
C601	1-125-640-11	CAP, ELECT 10000MF 20% 50V	
C602	1-125-640-11	CAP, ELECT 10000MF 20% 50V	
F801	*1-532-286-00	(AEP,WG)...FUSE, TIME-LAG	
J401	1-580-061-11	PLUG, CONNECTOR 3P	
J402	1-580-061-11	PLUG, CONNECTOR 3P	
J403	1-580-060-11	RECEPTACLE, CONNECTOR 3P	
J404	1-580-060-11	RECEPTACLE, CONNECTOR 3P	
T1	*1-450-182-11	(AEP,WG)...TRANSFORMER, POWER	
	*1-450-183-11	(E).....TRANSFORMER, POWER	
T2	*1-450-184-11	(AEP,WG)...TRANSFORMER, POWER	
	*1-450-185-11	(E).....TRANSFORMER, POWER	

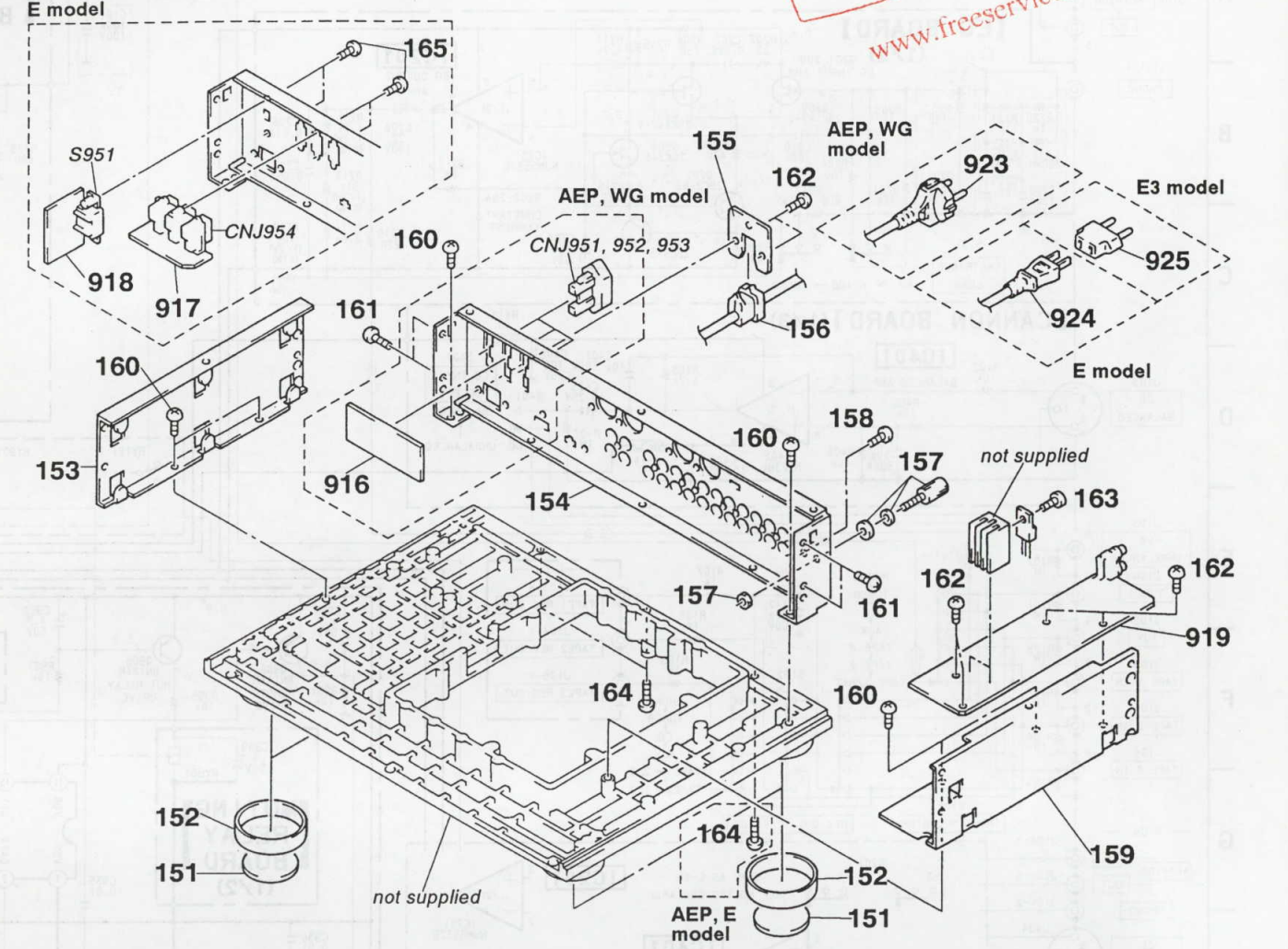
Note: The components identified by mark **A** or dotted line with mark **A** are critical for safety. Replace only with part number specified.

(3) FRONT CHASSIS SECTION



No.	Part No.	Description	Remarks
101	*4-924-098-31	HOLDER, PC BOARD	
102	3-655-653-21	BAND (TAITON), BINDING	
103	7-682-547-09	SCREW +BVTT 3X6 (S)	
905	*1-635-826-11	PC BOARD, S.D LED	
906	*1-635-825-11	PC BOARD, FUNC LED	
907	*1-635-830-11	PC BOARD, POWER SW	
908	*1-635-827-11	PC BOARD, H.P	
909	*A-4341-157-A	MOUNTED PCB, MICRO COMPUTER	S104
910	*1-635-828-11	PC BOARD, MUT SW	
911	*1-635-829-11	PC BOARD, REMOTE CONTROL	
912	*A-4341-158-A	MOUNTED PCB, TONE	RV301-303
913	*1-635-833-11	PC BOARD, JUMPER	
914	*1-635-830-11	PC BOARD, MUTE RELAY	
915	*1-635-824-11	PC BOARD, VOL	
921	*1-572-431-11	SWITCH, ROTARY SLIDE (REMOTE)	
922	*1-572-430-11	SWITCH, ROTARY SLIDE (REMOTE)	
J110	1-507-796-71	JACK (PHONES)	
RV301	1-241-187-11	RES, VAR, CARBON 250K/250K (BALANCE)	
RV302	1-241-189-11	RES, VAR, CARBON 25K/100K (TREBLE)	
RV303	1-241-188-11	RES, VAR, CARBON 25K/250K (BASS)	
RV304	1-241-186-11	RES, VAR, CARBON 60K/60K (ATTENUATOR)	
S104	1-572-095-11	SWITCH, ROTARY (ATTENUATOR)	

(4) MAIN CHASSIS SECTION



No.	Part No.	Description	Remarks
151	4-908-888-01	FOOT, TUNING	
152	4-923-882-02	RING (LARGE-16), ORNAMENTAL, FOOT	
153	*4-922-231-01	BRACKET,MICRO COMPUTER PCBOARD	
154	*4-922-260-01	(AEP,WG)...PANEL, BACK	
	*4-922-260-12	(E).....PANEL, BACK	
155	*4-923-873-01	BRACKET, CORD STOPPER	
156	*2-352-626-01	BUSHING, CORD	
157	*4-935-253-01	TERMINAL, SP	
158	7-621-849-00	SCREW, TAPPING	
159	*4-922-230-01	BRACKET, EQ PC BOARD	
160	7-685-647-79	SCREW +BVTP 3X10 TYPE2 SLIT	
161	7-682-547-09	SCREW +BV 3X6, S TIGHT	
162	7-685-751-09	SCREW +PTT 3X6 (S)	
163	7-682-148-15	SCREW, TR	
164	7-685-876-09	SCREW +BVTT 3X16 (S)	
165	7-685-646-79	SCREW +BVTP 3X8 TYPE2 N-S	
916	*1-635-834-11	(AEP,WG)...PC BOARD, OUT LET (AE)	
917	*1-635-820-11	(E)...PC BOARD, OUTLET (E)	
918	*1-635-835-11	(E)...PC BOARD, V.S	
919	*A-4341-155-A	(AEP,E)...MOUNTED PCB, EQ	163
	*A-4341-176-A	(WG).....MOUNTED PCB, EQ	
923	*1-575-953-11	(AEP,WG)...CORD, POWER	
924	*1-559-297-31	(E).....CORD, POWER	
925	*1-569-007-11	(E3)...ADAPTOR, CONVERSION 2P	
CNJ951.1	1-526-794-11	(AEP,WG)...OUTLET, AC	
CNJ952.1	1-526-794-11	(AEP,WG)...OUTLET, AC	
CNJ953.1	1-526-794-11	(AEP,WG)...OUTLET, AC	
CNJ954.1	1-540-043-11	(E)...OUTLET, AC (NONPLAR)(3P)	
S951	*1-571-309-11	(E)...SWITCH (VOLTAGE SELECTOR)	

Note: The components identified by mark **A** or dotted line with mark **A** are critical for safety. Replace only with part number specified.



SECTION 5

ELECTRICAL PARTS LIST

NOTE:

- Due to standardization, replacements in the parts list may be different from the parts specified in the diagrams or the components used on the set.
- Items marked "★" are not stocked since they are seldom required for routine service. Some delay should be anticipated when ordering these items.
- If there are two or more same circuits in a set such as a stereophonic machine, only typical circuit parts may be indicated and capacitors and resistors in other same circuits may be omitted.

CAPACITORS:
MF: μ F, PF: μ μ F.

RESISTORS

- All resistors are in ohms.
- F: nonflammable

COILS

- MMH: mH, UH: μ H

SEMICONDUCTORS

In each case, U: μ , for example:
UA....: μ A..., UPA....: μ PA...,
UPC....: μ PC, UPD....: μ PD...

The components identified by mark Δ or dotted line with mark Δ are critical for safety. Replace only with part number specified.

- WG: West Germany

Ref.No.	Part No.	Description	Ref.No.	Part No.	Description			
901	*1-635-832-11	PC BOARD, VOL LED	C119	1-123-369-00	ELECT	4.7MF	20%	50V
902	*A-4341-159-A	(AEP,WG)...MOUNTED PCB, POWER	C120	1-123-333-00	ELECT	100MF	20%	25V
	*A-4341-173-A	(E).....MOUNTED PCB, POWER	C121	1-125-641-11	ELECT	1000MF	20%	25V
903	*A-4341-156-A	(AEP,E)...MOUNTED PCB, CANNON	C122	1-125-641-11	ELECT	1000MF	20%	25V
	*A-4341-177-A	(WG).....MOUNTED PCB, CANNON	C123	1-126-044-11	ELECT	1MF	20%	50V
904	*A-4341-154-A	(AEP,E)...MOUNTED PCB, MAIN	C130	1-123-332-00	ELECT	47MF	20%	25V
	*A-4341-175-A	(WG).....MOUNTED PCB, MAIN	C130A	1-123-333-00	ELECT	100MF	20%	25V
905	*1-635-826-11	PC BOARD, S.D LED	C131	1-123-333-00	ELECT	100MF	20%	25V
906	*1-635-825-11	PC BOARD, FUNC LED	C141	1-162-282-31	CERAMIC	100PF	10%	50V
907	*1-635-830-11	PC BOARD, POWER SW	C142	1-136-808-11	(WG)...FILM	100PF	5%	100V
908	*1-635-827-11	PC BOARD, H.P	C151	1-136-808-11	(WG)...FILM	100PF	5%	100V
909	*A-4341-157-A	MOUNTED PCB, MICRO COMPUTER	C152	1-136-808-11	FILM	100PF	5%	100V
910	*1-635-828-11	PC BOARD, MUT SW	C153	1-136-813-11	FILM	680PF	5%	100V
911	*1-635-829-11	PC BOARD, REMOTE CONTROL	C154	1-104-327-11	POLYSTYRENE	22PF	10%	125V
912	*A-4341-158-A	MOUNTED PCB, TONE	C155	1-123-333-00	ELECT	100MF	20%	25V
913	*1-635-833-11	PC BOARD, JUMPER	C156	1-104-326-11	POLYSTYRENE	7PF	1PF	125V
914	*1-635-830-11	PC BOARD, MUTE RELAY	C157	1-136-962-11	FILM	0.47MF	10%	160V
915	*1-635-824-11	PC BOARD, VOL	C158	1-124-910-11	ELECT	47MF	20%	50V
916	*1-635-834-11	(AEP,WG)...PC BOARD, OUT LET (AE)	C159	1-123-330-00	ELECT	22MF	20%	16V
917	*1-635-820-11	(E)...PC BOARD, OUTLET (E)	C160	1-162-282-31	CERAMIC	100PF	5%	50V
918	*1-635-835-11	(E)...PC BOARD, V.S	C161	1-123-333-00	ELECT	100MF	20%	25V
919	*A-4341-155-A	(AEP,E)...MOUNTED PCB, EQ	163					
	*A-4341-176-A	(WG).....MOUNTED PCB, EQ	163					
920	Δ *1-533-213-31	(AEP,WG)...HOLDER, FUSE	C163	1-110-335-11	MYLAR	100PF	5%	50V
921	1-572-431-11	SWITCH, ROTARY SLIDE (REMOTE)	C164	1-136-808-11	(WG)...FILM	100PF	5%	100V
922	1-572-430-11	SWITCH, ROTARY SLIDE (REMOTE)	C180	1-123-332-00	ELECT	47MF	20%	25V
923	Δ 1-575-953-11	(AEP,WG)...CORD, POWER	C191	1-162-282-31	CERAMIC	100PF	10%	50V
924	Δ 1-559-297-31	(E).....CORD, POWER	C192	1-136-808-11	(WG)...FILM	100PF	5%	100V
925	Δ 1-569-007-11	(E3)...ADAPTOR, CONVERSION 2P	C201	1-136-811-11	(AEP,E)...FILM	330PF	5%	100V
C101	1-136-808-11	(WG)...FILM	100PF	5%	100V			
C102	1-136-808-11	FILM	100PF	5%	100V			
C103	1-136-813-11	FILM	680PF	5%	100V			
C104	1-104-327-11	POLYSTYRENE	22PF	10%	125V			
C105	1-123-333-00	ELECT	100MF	20%	25V			
C106	1-104-326-11	POLYSTYRENE	7PF	1PF	125V			
C107	1-136-962-11	FILM	0.47MF	10%	160V			
C108	1-124-910-11	ELECT	47MF	20%	50V			
C109	1-123-330-00	ELECT	22MF	20%	16V			
C110	1-161-263-11	CERAMIC	22PF	5%	50V			
C111	1-123-333-00	ELECT	100MF	20%	25V			
C112	1-162-286-11	(WG)...CERAMIC	220PF	10%	50V			
C113	1-110-335-11	MYLAR	100PF	5%	50V			
C114	1-136-808-11	(WG)...FILM	100PF	5%	100V			
C118	1-123-369-00	ELECT	4.7MF	20%	50V			
C206	1-136-304-11	FILM	0.016MF	2%	0			
C207	1-136-305-11	FILM	0.056MF	2%	0			
C208	1-162-283-11	(WG)...CERAMIC	120PF	10%	50V			
C209	1-162-282-11	(WG)...CERAMIC	100PF	10%	50V			
C210	1-110-335-11	(WG)...FILM	100PF	5%	50V			
C211	1-124-557-11	ELECT	1000MF	20%	25V			
C213	1-124-713-11	ELECT	470MF	20%	35V			
C251	1-136-811-11	(AEP,E)...FILM	330PF	5%	100V			
C252	1-130-487-00	MYLAR	0.022MF	5%	50V			
C253	1-124-748-11	ELECT	22MF	20%	100V			
C254	1-124-130-00	ELECT	100MF	20%	63V			
C256	1-136-304-11	FILM	0.016MF	2%	0			
C257	1-136-305-11	FILM	0.056MF	2%	0			

Note: The components identified by mark Δ or dotted line with mark Δ are critical for safety. Replace only with part number specified.

SECTION 5
ELECTRICAL PARTS LIST

Ref.No.	Part No.	Description			
C258	1-162-283-11	(WG)...CERAMIC	120PF	10%	50V
C259	1-162-282-11	(WG)...CERAMIC	100PF	10%	50V
C260	1-110-335-11	(WG)...FILM	100PF	5%	50V
C261	1-124-557-11	ELECT	1000MF	20%	25V
C263	1-124-713-11	ELECT	470MF	20%	35V
C301	1-136-172-00	FILM	0.39MF	5%	50V
C302	1-130-477-00	MYLAR	0.0033MF	5%	50V
C303	1-130-477-00	MYLAR	0.0033MF	5%	50V
C304	1-130-485-00	MYLAR	0.015MF	5%	50V
C305	1-130-485-00	MYLAR	0.015MF	5%	50V
C306	1-130-487-00	MYLAR	0.022MF	5%	50V
C307	1-130-487-00	MYLAR	0.022MF	5%	50V
C308	1-136-167-00	FILM	0.15MF	5%	50V
C309	1-136-167-00	FILM	0.15MF	5%	50V
C331	1-162-282-11	(WG)...CERAMIC	100PF	10%	50V
C351	1-136-172-00	FILM	0.39MF	5%	50V
C352	1-130-477-00	MYLAR	0.0033MF	5%	50V
C353	1-130-477-00	MYLAR	0.0033MF	5%	50V
C354	1-130-485-00	MYLAR	0.015MF	5%	50V
C355	1-130-485-00	MYLAR	0.015MF	5%	50V
C356	1-130-487-00	MYLAR	0.022MF	5%	50V
C357	1-130-487-00	MYLAR	0.022MF	5%	50V
C358	1-136-167-00	FILM	0.15MF	5%	50V
C359	1-136-167-00	FILM	0.15MF	5%	50V
C381	1-162-282-11	(WG)...CERAMIC	100PF	10%	50V
C401	1-107-202-00	MICA	10PF	0.5PF	500V
C402	1-107-202-00	MICA	10PF	0.5PF	500V
C403	1-123-356-00	ELECT	10MF	20%	25V
C404	1-162-199-31	CERAMIC	10PF	5%	50V
C405	1-123-332-00	ELECT	47MF	20%	25V
C406	1-136-808-11	(WG)...FILM	100PF	5%	100V
C408	1-123-345-00	ELECT	100MF	20%	35V
C409	1-123-345-00	ELECT	100MF	20%	35V
C410	1-123-345-00	ELECT	100MF	20%	35V
C411	1-123-345-00	ELECT	100MF	20%	35V
C412	1-162-282-31	CERAMIC	100PF	10%	50V
C451	1-107-202-00	MICA	10PF	0.5PF	500V
C452	1-107-202-00	MICA	10PF	0.5PF	500V
C453	1-123-356-00	ELECT	10MF	20%	25V
C454	1-162-199-31	CERAMIC	10PF	5%	50V
C455	1-123-332-00	ELECT	47MF	20%	25V
C456	1-136-808-11	(WG)...FILM	100PF	5%	100V
C462	1-162-282-31	CERAMIC	100PF	10%	50V
C601	1-125-640-11	ELECT	10000MF	20%	50V
C602	1-125-640-11	ELECT	10000MF	20%	50V
C603	1-126-059-11	ELECT	10MF	20%	50V
C604	1-126-024-11	ELECT	220MF	20%	25V
C605	1-126-044-11	ELECT	1MF	20%	50V
C606	1-124-556-11	ELECT	2200MF	20%	16V
C607	△.1-136-165-00	FILM	0.1MF	5%	50V
C608	△.1-137-168-11	FILM	2.2MF	10%	63V
C609	1-126-059-11	ELECT	10MF	20%	50V
C610	1-126-059-11	ELECT	10MF	20%	50V
C611	1-124-927-11	ELECT	4.7MF	20%	50V
C801	△.1-161-741-00	CERAMIC	0.001MF	10%	400V
C901	1-125-548-11	ELECT	0.1F		5.5V
C902	1-124-927-11	ELECT	4.7MF	20%	50V

Ref.No.	Part No.	Description			
C903	1-124-927-11	ELECT	4.7MF	20%	50V
C905	1-123-875-11	ELECT	10MF	20%	50V
C906	1-126-233-11	ELECT	22MF	20%	25V
C907	1-136-161-00	FILM	0.047MF	5%	50V
C908	1-126-096-11	ELECT	10MF	20%	35V
C909	1-102-963-00	CERAMIC	33PF	5%	50V
C910	1-102-963-00	CERAMIC	33PF	5%	50V
C912	1-161-379-00	CERAMIC	0.01MF	30%	16V
C914	1-126-022-11	ELECT	47MF	20%	10V
C916	1-124-045-00	ELECT	4.7MF	20%	50V
C917	1-124-045-00	ELECT	4.7MF	20%	50V
C919	1-124-273-00	ELECT	3.3MF	20%	50V
C920	1-136-165-00	FILM	0.1MF	5%	50V
C921	1-123-875-11	ELECT	10MF	20%	50V
C922	1-123-875-11	ELECT	10MF	20%	50V
C933	1-136-165-00	FILM	0.1MF	5%	50V
C934	1-136-165-00	FILM	0.1MF	5%	50V
C935	1-161-379-00	CERAMIC	0.01MF	30%	16V
C936	1-161-379-00	CERAMIC	0.01MF	30%	16V
C937	1-161-379-00	CERAMIC	0.01MF	30%	16V
C938	1-124-791-11	ELECT	1MF	20%	50V
C939	1-124-791-11	ELECT	1MF	20%	50V
CN101	*1-564-599-11	PIN, CONNECTOR	8P		
CN102	*1-564-599-11	PIN, CONNECTOR	8P		
CN103	*1-562-573-11	SOCKET, CONNECTOR	8P		
CN104	*1-566-878-11	PIN, CONNECTOR (PC BOARD)	8P		
CN105	*1-565-484-11	CONNECTOR, BOARD TO BOARD	8P		
CN106	1-568-118-11	SOCKET, CONNECTOR	16P		
CN107	*1-568-204-11	PIN, CONNECTOR (PC BOARD)	16P		
CN109	1-568-118-11	SOCKET, CONNECTOR	16P		
CN108	*1-568-204-11	PIN, CONNECTOR (PC BOARD)	16P		
CN110	1-568-577-11	PIN, CONNECTOR (PC BOARD)	3P		
CN111	*1-562-573-11	SOCKET, CONNECTOR	8P		
CN112	*1-565-835-11	SOCKET, CONNECTOR	3P		
△CNJ951	.1-526-794-11	(AEP,WG)...OUTLET, AC			
△CNJ952	.1-526-794-11	(AEP,WG)...OUTLET, AC			
△CNJ953	.1-526-794-11	(AEP,WG)...OUTLET, AC			
△CNJ954	.1-540-043-11	(E)...OUTLET, AC (NONPLAR)(3P)			
D101	8-719-933-36	DIODE HZS6B1L			
D102	8-719-933-36	DIODE HZS6B1L			
D103	8-719-200-82	DIODE 11ES2			
D104	8-719-912-20	DIODE 1SS120			
D105	8-719-912-20	DIODE 1SS120			
D151	8-719-933-36	DIODE HZS6B1L			
D301	8-719-011-93	DIODE UZ-1OBSC			
D401	8-719-912-20	DIODE 1SS120			
D601	△.8-719-911-55	DIODE U05G			
D602	△.8-719-911-55	DIODE U05G			
D603	△.8-719-911-55	DIODE U05G			
D604	△.8-719-911-55	DIODE U05G			
D605	△.8-719-200-82	DIODE 11ES2			
D606	△.8-719-200-82	DIODE 11ES2			
D607	8-719-200-82	DIODE 11ES2			
D608	8-719-200-82	DIODE 11ES2			
D609	8-719-912-20	DIODE 1SS120			
D610	8-719-912-20	DIODE 1SS120			

Note: The components identified by mark **△** or dotted line with mark **△** are critical for safety. Replace only with part number specified.

Ref.No.	Part No.	Description	Ref.No.	Part No.	Description
D611	8-719-912-20	DIODE 1SS120	EH1	*1-564-509-11	PLUG, CONNECTOR 6P
D612	△.8-719-200-82	DIODE 11ES2	EH2	*1-564-508-11	PLUG, CONNECTOR 5P
D613	△.8-719-200-82	DIODE 11ES2	EH3	*1-564-505-11	PLUG, CONNECTOR 2P
D613A	8-719-301-52	DIODE SEL2810A-C	EH4	*1-564-506-11	PLUG, CONNECTOR 3P
D614	△.8-719-200-82	DIODE 11ES2	EH5	*1-564-506-11	PLUG, CONNECTOR 3P
D614A	8-719-301-52	DIODE SEL2810A-C	EH6A	*1-564-505-11	PLUG, CONNECTOR 2P
D615	8-719-200-82	DIODE 11ES2	EH6	*1-564-507-11	PLUG, CONNECTOR 4P
D900	8-719-313-40	DIODE SEL1516W	EH7	*1-564-508-11	PLUG, CONNECTOR 5P
D901	8-719-912-20	DIODE 1SS120	EH8	*1-564-512-11	PLUG, CONNECTOR 9P
D902	8-719-912-20	DIODE 1SS120	EH9	*1-564-506-11	PLUG, CONNECTOR 3P
D903	8-719-912-20	DIODE 1SS120	EH10	*1-564-510-11	PLUG, CONNECTOR 7P
D904	8-719-912-20	DIODE 1SS120	EH14	*1-564-510-11	PLUG, CONNECTOR 7P
D905	8-719-912-20	DIODE 1SS120	EH15	*1-564-507-11	PLUG, CONNECTOR 4P
D906	8-719-912-20	DIODE 1SS120	EH17	*1-564-509-11	PLUG, CONNECTOR 6P
D907	8-719-912-20	DIODE 1SS120	EH18	*1-564-506-11	PLUG, CONNECTOR 3P
D908	8-719-912-20	DIODE 1SS120	EH19	*1-564-512-11	PLUG, CONNECTOR 9P
D909	8-719-912-20	DIODE 1SS120	EH20	*1-564-505-11	PLUG, CONNECTOR 2P
D910	8-719-912-20	DIODE 1SS120	EH21	*1-564-506-11	PLUG, CONNECTOR 3P
D911	8-719-912-20	DIODE 1SS120	F801	△.1-532-286-00	(AEP,WG)...FUSE, TIME-LAG
D912	8-719-912-20	DIODE 1SS120	IC101	8-759-982-03	IC RC5532DD
D913	8-719-912-20	DIODE 1SS120	IC201	8-759-982-03	IC RC5532DD
D914	8-719-912-20	DIODE 1SS120	IC202	8-759-982-15	IC RC7815FA
D915	8-719-912-20	DIODE 1SS120	IC203	8-759-982-41	IC RC7915FA
D916	8-719-912-20	DIODE 1SS120	IC401	8-759-604-28	IC M5238L
D917	8-719-912-20	DIODE 1SS120	IC402	8-759-604-28	IC M5238L
D918	8-719-912-20	DIODE 1SS120	IC601	8-759-604-84	IC M5F7806L
D919	8-719-912-20	DIODE 1SS120	IC602	8-759-604-84	IC M5F7806L
D920	8-719-912-20	DIODE 1SS120	IC901	8-759-635-31	IC M50253P
D921	8-719-912-20	DIODE 1SS120	IC902	8-759-239-47	IC TC74HC123AP
D922	8-719-912-20	DIODE 1SS120	IC903	8-759-635-30	IC M50720-194SP
D923	8-719-912-20	DIODE 1SS120	IC904	8-719-902-56	DIODE PC817
D924	8-719-912-20	DIODE 1SS120	IC907	8-759-962-08	IC BA6208
D925	8-719-303-00	DIODE SEL2510C	IC908	8-759-962-08	IC BA6208
D926	8-719-303-00	DIODE SEL2510C	IC909	8-749-920-59	IC AIQH3020S
D927	8-719-303-00	DIODE SEL2510C	J101	1-580-054-11	JACK, PIN 2P
D928	8-719-303-00	DIODE SEL2510C	J102	1-566-882-41	JACK, PIN 4P
D929	8-719-303-00	DIODE SEL2510C	J103	1-566-882-41	JACK, PIN 4P
D930	8-719-303-00	DIODE SEL2510C	J104	1-566-883-31	JACK, PIN 6P
D931	8-719-303-00	DIODE SEL2510C	J105	1-566-883-41	JACK, PIN 6P
D932	8-719-301-38	DIODE SEL2210S-C	J106	1-566-883-41	JACK, PIN 6P
D934	8-719-912-20	DIODE 1SS120	J110	1-507-796-71	JACK (PHONES)
D935	8-719-912-20	DIODE 1SS120	J401	1-580-061-11	PLUG, CONNECTOR 3P
D936	8-719-912-20	DIODE 1SS120	J402	1-580-061-11	PLUG, CONNECTOR 3P
D937	8-719-912-20	DIODE 1SS120	J403	1-580-060-11	RECEPTACLE, CONNECTOR 3P
D938	8-719-912-20	DIODE 1SS120	J404	1-580-060-11	RECEPTACLE, CONNECTOR 3P
D939	8-719-912-20	DIODE 1SS120	J601	*1-569-626-11	(AEP,WG)...SOCKET, CONNECTOR 3P (POWER CONTROL)
D940	8-719-912-20	DIODE 1SS120	J602	1-564-980-11	PIN, CONNECTOR 4P (CONTROL S)
D941	8-719-301-52	DIODE SEL2810A-C	L201	1-424-397-11	(WG)...COIL CHOKE 200UH
DR1	*1-564-337-21	PIN, CONNECTOR 3P	L202	1-424-397-11	(WG)...COIL CHOKE 200UH
DR2	*1-564-337-21	PIN, CONNECTOR 3P	L251	1-424-397-11	(WG)...COIL CHOKE 200UH
DR3	*1-564-337-00	PIN, CONNECTOR 3P	L252	1-424-397-11	(WG)...COIL CHOKE 200UH
DR4	*1-564-338-31	PIN, CONNECTOR 4P	Q101	8-729-201-56	TRANSISTOR 2SK246-GR2
DR5	*1-564-338-21	PIN, CONNECTOR 4P	Q103	8-729-203-45	TRANSISTOR 2SC3423
DR6	*1-564-337-21	PIN, CONNECTOR 3P	Q104	8-759-108-01	TRANSISTOR UPA68HA-M
DR7	*1-564-337-21	PIN, CONNECTOR 3P	Q105	8-729-209-17	TRANSISTOR 2SA1360
DR8	*1-564-340-00	PIN, CONNECTOR 6P	Q106	8-729-209-17	TRANSISTOR 2SA1360
DR9	*1-564-337-00	PIN, CONNECTOR 3P	Q107	8-729-142-01	TRANSISTOR 2SC1941-LK
DR10	*1-564-705-41	PIN, CONNECTOR 3P			

Note: The components identified by mark **△** or dotted line with mark **△** are critical for safety. Replace only with part number specified.

Ref.No.	Part No.	Description	Ref.No.	Part No.	Description
Q108	8-729-142-01	TRANSISTOR 2SC1941-LK	R112	1-249-673-11	CARBON 1K 5% 1/2W
Q109	8-729-203-45	TRANSISTOR 2SC3423	R113	1-214-937-00	CARBON 1M 5% 1/2W
Q110	8-729-209-17	TRANSISTOR 2SA1360	R114	1-247-717-11	CARBON 2.2K 5% 1/4W
Q111	8-729-127-53	TRANSISTOR 2SC2275-P	R115	1-249-798-11	CARBON 680 5% 1/2W
Q112	8-729-119-78	TRANSISTOR 2SC2785-HFE	R116	1-249-824-11	CARBON 8.2K 5% 1/2W
Q113	8-729-201-56	TRANSISTOR 2SK246-GR2	R117	1-249-661-11	CARBON 330 5% 1/2W
Q114	8-729-119-78	TRANSISTOR 2SC2785-HFE	R118	1-249-799-11	CARBON 750 5% 1/2W
Q115	8-729-141-03	TRANSISTOR 2SA733-QP	R119	1-249-799-11	CARBON 750 5% 1/2W
Q116	8-729-201-56	TRANSISTOR 2SK246-GR2	R120	1-247-747-11	CARBON 470 5% 1/2W
Q117	8-729-141-03	TRANSISTOR 2SA733-QP	R121	1-247-764-11	CARBON 10K 5% 1/2W
Q118	8-729-190-53	TRANSISTOR 2SA985A	R122	1-249-677-11	CARBON 1.5K 5% 1/2W
Q151	8-729-201-56	TRANSISTOR 2SK246-GR2	R123	1-249-677-11	CARBON 1.5K 5% 1/2W
Q153	8-729-203-45	TRANSISTOR 2SC3423	R124	1-259-571-11	CARBON 4.7K 1% 1/2W
Q154	8-759-108-01	TRANSISTOR UPA68HA-M	R125	1-247-739-11	CARBON 100 5% 1/2W
Q155	8-729-209-17	TRANSISTOR 2SA1360	R126	1-249-641-11	CARBON 47 5% 1/2W
Q156	8-729-209-17	TRANSISTOR 2SA1360	R127	1-249-641-11	CARBON 47 5% 1/2W
Q157	8-729-142-01	TRANSISTOR 2SC1941-LK	R128	1-246-545-00	CARBON 1M 5% 1/4W
Q158	8-729-142-01	TRANSISTOR 2SC1941-LK	R129	1-249-512-11	CARBON 22 5% 1/4W
Q159	8-729-203-45	TRANSISTOR 2SC3423	R130	1-249-465-11	CARBON 47K 5% 1/4W
Q160	8-729-209-17	TRANSISTOR 2SA1360	R131	1-249-465-11	CARBON 47K 5% 1/4W
Q201	8-729-214-73	TRANSISTOR 2SK147-V	R132	1-249-497-11	CARBON 33K 5% 1/4W
Q202	8-729-805-05	TRANSISTOR 2SC3601	R133	1-247-721-11	CARBON 4.7K 5% 1/4W
Q203	8-729-119-78	TRANSISTOR 2SC2785-HFE	R134	1-247-739-11	CARBON 100 5% 1/2W
Q204	8-729-201-56	TRANSISTOR 2SK246-GR2	R135	1-259-476-11	CARBON 100K 5% 1/6W
Q209	8-729-214-73	TRANSISTOR 2SK147-V	R136	1-249-547-11	CARBON 620 5% 1/4W
Q251	8-729-214-73	TRANSISTOR 2SK147-V	R137	1-259-547-11	CARBON 470 1% 1/2W
Q252	8-729-805-05	TRANSISTOR 2SC3601	R138	1-249-547-11	CARBON 620 5% 1/4W
Q253	8-729-119-78	TRANSISTOR 2SC2785-HFE	R143	1-249-469-11	CARBON 100K 5% 1/4W
Q254	8-729-201-56	TRANSISTOR 2SK246-GR2	R144	1-247-707-11	CARBON 390 5% 1/4W
Q259	8-729-214-73	TRANSISTOR 2SK147-V	R145	1-247-717-11	CARBON 2.2K 5% 1/4W
Q601	8-729-194-57	TRANSISTOR 2SC945-P	R146	1-247-704-11	CARBON 220 5% 1/4W
Q602	8-729-141-03	TRANSISTOR 2SA733-QP	R147	1-247-725-11	CARBON 10K 5% 1/4W
Q603	8-729-141-03	TRANSISTOR 2SA733-QP	R148	1-247-723-11	CARBON 6.8K 5% 1/4W
Q604	8-729-194-57	TRANSISTOR 2SC945-P	R150	1-249-469-11	CARBON 100K 5% 1/4W
Q605	8-729-140-96	TRANSISTOR 2SD774-34	R151	1-246-545-00	CARBON 1M 5% 1/4W
Q607	8-729-194-57	TRANSISTOR 2SC945-P	R152	1-246-545-00	CARBON 1M 5% 1/4W
Q901	8-729-900-36	TRANSISTOR DTC124ES	R153	1-246-545-00	CARBON 1M 5% 1/4W
Q902	8-729-119-78	TRANSISTOR 2SC2785-HFE	R154	1-246-545-00	CARBON 1M 5% 1/4W
Q903	8-729-620-05	TRANSISTOR 2SC2603-EF	R155	1-246-545-00	CARBON 1M 5% 1/4W
Q904	8-729-900-80	TRANSISTOR DTC114ES	R156	1-247-713-11	CARBON 1K 5% 1/4W
Q905	8-729-900-61	TRANSISTOR DTA114ES	R157	1-247-713-11	CARBON 1K 5% 1/4W
Q906	8-729-900-61	TRANSISTOR DTA114ES	R158	1-247-713-11	CARBON 1K 5% 1/4W
Q912	8-729-119-77	TRANSISTOR 2SA1175-FEK	R159	1-247-713-11	CARBON 1K 5% 1/4W
Q913	8-729-900-61	TRANSISTOR DTA114ES	R160	1-247-713-11	CARBON 1K 5% 1/4W
R100	1-249-469-11	CARBON 100K 5% 1/4W	R161	1-246-545-00	CARBON 1M 5% 1/4W
R101	1-246-545-00	CARBON 1M 5% 1/4W	R162	1-249-673-11	CARBON 1K 5% 1/2W
R102	1-246-545-00	CARBON 1M 5% 1/4W	R163	1-214-937-00	CARBON 1M 5% 1/2W
R103	1-246-545-00	CARBON 1M 5% 1/4W	R164	1-247-717-11	CARBON 2.2K 5% 1/4W
R104	1-246-545-00	CARBON 1M 5% 1/4W	R165	1-249-798-11	CARBON 680 5% 1/2W
R105	1-246-545-00	CARBON 1M 5% 1/4W	R166	1-249-824-11	CARBON 8.2K 5% 1/2W
R106	1-247-713-11	CARBON 1K 5% 1/4W	R167	1-249-661-11	CARBON 330 5% 1/2W
R107	1-247-713-11	CARBON 1K 5% 1/4W	R168	1-249-670-91	CARBON 750 5% 1/2W
R108	1-247-713-11	CARBON 1K 5% 1/4W	R169	1-249-670-91	CARBON 750 5% 1/2W
R109	1-247-713-11	CARBON 1K 5% 1/4W	R170	1-247-747-11	CARBON 470 5% 1/2W
R110	1-247-700-11	CARBON 100 5% 1/4W	R171	1-247-764-11	CARBON 10K 5% 1/2W
R111	1-246-545-00	CARBON 1M 5% 1/4W	R172	1-249-677-11	CARBON 1.5K 5% 1/2W
			R173	1-249-677-11	CARBON 1.5K 5% 1/2W

Note: The component identified by mark Δ or Δ is critical for safety.
Please use only with part number specified.

Ref.No.	Part No.	Description										
R174	1-259-571-11	CARBON	4.7K	1%	1/2W							
R175	1-247-739-11	CARBON	100	5%	1/2W							
R176	1-249-641-11	CARBON	47	5%	1/2W							
R177	1-249-641-11	CARBON	47	5%	1/2W							
R178	1-246-545-00	CARBON	1M	5%	1/4W							
R179	1-249-512-11	CARBON	22	5%	1/4W							
R180	1-249-465-11	CARBON	47K	5%	1/4W							
R181	1-249-465-11	CARBON	47K	5%	1/4W							
R182	1-249-497-11	CARBON	33K	5%	1/4W							
R183	1-247-721-11	CARBON	4.7K	5%	1/4W							
R184	1-247-739-11	CARBON	100	5%	1/2W							
R185	1-259-476-11	CARBON	100K	5%	1/6W							
R186	1-249-547-11	CARBON	620	5%	1/4W							
R187	1-259-547-11	CARBON	470	1%	1/2W							
R188	1-249-547-11	CARBON	620	5%	1/4W							
R195	1-247-717-11	CARBON	2.2K	5%	1/4W							
R196	1-247-704-11	CARBON	220	5%	1/4W							
R197	1-247-725-11	CARBON	10K	5%	1/4W							
R198	1-249-577-11	CARBON	11K	5%	1/4W							
R201	1-249-465-11	CARBON	47K	5%	1/4W							
R202	1-247-706-11	(AEP,E)...CARBON	330	5%	1/4W							
R203	1-247-713-11	CARBON	1K	5%	1/4W							
R204	1-247-700-11	CARBON	100	5%	1/4W							
R205	1-247-128-00	CARBON	750	5%	1/4W							
R206	1-247-128-00	CARBON	750	5%	1/4W							
R207	1-249-512-11	CARBON	22	5%	1/4W							
R208	1-247-708-11	CARBON	470	5%	1/4W							
R209	1-249-518-11	CARBON	39	5%	1/4W							
R210	1-247-704-11	CARBON	220	5%	1/4W							
R211	1-247-721-11	CARBON	4.7K	5%	1/4W							
R212	1-246-545-00	CARBON	1M	5%	1/4W							
R213	1-249-843-11	CARBON	51K	1%	1/2W							
R214	1-247-144-00	CARBON	3.6K	1%	1/4W							
R215	1-249-818-11	CARBON	4.7K	1%	1/2W							
R217	1-259-501-11	CARBON	6.8	5%	1/2W							
R218	1-247-739-11	CARBON	100	5%	1/2W							
R219	1-247-704-11	CARBON	220	5%	1/4W							
R220	1-249-417-11	(WG)...CARBON	1K	5%	1/4W							
R221	1-249-417-11	(WG)...CARBON	1K	5%	1/4W							
R223	1-217-481-00	FUSIBLE	10	5%	1W	F						
R251	1-249-465-11	CARBON	47K	5%	1/4W							
R252	1-247-706-11	(AEP,E)...CARBON	330	5%	1/4W							
R253	1-247-713-11	CARBON	1K	5%	1/4W							
R254	1-247-700-11	CARBON	100	5%	1/4W							
R255	1-247-128-00	CARBON	750	5%	1/4W							
R256	1-247-128-00	CARBON	750	5%	1/4W							
R257	1-249-512-11	CARBON	22	5%	1/4W							
R258	1-247-708-11	CARBON	470	5%	1/4W							
R259	1-249-518-11	CARBON	39	5%	1/4W							
R260	1-247-704-11	CARBON	220	5%	1/4W							
R261	1-247-721-11	CARBON	4.7K	5%	1/4W							
R262	1-246-545-00	CARBON	1M	5%	1/4W							
R263	1-249-843-11	CARBON	51K	1%	1/2W							
R264	1-247-144-00	CARBON	3.6K	1%	1/4W							
R265	1-249-818-11	CARBON	4.7K	1%	1/2W							
R267	1-259-501-11	CARBON	6.8	5%	1/2W							
R268	1-247-739-11	CARBON	100	5%	1/2W							
R269	1-247-704-11	CARBON	220	5%	1/4W							
R270	1-249-417-11	(WG)...CARBON	1K	5%	1/4W							
R271	1-249-417-11	(WG)...CARBON	1K	5%	1/4W							
R273	1-217-481-00	FUSIBLE	10	5%	1W	F						
R302	1-247-721-11	CARBON	4.7K	5%	1/4W							
R303	1-249-598-00	CARBON	680	5%	1/4W							
R304	1-247-716-11	CARBON	1.8K	5%	1/4W							
R305	1-247-128-00	CARBON	750	5%	1/4W							
R306	1-249-577-11	CARBON	11K	5%	1/4W							
R307	1-247-138-00	CARBON	2K	5%	1/4W							
R309	1-249-577-11	CARBON	11K	5%	1/4W							
R310	1-259-502-11	CARBON	4.7M	5%	1/4W							
R311	1-259-502-11	CARBON	4.7M	5%	1/4W							
R312	1-259-502-11	CARBON	4.7M	5%	1/4W							
R313	1-259-502-11	CARBON	4.7M	5%	1/4W							
R314	1-259-502-11	CARBON	4.7M	5%	1/4W							
R315	1-259-502-11	CARBON	4.7M	5%	1/4W							
R316	1-247-152-00	CARBON	8.2K	5%	1/4W							
R317	1-249-469-11	CARBON	100K	5%	1/4W							
R352	1-249-465-11	CARBON	47K	5%	1/4W							
R353	1-247-152-00	CARBON	8.2K	5%	1/4W							
R354	1-247-716-11	CARBON	1.8K	5%	1/4W							
R355	1-247-128-00	CARBON	750	5%	1/4W							
R356	1-249-577-11	CARBON	11K	5%	1/4W							
R357	1-247-138-00	CARBON	2K	5%	1/4W							
R359	1-249-577-11	CARBON	11K	5%	1/4W							
R360	1-259-502-11	CARBON	4.7M	5%	1/4W							
R361	1-259-502-11	CARBON	4.7M	5%	1/4W							
R362	1-259-502-11	CARBON	4.7M	5%	1/4W							
R363	1-259-502-11	CARBON	4.7M	5%	1/4W							
R364	1-259-502-11	CARBON	4.7M	5%	1/4W							
R365	1-259-502-11	CARBON	4.7M	5%	1/4W							
R366	1-247-152-00	CARBON	8.2K	5%	1/4W							
R367	1-249-469-11	CARBON	100K	5%	1/4W							
R402	1-247-725-11	CARBON	10K	5%	1/4W							
R403	1-247-721-11	CARBON	4.7K	5%	1/4W							
R405	1-247-725-11	CARBON	10K	5%	1/4W							
R406	1-247-725-11	CARBON	10K	5%	1/4W							
R407	1-246-545-00	CARBON	1M	5%	1/4W							
R408	1-247-725-11	CARBON	10K	5%	1/4W							
R409	1-247-725-11	CARBON	10K	5%	1/4W							
R410	1-247-721-11	CARBON	4.7K	5%	1/4W							
R411	1-246-545-00	CARBON	1M	5%	1/4W							
R412	1-249-547-11	CARBON	620	5%	1/4W							
R413	1-212-857-00	FUSIBLE	10	5%	1/4W	F						
R414	1-212-857-00	FUSIBLE	10	5%	1/4W	F						
R415	1-212-857-00	FUSIBLE	10	5%	1/4W	F						
R416	1-212-857-00	FUSIBLE	10	5%	1/4W	F						
R417	1-249-547-11	CARBON	22	5%	1/4W							
R452	1-247-725-11	CARBON	10K	5%	1/4W							
R453	1-247-721-11	CARBON	4.7K	5%	1/4W							
R455	1-247-725-11	CARBON	10K	5%	1/4W							
R456	1-247-725-11	CARBON	10K	5%	1/4W							
R457	1-246-545-00	CARBON	1M	5%	1/4W							
R458	1-247-725-11	CARBON	10K	5%	1/4W							
R459	1-247-725-11	CARBON	10K	5%	1/4W							
R460	1-247-721-11	CARBON	4.7K	5%	1/4W							
R461	1-246-545-00	CARBON	1M	5%	1/4W							
R462	1-249-547-11	CARBON	620	5%	1/4W							

Note: The components identified by mark Δ or dotted line with mark Δ are critical for safety. Replace only with part number specified.

Ref.No.	Part No.	Description	Ref.No.	Part No.	Description
R601	1-247-717-11	CARBON 2.2K 5% 1/4W	R949	1-247-710-11	CARBON 560 5% 1/4W
R602	1-249-465-11	CARBON 47K 5% 1/4W	R950	1-247-708-11	CARBON 470 5% 1/4W
R603	1-247-721-11	CARBON 4.7K 5% 1/4W	R951	1-249-429-11	CARBON 10K 5% 1/4W
R604	1-249-468-11	CARBON 82K 5% 1/4W	R952	1-249-441-11	CARBON 100K 5% 1/4W
R605	1-247-717-11	CARBON 2.2K 5% 1/4W	R953	1-249-393-11	CARBON 10 5% 1/4W
R606	1-247-721-11	CARBON 4.7K 5% 1/4W	R954	1-247-706-11	CARBON 330 5% 1/4W
R607	1-247-116-00	CARBON 240 5% 1/4W	R955	1-249-399-11	CARBON 33 5% 1/4W
R608	1-249-462-11	CARBON 22K 5% 1/4W	R956	1-247-706-11	CARBON 330 5% 1/4W
R609	1-249-465-11	CARBON 47K 5% 1/4W	R957	1-249-429-11	CARBON 10K 5% 1/4W
R612	1-247-721-11	CARBON 4.7K 5% 1/4W	R958	1-249-429-11	CARBON 10K 5% 1/4W
R613	1-247-725-11	CARBON 10K 5% 1/4W	RV301	1-241-187-11	RES, VAR, CARBON 250K/250K (BALANCE)
R614	1-249-462-11	CARBON 22K 5% 1/4W	RV302	1-241-189-11	RES, VAR, CARBON 25K/100K (TREBLE)
R615	1-246-435-00	CARBON 27 5% 1/4W	RV303	1-241-188-11	RES, VAR, CARBON 25K/250K (BASS)
R616	1-247-721-11	CARBON 4.7K 5% 1/4W	RV304	1-241-186-11	RES, VAR, CARBON 60K/60K (ATTENUATOR)
R901	1-249-433-11	CARBON 22K 5% 1/4W	RY101	1-515-787-11	RELAY
R902	1-249-433-11	CARBON 22K 5% 1/4W	RY102	1-515-725-11	RELAY
R903	1-249-433-11	CARBON 22K 5% 1/4W	RY103	1-515-725-11	RELAY
R904	1-249-433-11	CARBON 22K 5% 1/4W	RY401	1-515-725-11	RELAY
R905	1-249-433-11	CARBON 22K 5% 1/4W	RY601	Δ 1-515-617-11	RELAY
R906	1-249-433-11	CARBON 22K 5% 1/4W	RY901	1-515-725-11	RELAY
R907	1-249-433-11	CARBON 22K 5% 1/4W	RY902	1-515-725-11	RELAY
R908	1-249-417-11	CARBON 1K 5% 1/4W	S101	1-572-096-21	SWITCH, ROTARY (WITH MOTOR) (INPUT SELECTOR)
R909	1-249-429-11	CARBON 10K 5% 1/4W	S102	1-570-076-11	SWITCH, SLIDE (REMOTE TYPE) (REC OUT SELECTOR)
R910	1-247-887-00	CARBON 220K 5% 1/4W	S104	1-572-095-11	SWITCH, ROTARY (ATTENUATOR)
R911	1-249-441-11	CARBON 100K 5% 1/4W	S201	1-554-019-21	SWITCH, SLIDE (REMOTE TYPE) (CARTRIDGE LOAD)
R912	1-249-441-11	CARBON 100K 5% 1/4W	S302	1-572-428-11	SWITCH, PUSH (2 KEY)(SUBSONIC)
R913	1-247-895-00	CARBON 470K 5% 1/4W	S304	1-572-429-11	SWITCH, PUSH (2 KEY)(SOURCE DIRECT) (ADAPTOR)
R914	1-249-425-11	CARBON 4.7K 5% 1/4W	S305	1-572-427-11	SWITCH, PUSH (2 KEY)(TURNOVER)
R915	1-249-430-11	CARBON 12K 5% 1/4W	S306	1-572-427-11	SWITCH, PUSH (2 KEY)(TURNOVER)
R916	1-249-405-11	CARBON 100 5% 1/4W	S307	1-572-428-11	SWITCH, PUSH (2 KEY)(MODE)
R917	1-247-903-00	CARBON 1M 5% 1/4W	S308	1-572-426-11	SWITCH, PUSH (1 KEY)(OUTPUT)
R918	1-249-429-11	CARBON 10K 5% 1/4W	S401	1-570-358-11	SWITCH, SLIDE (CD INPUT SELEC)
R919	1-249-429-11	CARBON 10K 5% 1/4W	S901	1-554-303-21	SWITCH, KEY BOARD (POWER)
R920	1-249-425-11	CARBON 4.7K 5% 1/4W	S902	1-554-303-21	SWITCH, KEY BOARD (MUTING)
R921	1-249-429-11	CARBON 10K 5% 1/4W	S951	Δ 1-571-309-11	(E)...SWITCH (VOLTAGE SELECTOR)
R922	1-249-425-11	CARBON 4.7K 5% 1/4W	T1	Δ 1-450-182-11	(AEP,WG)...TRANSFORMER, POWER
R923	1-249-425-11	CARBON 4.7K 5% 1/4W	T1	Δ 1-450-183-11	(E).....TRANSFORMER, POWER
R924	1-249-425-11	CARBON 4.7K 5% 1/4W	T2	Δ 1-450-184-11	(AEP,WG)...TRANSFORMER, POWER
R925	1-249-425-11	CARBON 4.7K 5% 1/4W	T2	Δ 1-450-185-11	(E).....TRANSFORMER, POWER
R926	1-249-413-11	CARBON 470 5% 1/4W	VH1	*1-564-321-11	(E)...PIN, CONNECTOR 2P
R927	1-249-429-11	CARBON 10K 5% 1/4W	VH2	*1-565-792-11	(E)...PIN, CONNECTOR 2P
R928	1-249-429-11	CARBON 10K 5% 1/4W	VH3	*1-564-321-00	PIN, CONNECTOR 2P
R929	1-249-429-11	CARBON 10K 5% 1/4W	VH4	*1-564-687-11	(E)...PIN, CONNECTOR 3P
R930	1-249-429-11	CARBON 10K 5% 1/4W	VH5	*1-565-792-11	(AEP,WG)...PIN, CONNECTOR 2P
R931	1-249-429-11	CARBON 10K 5% 1/4W	VH6	*1-564-104-00	PIN, CONNECTOR 3P
R932	1-249-421-11	CARBON 2.2K 5% 1/4W	VH7	*1-564-321-11	(E)...PIN, CONNECTOR 2P
R933	1-247-688-11	CARBON 10 5% 1/4W	VH10	*1-568-226-11	(AEP,WG)...PIN, CONNECTOR 2P
R934	1-247-688-11	CARBON 10 5% 1/4W	X901	1-577-260-21	VIBRATOR, CERAMIC
R935	1-249-429-11	CARBON 10K 5% 1/4W	<u>ACCESSORY & PACKING MATERIAL</u>		
R936	1-249-429-11	CARBON 10K 5% 1/4W	1-465-532-11	COMMANDER, REMOTE	
R937	1-249-429-11	CARBON 10K 5% 1/4W	1-558-787-31	CORD, CONNECTION	
R938	1-249-429-11	CARBON 10K 5% 1/4W	3-752-327-11	(AEP,E)...MANUAL, INSTRUCTION (ENGLISH, FRENCH, SPANISH, PORTUGUESE)	
R939	1-249-429-11	CARBON 10K 5% 1/4W	3-752-327-41	(AEP,WG)...MANUAL, INSTRUCTION (DUTCH, SWEDISH, ITALIAN)	
R940	1-249-399-11	CARBON 33 5% 1/4W	*4-933-001-01	CUSHION	
R941	1-249-441-11	CARBON 100K 5% 1/4W	*4-941-753-01	INDIVIDUAL CARTON	
R942	1-249-429-11	CARBON 10K 5% 1/4W			
R943	1-249-401-11	CARBON 47 5% 1/4W			
R944	1-249-417-11	CARBON 1K 5% 1/4W			
R945	1-249-441-11	CARBON 100K 5% 1/4W			
R946	1-249-441-11	CARBON 100K 5% 1/4W			
R947	1-249-441-11	CARBON 100K 5% 1/4W			
R948	1-249-441-11	CARBON 100K 5% 1/4W			

English

90H0555-1

Printed in Japan

© 1990. 8

TA-E80ES

SONY® SERVICE MANUAL

US Model
Canadian Model
AEP Model
E Model

SUPPLEMENT-1

File this supplement with the service manual.


The gold color version is added to the TA-E80ES(AEP model) released lately, and therefore only the added parts are described. For the other parts, see TA-E80ES Service Manual(9-956-038-12).


SECTION 4 EXPLODED VIEWS (Service Manual See page 19~22)

(1) CABINET SECTION (Service Manual See page 19)

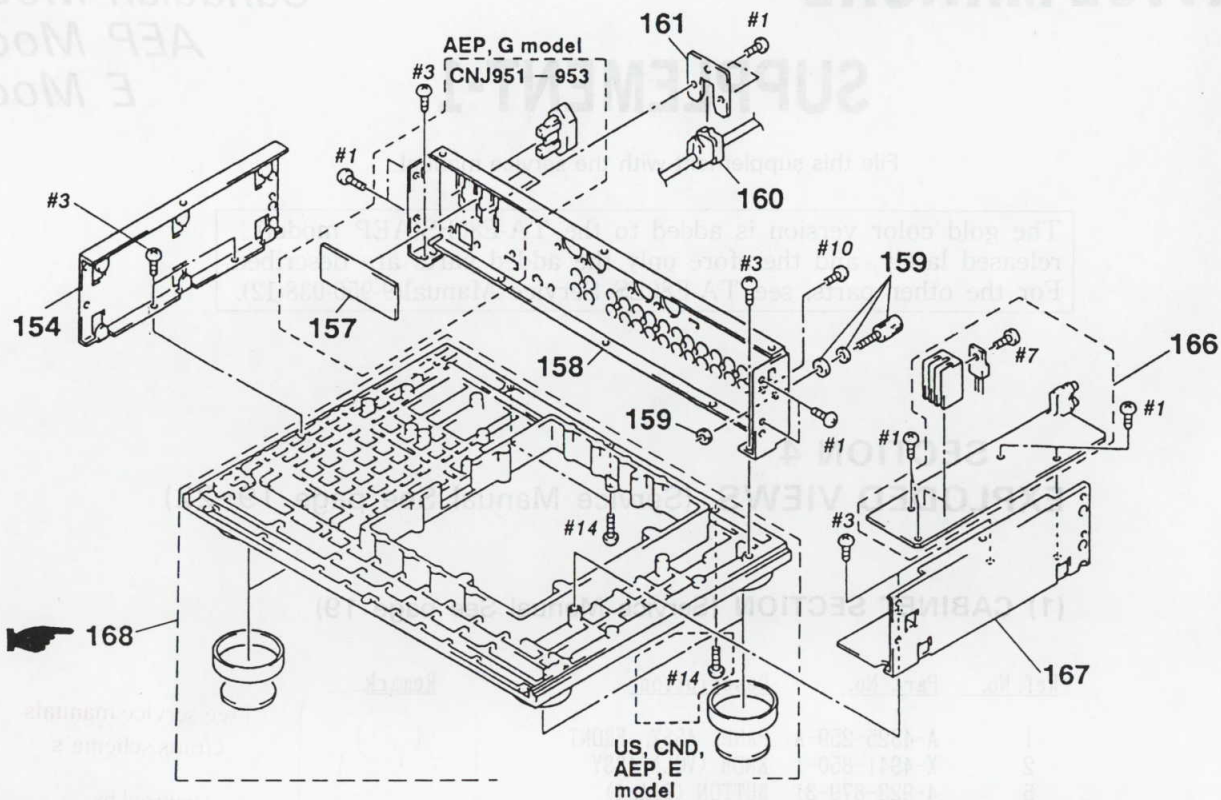
Ref. No.	Part No.	Description	Remark
1	A-4325-259-A	PANEL ASSY, FRONT	 Free service manuals Gratis schema's Digitized by www.freeservicemanuals.info
2	X-4941-850-1	KNOB (VOL) ASSY	
5	4-923-879-31	BUTTON (DIA. 4)	
6	4-915-338-51	KNOB, SQUARE	
8	4-922-265-11	KNOB (FLAT-16)	
9	4-922-266-11	KNOB (ROUND-16)	
10	4-922-264-11	KNOB (FUN)	
11	X-4941-846-1	PANEL (L) ASSY, SIDE	
13	4-922-238-21	PLATE, TOP	
14	4-921-439-11	SCREW(M3×8), FLAT HEAD	
15	X-4941-847-1	PANEL (R) ASSY, SIDE	

(4) MAIN CHASSIS SECTION (Service Manual See page 22)

Ref. No.	Part No.	Description	Remark
158	* 4-922-260-31	PANEL, BACK	
161	* 4-923-873-11	BRACKET, CORD STOPPER	
168	X-4941-861-1	CHASSIS ASSY	

 : For this part only, see the disassembly drawing on the next page.

TA-E80ES



SECTION 5 ELECTRICAL PARTS LIST (Service Manual See page 29)

Ref. No.	Part No.	Description	Remark
D925	8-719-301-52	LED SEL2810A-C (TAPE1)	
D926	8-719-301-52	LED SEL2810A-C (TAPE2)	
D927	8-719-301-52	LED SEL2810A-C (TAPE3)	
D928	8-719-301-52	LED SEL2810A-C (AUX)	
D929	8-719-301-52	LED SEL2810A-C (CD)	
D930	8-719-301-52	LED SEL2810A-C (TUNER)	
D931	8-719-301-52	LED SEL2810A-C (PHONO)	

For this part only see the disassembly drawing on the next page.

TA-E80ES




SONY® SERVICE MANUAL

US Model
Canadian Model
AEP Model
E Model

SUPPLEMENT-2

File this supplement with the service manual.

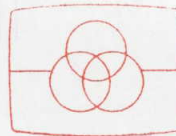
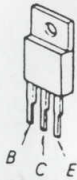
The parts numbers of service parts for the TA-E80ES have been changed. This manual covers the changed parts only. For the other parts, refer to the Service Manual (9-956-038-11) and the Supplement-1 (9-956-038-81).

 : changed portion  : added portion  : deleted portion

SECTION 3 DIAGRAMS

3-2. SEMICONDUCTOR LEAD LAYOUTS (Service Manual See page 9)

 2SA988-OP
2SC2275-P

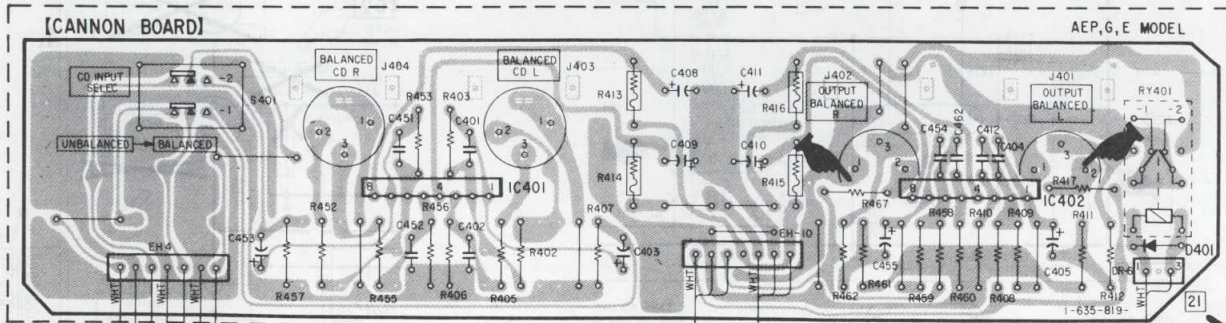


Free service manuals
Gratis schema's
Digitized by

www.freeservicemanuals.info

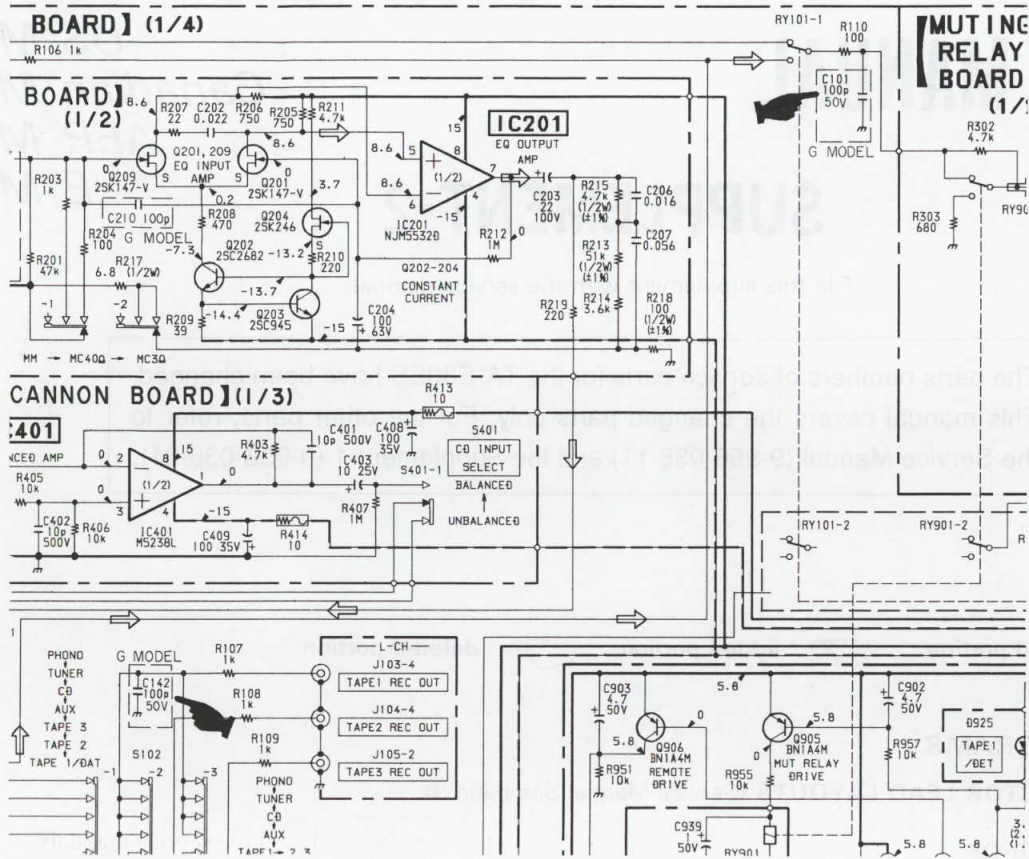
3-3. PRINTED WIRING BOARDS (Service Manual See page 10)

Location A-C, 1-8 • Same boards as those for US, Canadian are used.

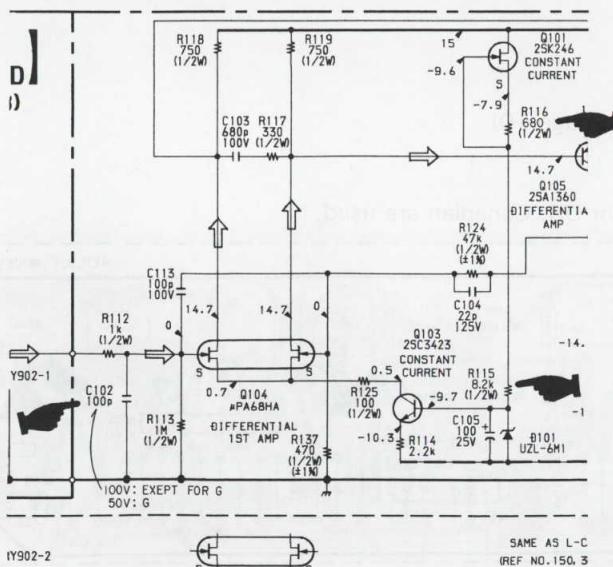


3-4. SCHEMATIC DIAGRAM (Service Manual See page 15~18)

Location A-F, 3-9

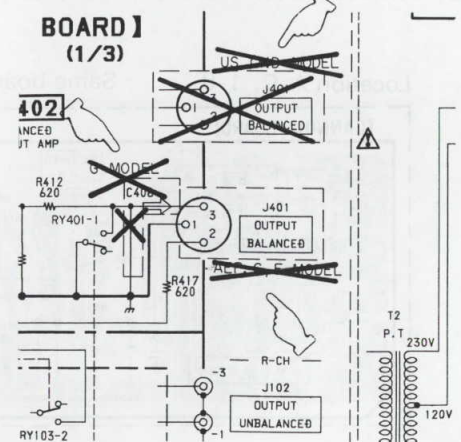


Location A-D, 18-21



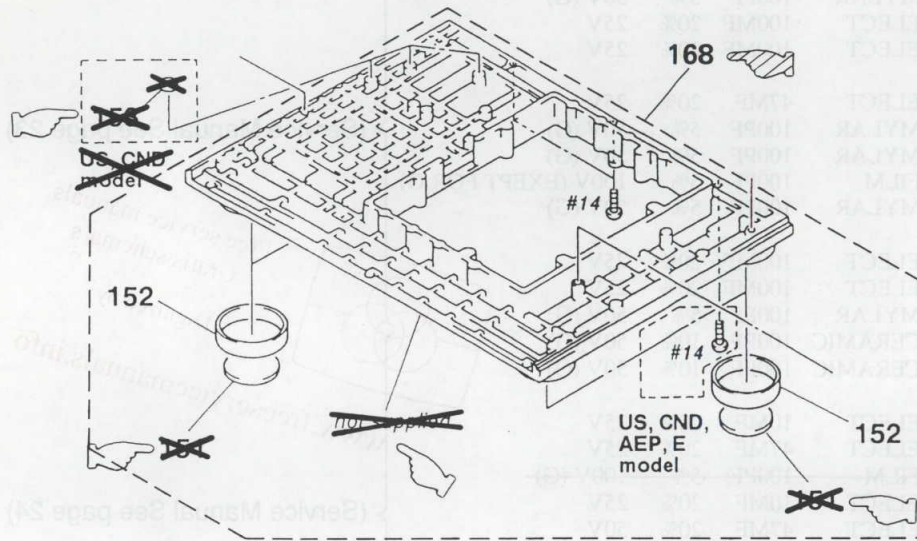
• Same circuits as those for US, Canadian are used.

Location D-F, 28-30



SECTION 4 EXPLODED VIEWS

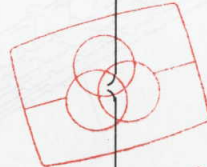
(4) MAIN CHASSIS SECTION (Service Manual See page 22)



No.	Part No.	Description	Remarks
	151	4-908-888-01	FOOT, TUNING
	152	4-944-056-01	SPACER (US, Canadian)
	168	X-4941-170-1	CHASSIS ASSY

SECTION 5 ELECTRICAL PARTS LIST

Ref.No.	Part No.	Description	Remarks
✎	C101	1-110-335-11 MYLAR 100PF 5% 50V (G)	} (Service Manual See page 23)
	C102	1-136-808-11 FILM 100PF 5% 100V (EXCEPT FOR G)	
✎	C102	1-110-335-11 MYLAR 100PF 5% 50V (G)	
	C105	1-124-122-11 ELECT 100MF 20% 25V	
	C120	1-124-122-11 ELECT 100MF 20% 25V	
✎	C130	1-124-910-11 ELECT 47MF 20% 25V	
	C142	1-110-335-11 MYLAR 100PF 5% 50V (G)	
	C151	1-110-335-11 MYLAR 100PF 5% 50V (G)	
	C152	1-136-808-11 FILM 100PF 5% 100V (EXCEPT FOR G)	
✎	C152	1-110-335-11 MYLAR 100PF 5% 50V (G)	
✎	C155	1-124-122-11 ELECT 100MF 20% 25V	} (Service Manual See page 24)
	C180	1-124-122-11 ELECT 100MF 20% 25V	
	C192	1-110-335-11 MYLAR 100PF 5% 50V (G)	
	C210	1-162-282-31 CERAMIC 100PF 10% 50V (G)	
	C260	1-162-282-31 CERAMIC 100PF 10% 50V (G)	
	C403	1-124-915-11 ELECT 10MF 20% 25V	
	C405	1-124-910-11 ELECT 47MF 20% 25V	
✎	C406	1-136-808-11 FILM 100PF 5% 100V (G)	
✎	C403	1-124-915-11 ELECT 10MF 20% 25V	
	C455	1-124-910-11 ELECT 47MF 20% 50V	
✎	C456	1-136-808-11 FILM 100PF 5% 100V (G)	
	C916	1-126-163-11 ELECT 4.7MF 20% 50V	
	C917	1-126-163-11 ELECT 4.7MF 20% 50V	
	DR10	1-564-705-11 PIN, CONNECTOR (SMALL TYPE) 3P	
	J105	1-566-883-31 JACK, PIN 6P	
	Q118	8-729-141-10 TRANSISTOR 2SA985-QP	} (Service Manual See page 25)
	R115	1-249-824-11 CARBON 8.2K 5% 1/2W	} (Service Manual See page 26)
	R116	1-249-798-11 CARBON 680 5% 1/2W	
	R165	1-249-824-11 CARBON 8.2K 5% 1/2W	
	R166	1-249-798-11 CARBON 680 5% 1/2W	
	R467	1-249-547-11 CARBON 620 5% 1/4W	
✎	C111	1-124-122-11 ELECT 100MF 20% 25V	} (Service Manual See page 27)
	C130	1-124-122-11 ELECT 100MF 20% 25V	
	C131	1-124-122-11 ELECT 100MF 20% 25V	
	C161	1-124-122-11 ELECT 100MF 20% 25V	
	C905	1-124-907-11 ELECT 10MF 20% 50V	
	C921	1-124-907-11 ELECT 10MF 20% 50V	} (Service Manual See page 28)
	C922	1-124-907-11 ELECT 10MF 20% 50V	
	C938	1-124-903-11 ELECT 1MF 20% 50V	
	C939	1-124-903-11 ELECT 1MF 20% 50V	
	R615	1-247-693-11 CARBON 27 5% 1/4W	} (Service Manual See page 30)
	S901	1-570-472-11 SWITCH, KEY BOARD (POWER)	} (Service Manual See page 31)
	S902	1-570-472-11 SWITCH, KEY BOARD (MUTING)	
		1-465-532-11 REMOTE COMMANDER (RM-808)(E)	
✎		1-465-877-11 REMOTE COMMANDER (RM-S808)(AEP, G, E)	



Free service manuals
Gratis schema's

Digitized by

www.freesevicemanuals.info