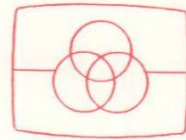


Service  
Service  
Service

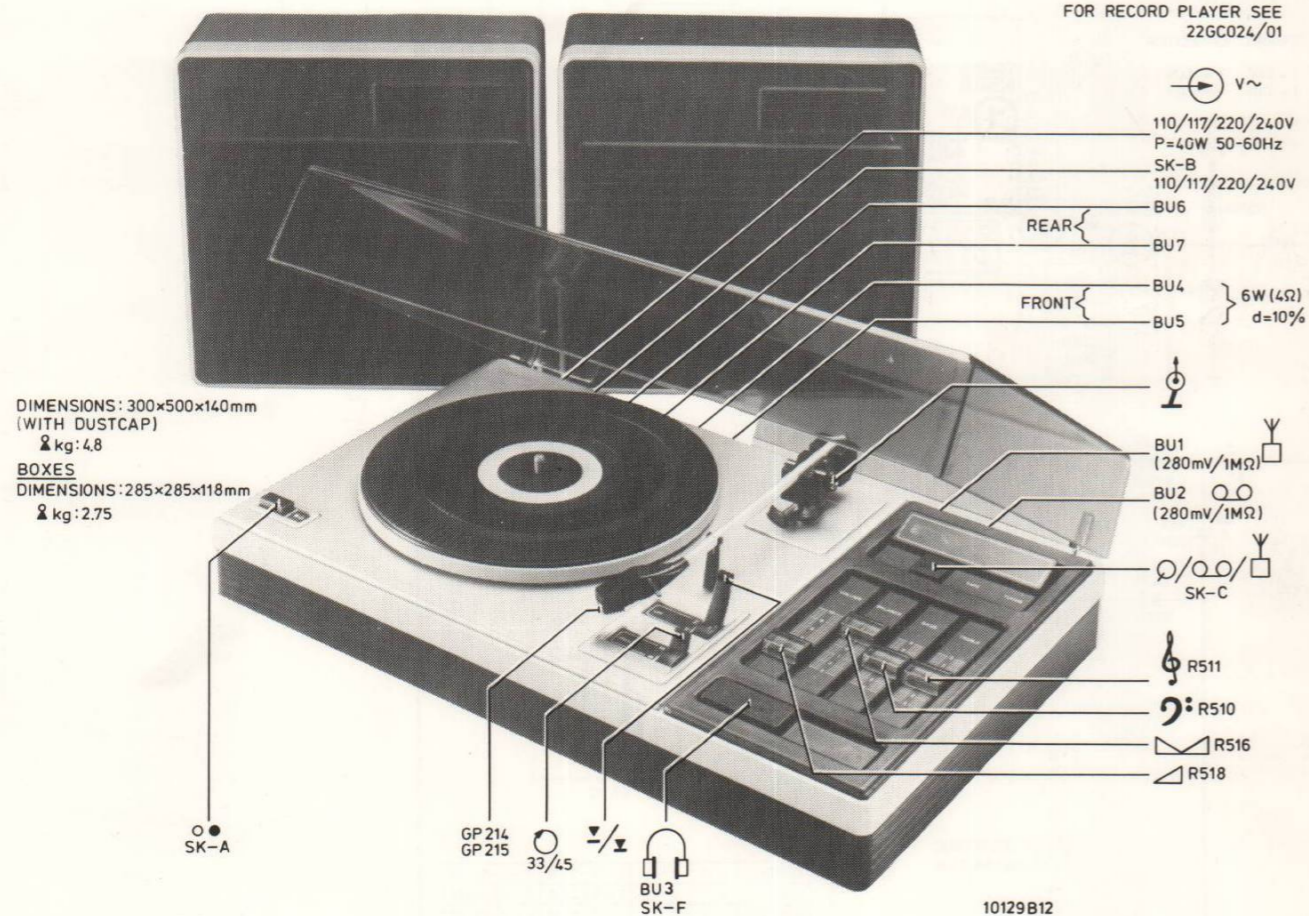


Free service manuals  
Gratis schema's

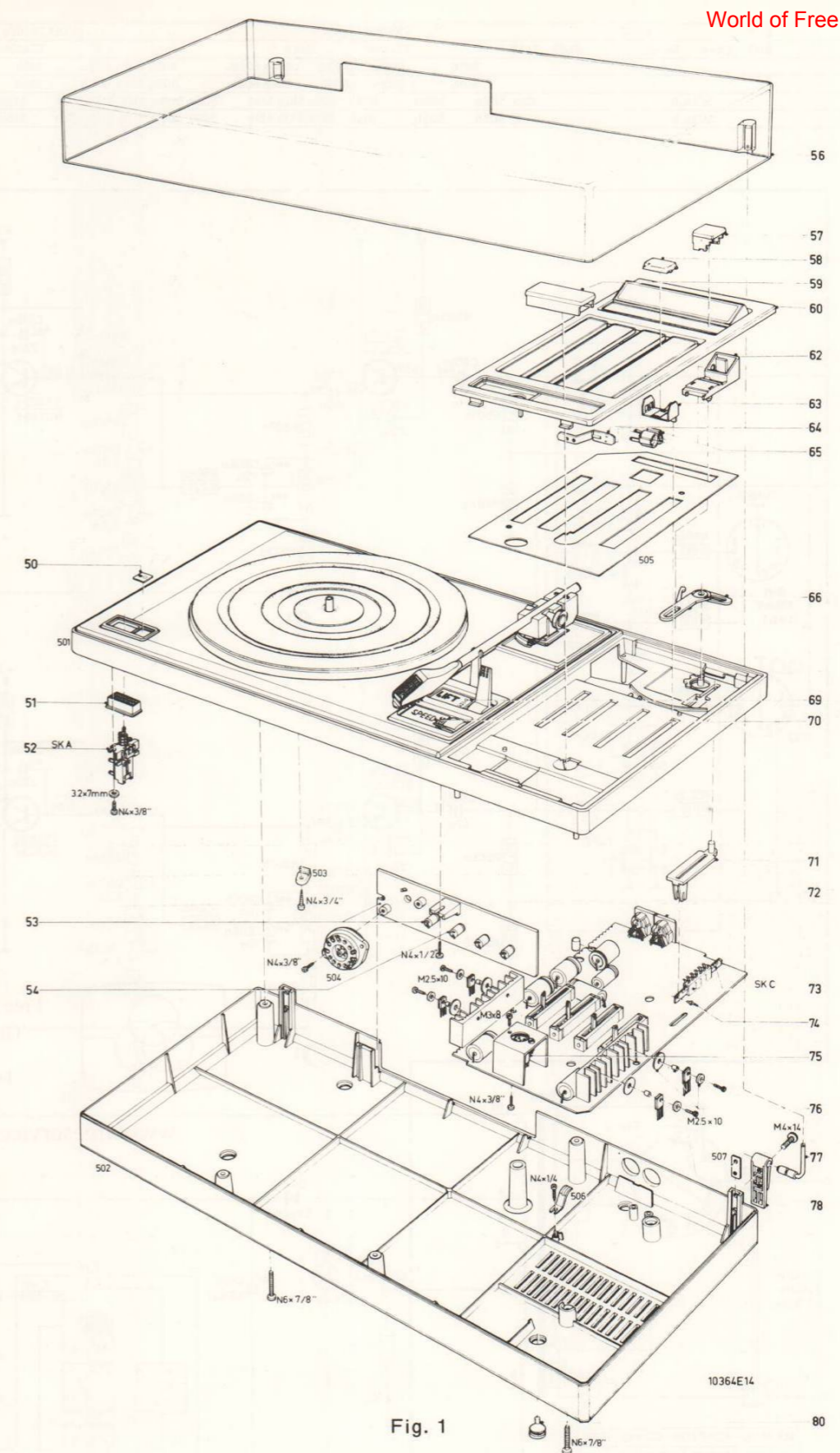
Digitized by

www.freesevicemanuals.info

# Service Manual



DIMENSIONS: 300x500x140mm  
(WITH DUSTCAP)  
kg: 4.8  
BOXES  
DIMENSIONS: 285x285x118mm  
kg: 2.75



50	4822 454 30252	62	4822 402 60476	74	4822 535 90892
51	4822 410 21786	63	4822 402 50135	75	4822 267 40192
52	4822 276 10519	64	4822 402 60477	76	4822 255 40115
53	4822 268 30043	65	4822 255 10007	77	4822 417 10543
54	4822 268 20032	66	4822 402 50133	78	4822 417 10545
56	4822 444 20177	69	4822 454 30254	80	4822 462 40227
57	4822 411 60346	70	4822 454 30253		
58	4822 381 10417	71	4822 402 50134		
59	4822 411 60386	72	4822 267 40209		
60	4822 459 80069	73	4822 277 30571		

Safety regulations require that the set be restored to its original condition and that parts which are identical with those specified, be used.

Documentation Technique Service Dokumentation Documentazione di Servizio Huolto-Ohje Manual de Servicio Manual de Servicio

Subject to modification

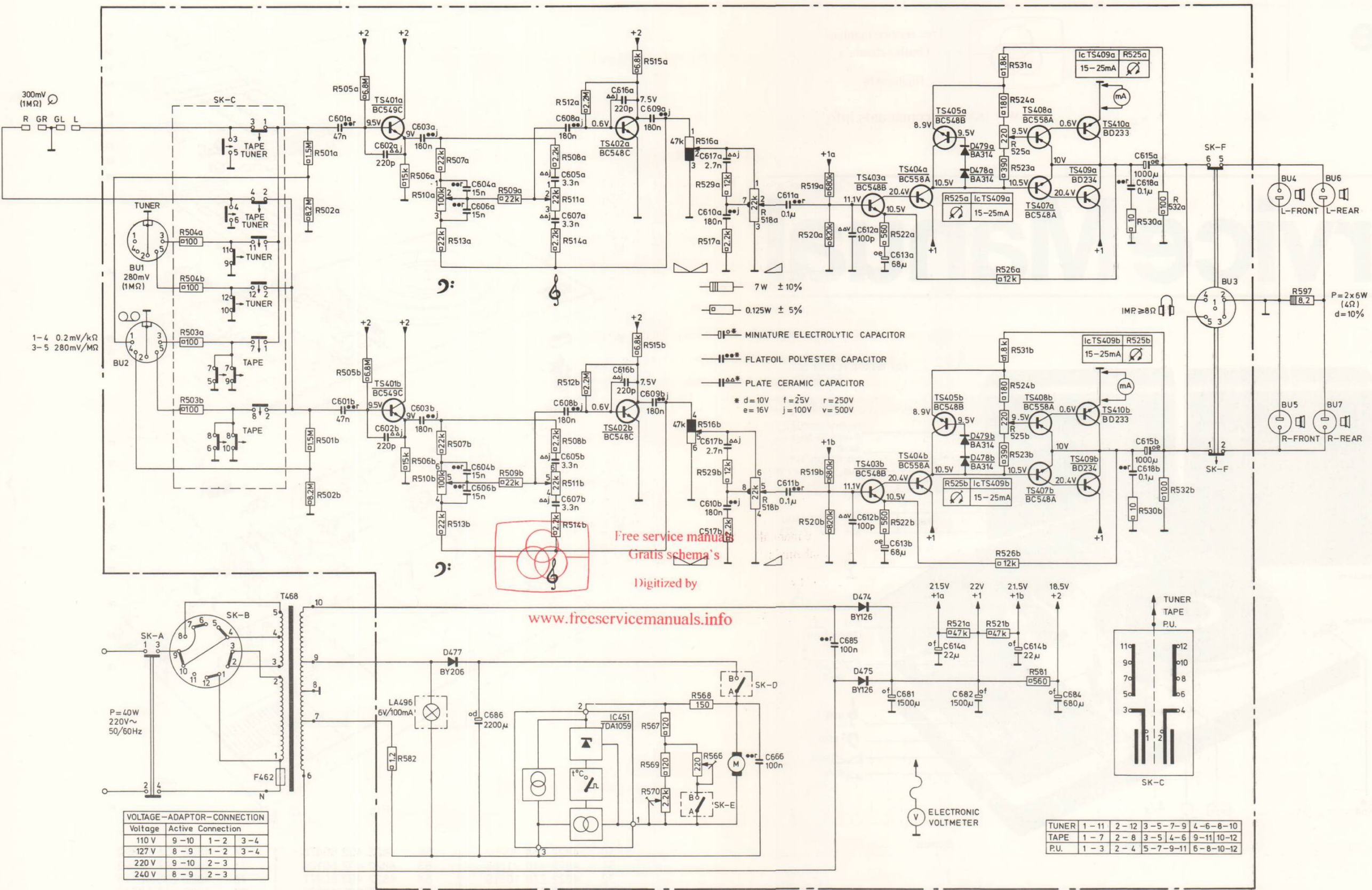
4822 726 11789

Printed in The Netherlands



# PHILIPS

MISC.	BU1	SK-C	TS401a,LA496		IC451,TS402a		SK-E,M	SK-D	TS403a...405a		D479a,478a	TS407a...410a		BU3	BU4	BU6	MISC.																	
MISC.	BU2	SK-A	SK-B	F462	T468	TS401b	D477	TS402b		D474,475		TS403b...405b	D479b,478b	TS407b...410b		SK-C	SK-F	BU5	BU7	MISC.														
C						601a	602a	603a	604a	605a	606a	607a	608a	609a	610a	611a	612a	613a	614a	615a	618a	619a												
C						601b	602b	603b	604b	605b	606b	607b	608b	609b	610b	611b	612b	613b	614b	615b	618b	619b												
R		504a,b		501a	502a	505a	506a	507a	510a	513a	509a	508a	511a	514a	512a	515a	566...570	516a	529a	517a	518a	519a	520a	522a	531a	523a...526a	530a	532a						
R		503a,b		501b	502b	505b	506b	507b	510b	513b	509b	508b	511b	514b	512b	515b		516b	529b	517b	518b	519b	520b	522b		521a,b	531b	523b...526b	581	530b	532b			597



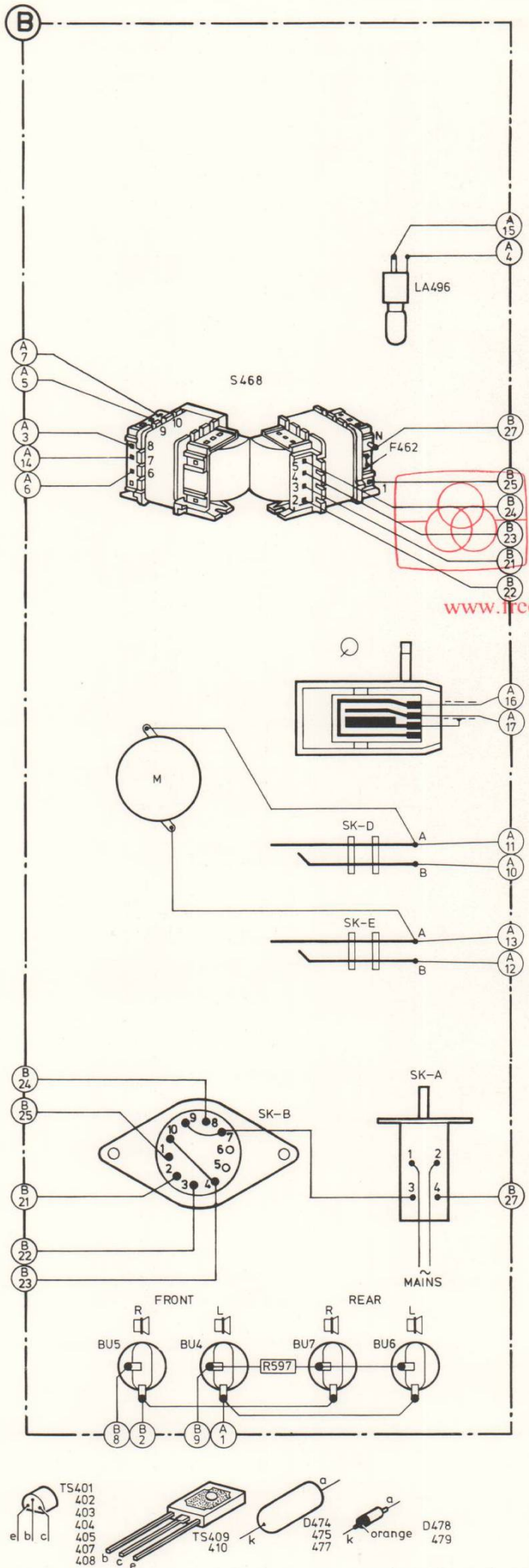
Free service manuals  
 Gratis schema's  
 Digitized by

www.freesevicemanuals.info

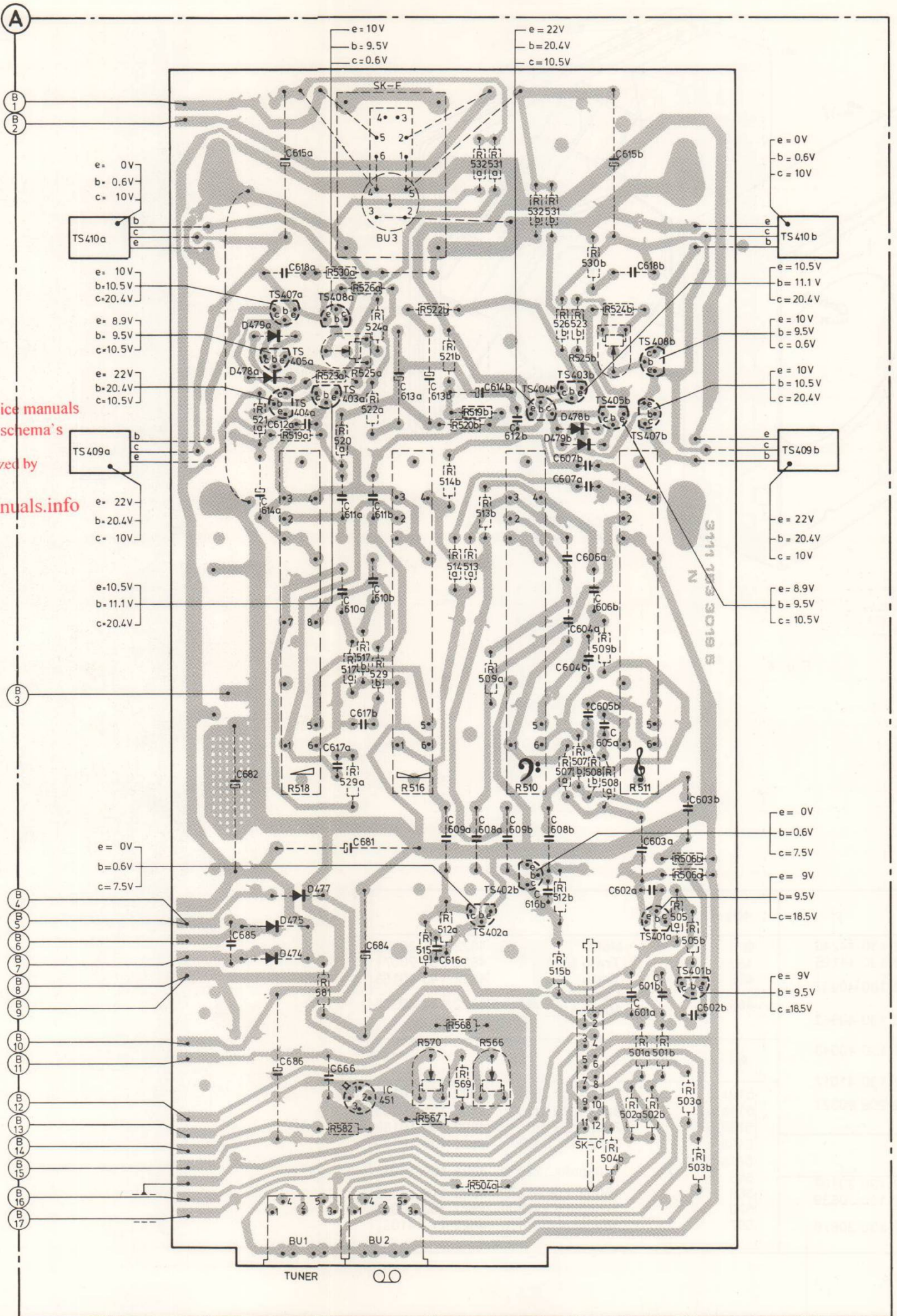
Voltage	Active	Connection
110 V	9-10	1-2 3-4
127 V	8-9	1-2 3-4
220 V	9-10	2-3
240 V	8-9	2-3

TUNER	1-11	2-12	3-5-7-9	4-6-8-10
TAPE	1-7	2-8	3-5	4-6 9-11 10-12
P.U.	1-3	2-4	5-7-9-11	6-8-10-12

Fig. 2

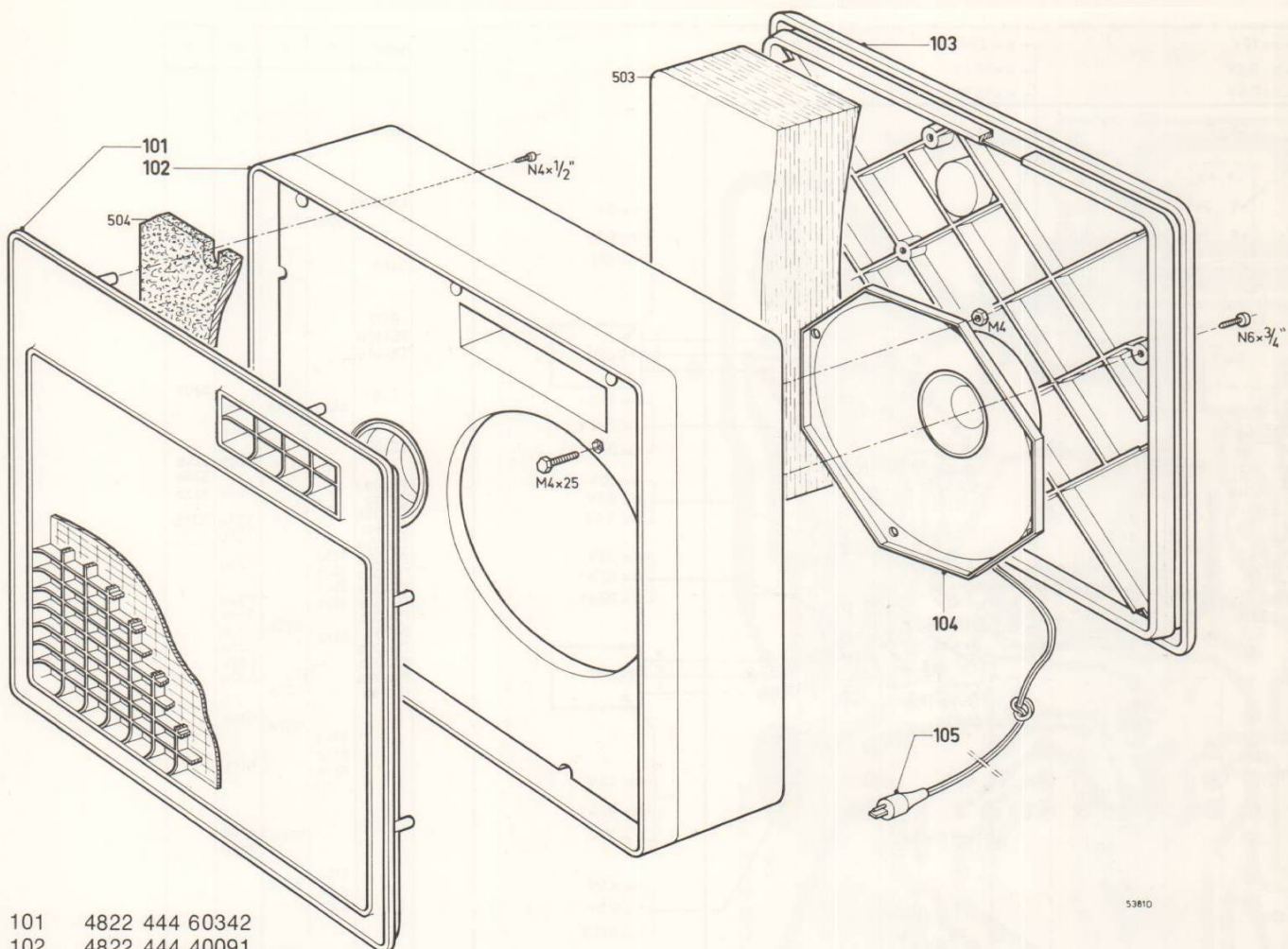


Free service manuals  
 Gratis schema's  
 Digitized by  
 www.freесervicemanuals.info





MISC.	C	C	R	R
SK-F				
LA496	615a	615b		532a 531a
S468				532b 531b
BU3				530b
TS410a				526a
TS410b				522b 524b 523b
F462	618a	618b	530a	525a 521b
TS407a				524a
TS408a				523a
D479a				522a
TS408b				519b
D478a				520b
TS405a	613a			521a
TS403a	613b			519a
TS404a	613b			520a
TS403b	612a			520a
TS407b	612a	612b		519a
D478b	612a			519a
TS405b	612a			520a
TS409a	612a			520a
TS409b	612a			520a
D479b	612b			520a
	607b			
	614a			
	611a			
	611b			
	606a			
	610b			
	610a			
	671			
	604a			
M	604a			509b
	604b			517b 517a
SK-D	604b			529b 509a
	611b			
	605b			
	605a			
SK-E	617a			507b 507a 508b 508a
	682			518 516
	672			510 511
	603b			
	609a			
	681			
	608b			
	608a			
	602a			
TS402b	609b			506b
D477	616b			506a
TS402a	616b			512b
TS401a	616a			505a
D475	685			512a
D474	684			515a
	601a	601a		505b
TS401b	601b	601b		515b
SK-A	601b	601b		
SK-B	602b			581
	686			568 501b 501a
	666			565
TS451				570 569
SK-C				503a 502a 502b
				567 582
				597
				504b
				503b
BU4				504a
BU5				
BU6				
BU7				
BU2				
BU1				

Fig. 3



- 101 4822 444 60342
- 102 4822 444 40091
- 103 4822 444 50258
- 104 4822 240 50094
- 105 4822 264 30041

Fig. 4

-TS-				-Miscellaneous-	
401a-401b	BC549C	5322 130 44246	M	Motor	4822 361 20131
402a-402b	BC548C	5322 130 44196	462	Trafo fuse	4822 252 20071
403a-403b	BC548B	4822 130 40937	468	Trafo	4822 145 40158
405a-405b			469	Lamp 6 V - 100 mA	4822 134 40326
404a-404b	BC558A	4822 130 40962			
408a-408b	BC548A	4822 130 40948			
406a-406b					
407a-407b	BD234/233 pair	4822 130 41017			
409a-410a					
409b-410b	I.C. TDA1059	4822 209 80321			
451					
-D-				-R-	
474-475	BY126	5322 130 30192	510a,b	2x100 kΩ (lin)	4822 105 10136
477	BY206	4822 130 30839	511a,b	2x22 kΩ (lin)	4822 105 10135
478a-478b	BA314	4822 130 30879	516a,b	2x47 kΩ (lin)	4822 105 10188
479a-479b			518a,b	2x17 K + 5 kΩ	4822 105 10189
			525a-525b	Trimptm. 220 Ω	4822 100 10019
			566		
			568	150 Ω 1/8 W 2%	5322 116 54486
			570	Trimptm. 2k2 Ω	4822 100 10029
			597	8E2 7 W	4822 112 41052

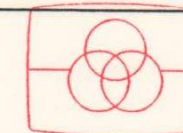
# Servicemededeling

PHILIPS NEDERLAND B.V. - EINDHOVEN  
TECHNISCHE SERVICE

Ref. Afsp. 241

Type 22 AF 471

Datum September 1977.



Free service manuals  
Gratis schema's  
Digitized by

www.freeservicemanuals.info

Betreft: IC TDA 1059.

In apparaten met stempeling LFO1-716 en hoger is het IC TDA 1059 vervangen door TDA 1059B.  
Bestelnummer 4822 209 80361.

Voor montagetekening zie fig. 1.

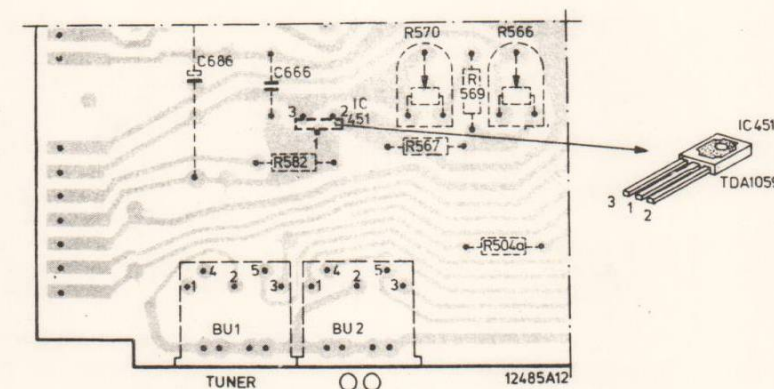


Fig. 1



# PHILIPS