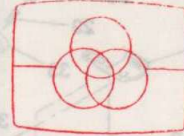


CCD-TR55E

SONY SERVICE MANUAL

AEP Model
UK Model
Australian Model
E Model



Free service manuals
Gratis schema's

Digitized by

www.freeservicemanuals.info

SUPPLEMENT-1

File this supplement with the service manual

This supplement is issued as the color of the cabinet previously was only black, but now a white cabinet version is added for AEP model only.

*Sorry,
NO MORE
Available*

No.	Part No.	Description	Remark	No.	Part No.	Description	Remark
1	A-7080-874-A	CABINET (LEFT) BLOCK ASSY (Australian)		17	A-1-837-817-S1	TERMINAL BOARD, BATTERY	
2	3-738-388-01	BRACKET, BELT		18	A-1-838-841-S1	LIM, IC	
3	3-738-360-01	BOHIT, LR		19	X-3738-386-1	PANEL ASSY, F (E, Australian Model)	20
4	3-889-880-11	+ P1PM 5		20	X-3738-380-1	PANEL ASSY, F (AEP, UK Model) (BLACK)	20
5	3-738-807-01	BELT, GRIP		20	X-3738-838-1	PANEL ASSY, F (WHITE)	20
6	3-738-358-01	COVER, DRUM		20	X-3738-314-1	GRILLE ASSY, MICROPHONE	
7	A-7081-012-B	CAP ASSY, LENS		21	3-738-567-01	COVER, 3.5 JACK (EARMPHONE/MIC)	
8	*3-738-986-01	LABEL, MODEL NUMBER (AEP Model)		22	1-845-158-11	MICROPHONE UNIT	
9	*3-740-515-01	LABEL, MODEL NUMBER (UK) (Australian)		23	3-738-801-01	PLATE, GROUND, MICROPHONE	
10	3-738-381-01	SCREW (MSX) (BLACK)		24	*A-7070-989-A	MA-3S BOARD, COMPLETE	
11	3-738-381-01	SCREW (MSX) (WHITE)		25	3-716-801-01	SCREW (BXS2), TAPPING	
12	3-738-850-01	COVER, JACK		26	X-3738-303-1	LID ASSY, BATTERY CASE (LITHIUM BLACK)	
13	3-718-888-31	SCREW (M1.7x4.5), SPECIAL HEAD		27	X-3738-340-1	LID ASSY, BATTERY CASE (LITHIUM WHITE)	
14	3-738-384-01	PLATE, GROUND, P3 SWITCH (Australian)		28	3-738-568-01	COVER, 3.5 JACK (REMOTE)	
15	3-738-388-01	KNOB, IN OUT (Australian Model)		29	1-837-145-11	TERMINAL BOARD (9901)	
16	1-830-888-11	JK-40 FLEXIBLE BOARD		30	3-878-521-00	SPRING, COMPRESSION	
				31	3-738-363-01	BUTTON, S/S	
				32	3-738-344-01	HOLDER, STAND-BY KNOB	
				33	3-738-384-01	SPRING	
				34	3-738-381-01	KNOB, STAND-BY (BLACK)	
				35	3-738-391-01	KNOB, STAND-BY (WHITE)	
				36	1-870-184-11	SWITCH, SLIDE (S2S1)	
				37	3-738-884-01	COVER, OUTPUT (AEP, UK Model) (BLACK)	
				38	3-738-884-01	COVER, OUTPUT (WHITE)	

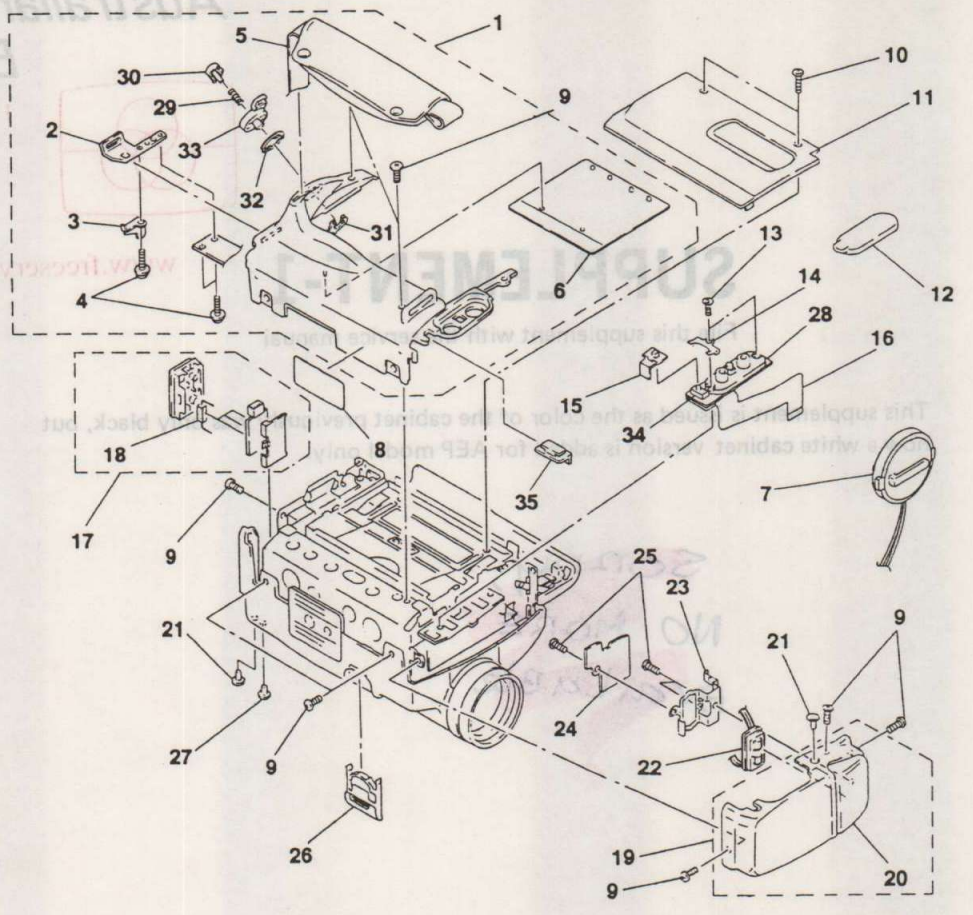
**SECTION 5
EXPLODED VIEWS**

NOTE:

- -XX, -X mean standardized parts, so they may have some differences from the original one.
- The construction parts of an assembled part are indicated with a collation number in the remark column.
- Items marked "*" are not stocked since they are seldom required for routine service. Some delay should be anticipated when ordering these items.
- The mechanical parts with no reference number in the exploded views are not supplied.

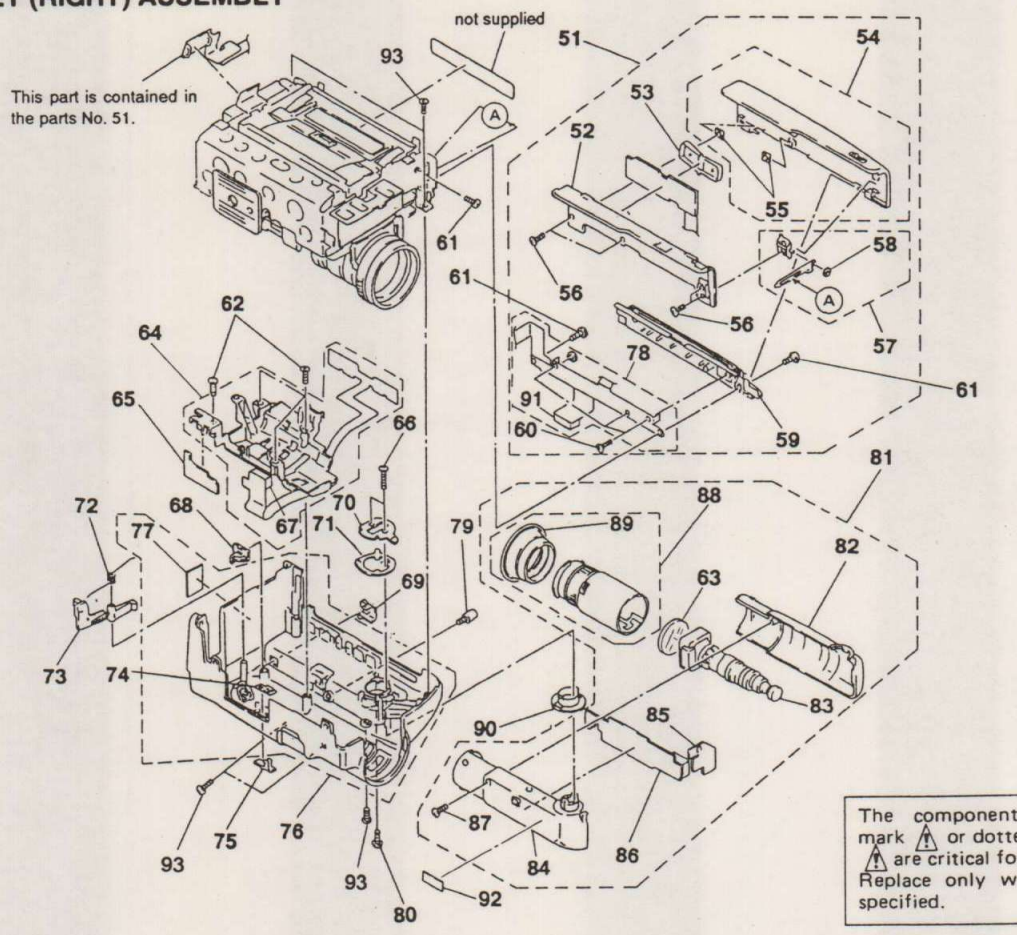
The components identified by mark or dotted line with mark are critical for safety. Replace only with part number specified.

5-1. CABINET (LEFT) ASSEMBLY



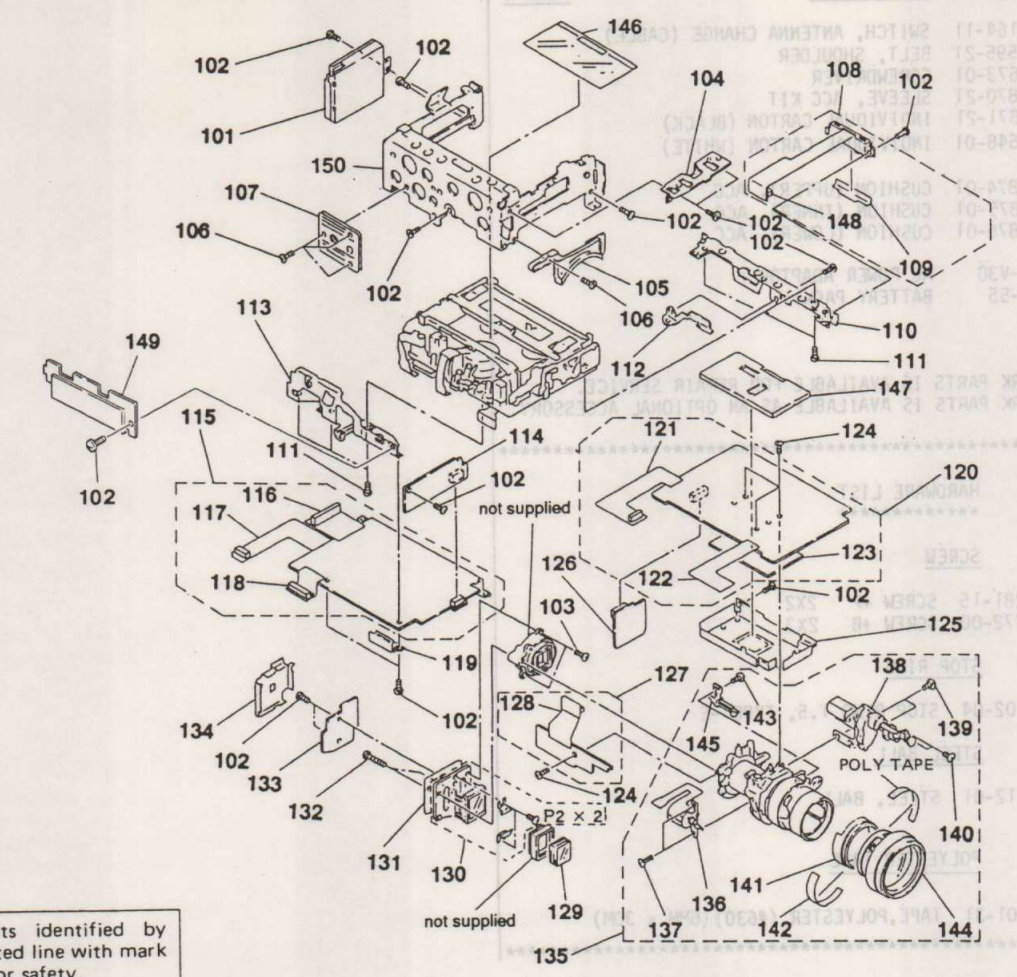
No.	Part No.	Description	Remark	No.	Part No.	Description	Remark
1	A-7080-874-A	CABINET (LEFT) BLOCK ASSY(E/Australian)		17	1-537-217-21	TERMINAL BOARD, BATTERY	18
				18	1-532-841-21	LINK, IC	
	A-7080-959-A	CABINET (LEFT) BLOCK ASSY(AEP/UK MODEL)		19	X-3736-336-1	PANEL ASSY, F (E, Australian MODEL)	20
					X-3736-380-1	PANEL ASSY, F (AEP, UK MODEL)(BLACK)	20
	A-7081-140-A	CABINET (L) BLOCK ASSY (WHITE)			X-3736-836-1	PANEL ASSY, F (WHITE)	20
2	3-736-338-01	BRACKET, BELT		20	X-3736-314-1	GRILLE ASSY, MICROPHONE	
3	3-736-360-01	JOINT, LR		21	3-728-267-01	COVER, 3.5 JACK (EARPHONE/MIC)	
4	3-669-480-11	+ PTPWH 2		22	1-542-126-11	MICROPHONE UNIT	
5	3-736-807-01	BELT, GRIP		23	3-736-801-01	PLATE, GROUND, MICROPHONE	
6	3-736-328-01	COVER, DRUM		24	*A-7070-969-A	MA-32 BOARD, COMPLETE	
7	A-7091-015-B	CAP ASSY, LENS		25	3-719-601-01	SCREW (B2X5), TAPPING	
8	*3-736-886-01	LABEL, MODEL NUMBER (AEP) (AEP MODEL)		26	X-3736-303-1	LID ASSY, BATTERY CASE, LITHIUM (BLACK)	
	*3-740-512-01	LABEL, MODEL NUMBER(UK)(UK/E/Australian)			X-3736-340-1	LID ASSY, BATTERY CASE, LITHIUM (WHITE)	
9	3-719-381-01	SCREW (M2X4) (BLACK)		27	3-728-266-01	COVER, 2.5 JACK (REMOTE)	
	3-719-381-51	SCREW (M2X4) (WHITE)		28	1-537-142-11	TERMINAL BOARD (J901)	
10	3-727-902-11	SCREW (M1.4), SPECIAL (BLACK)		29	3-578-221-00	SPRING, COMPRESSION	
	3-727-902-21	SCREW (M1.4), SPECIAL (WHITE)		30	3-736-343-01	BUTTON, S/S	
11	X-3736-381-1	LID ASSY, CASSETTE (BLACK)		31	3-736-344-01	HOLDER STAND-BY KNOB	
	X-3736-837-1	LID ASSY, CASSETTE (WHITE)		32	3-736-364-01	SPRING	
12	3-736-820-01	COVER, JACK		33	3-736-391-01	KNOB, STAND-BY (BLACK)	
13	3-719-695-31	SCREW (M1.7X4.5), SPECIAL HEAD		33	3-736-391-21	KNOB, STAND-BY (WHITE)	
14	3-736-354-01	PLATE, GROUND, PJ SWITCH (E/Australian)		34	1-570-134-11	SWITCH, SLIDE (S921)	
15	3-736-355-01	KNOB, IN OUT (E/Australian MODEL)		35	3-736-894-01	COVER, OUTPUT (AEP, UK MODEL) (BLACK)	
16	1-630-589-11	JK-40 FLEXIBLE BOARD			3-736-894-21	COVER, OUTPUT (WHITE)	

5-2. CABINET (RIGHT) ASSEMBLY



No.	Part No.	Description	Remark	No.	Part No.	Description	Remark
51	1-466-146-41	SWITCH BLOCK, CONTROL (E/Australian)		73	3-736-388-01	LEVER, RELEASE	
				74	3-736-386-01	SLIDER, AUTO LOCK	
	1-466-234-11	SWITCH BLOCK, CONTROL (AEP, UK MODEL)		75	3-736-385-01	BUTTON, AUTO LOCK (BLACK)	
					3-736-385-21	BUTTON, AUTO LOCK (WHITE)	
	1-466-234-61	SWITCH BLOCK, CONTROL (WHITE)		76	X-3736-383-1	CABINET (R) ASSY (BLACK)	77
52	X-3736-315-1	LID (REAR) ASSY, GRIP (BLACK)		76	X-3736-838-1	CABINET (R) ASSY (WHITE)	77
	X-3736-341-1	LID (REAR) ASSY, GRIP (WHITE)		77	*3-719-683-01	LABEL, BATTERY FITTING	
53	*3-736-376-01	BUTTON, ZOOM (BLACK)		78	1-466-146-11	SWITCH BLOCK, FK-9 (E, Australian)	91
	3-736-376-21	BUTTON, ZOOM (WHITE)			1-466-149-21	SWITCH BLOCK, FK-9 (AEP, UK MODEL)	91
54	X-3736-338-1	LID (FRONT) ASSY, GRIP (BLACK)		79	3-736-822-01	SCREW, GUIDE (BLACK)	
54	X-3736-803-1	LID (FRONT) ASSY, GRIP (WHITE)		79	3-736-822-11	SCREW, GUIDE (WHITE)	
55	3-716-418-01	NUT, FRAME PLATE		80	3-719-381-01	SCREW (M2X4) (BLACK)	
56	3-736-362-01	SCREW (M1.7X3), O P2			3-719-381-51	SCREW (M2X4) (WHITE)	
57	A-7091-018-A	LEVER BLOCK ASSY, LID		81	A-7019-177-A	EVF COMPLETE ASSY (BLACK)	63, 82-89
58	3-701-436-11	WASHER, 1.6 POLYETHYLENE			A-7019-219-A	EVF COMPLETE ASSY (WHITE)	63, 82-89
59	X-3736-335-1	PANEL ASSY, VTR (E, Australian MODEL)		82	X-3736-304-1	CABINET (UPPER) ASSY, EVF (BLACK)	
	X-3736-382-1	PANEL ASSY, VTR (AEP, UK MODEL) (BLACK)			X-3736-342-1	CABINET (UPPER) ASSY, EVF (WHITE)	
	X-3736-835-1	PANEL ASSY, VTR (WHITE)		83	1-452-482-31	CRT ASSY (M91JYZ60WB) (V901)	
60	3-736-363-01	SCREW (2X5), TAPPING, O K1		84	X-3736-305-1	CABINET (LOWER) ASSY, EVF (BLACK)	
61	3-713-786-51	SCREW (M2X3)			X-3736-303-1	CABINET (LOWER) ASSY, EVF (WHITE)	
62	3-719-408-01	SCREW (B2), TAPPING, P3		85	*1-630-588-21	TL-26 BOARD	
63	3-740-513-01	COVER, PLATE		86	*A-7061-853-A	VF-19 BOARD, COMPLETE	
64	1-466-147-11	SWITCH BLOCK, CF-4		87	3-713-790-31	SCREW (M2X8), TAPPING, P3	
65	*A-7070-968-A	EL-1 BOARD, COMPLETE		88	A-7080-872-A	HOLDER BLOCK ASSY, FINDER (BLACK)	89
66	3-740-546-01	SCREW (M2X10)			A-7080-995-A	HOLDER BLOCK ASSY, FINDER (WHITE)	89
67	1-568-334-11	CONNECTOR, BOARD TO BOARD 16P (CF-4 SWITCH BLOCK CN751)		89	3-736-370-01	EYE CUP	
68	3-736-389-01	SLIDER, RELEASE		90	3-724-514-01	SLEEVE, EVF	
69	3-736-387-01	BUTTON, BATTERY RELEASE (BLACK)		91	1-568-335-11	CONNECTOR, BOARD TO BOARD 18P (FK-9 SWITCH BLOCK CN603)	
	3-736-387-21	BUTTON, BATTERY RELEASE (WHITE)		92	*3-704-235-01	LABEL, CAUTION (UK MODEL)	
70	3-736-334-01	PLATE, LOCK, TILT		93	3-719-408-01	SCREW (B2), TAPPING, P3 (BLACK)	
71	3-736-333-01	SPRING, LEAF			3-719-408-11	SCREW (B2), TAPPING, P3 (WHITE)	
72	3-736-828-01	SPRING					

5-3. MAIN BOARD AND CAMERA ASSEMBLIES



The components identified by mark or dotted line with mark are critical for safety. Replace only with part number specified.

No.	Part No.	Description	Remark	No.	Part No.	Description	Remark
101	1-466-148-21	CONVERTER UNIT, DC-DC		123	A-7068-153-A	DT-74 BOARD, COMPLETE (HIC)	
102	3-713-786-51	SCREW (M2X3)		124	3-719-601-01	SCREW (B2X5), TAPPING	
103	3-738-519-01	SCREW (M2X3), +B		125	*3-736-319-01	CASE (UPPER), VC SHIELD	
104	*X-3736-311-1	BRACKET ASSY, PJ		126	*A-7061-850-A	TI-15 BOARD, COMPLETE	
105	3-736-392-01	CABINET, SUB (BLACK)		127	*A-7061-849-A	LD-11 BOARD, COMPLETE	128
105	3-736-392-21	PANEL, SUB (WHITE)		128	1-630-595-11	FP-187 FLEXIBLE BOARD	
106	3-719-381-01	SCREW (M2X4) (BLACK)		129	A-7090-879-A	FILTER BLOCK KIT, OPTICAL (OFB-02-02)	
	3-719-381-51	SCREW (M2X4) (WHITE)		130	A-7091-132-A	IC ICX027BK-2 ASSY (CCD IMAGER)	
107	3-736-396-02	SCREW, TRIPOD (BLACK)		131	*3-725-180-01	SHEET, INSULATING, CCD HOLDER	
	3-736-396-22	SCREW, TRIPOD (WHITE)		132	3-335-640-51	SCREW (M2X16)	
108	1-808-753-11	DISPLAY BLOCK, LIQUID CRYSTAL	109, 148	133	*A-7070-966-A	CD-14 BOARD, COMPLETE	
109	*3-736-832-01	COVER, PROTECTION, LCD		134	*3-736-321-01	CASE, CCD SHIELD	
110	3-736-803-01	SHEET METAL (F), MD FITTING		135	1-547-335-31	LENS, ZOOM (VCL-1106XA)	136-145
111	3-707-660-21	METER ASSY, EE (IRIS) (M904)		136	3-707-660-01	METER ASSY, EE (IRIS) (M904)	
112	3-736-365-01	REINFORCEMENT, LCD		137	3-707-665-01	SCREW, (B) 3P 1.7X4C	
113	3-736-804-01	SHEET METAL (R), MD FITTING		138	3-707-659-01	MOTOR ASSY, AF/Z GEAR (FOCUS/ZOOM)(M905)	
114	*A-7061-848-A	AU-51 BOARD, COMPLETE		139	3-707-663-01	SCREW, FITTING	
115	*A-7061-847-A	VS-37 BOARD, COMPLETE (AEP, UK MODEL)	116-118	140	3-707-666-01	SCREW, (B) 3P 1.7X2.8C	
	*A-7061-914-A	VS-37 BOARD, COMPLETE (E, Australian MODEL)	116-118	141	3-707-656-01	SCREW, (F) SCALE	
				142	3-707-657-01	TAPE, DISTANCE SCALE FITTING	
116	1-630-590-11	FP-181 FLEXIBLE BOARD		143	3-707-664-01	SCREW, (B) 2P 1.7X4.5C	
117	1-630-592-11	FP-184 FLEXIBLE BOARD		144	3-707-661-01	RING UNIT, F	
118	1-630-591-11	FP-182 FLEXIBLE BOARD		145	3-707-662-01	SW ASSY, LEAF	
119	3-736-323-01	SHIELD, RP CONNECTOR		146	3-736-834-01	COVER, CASSETTE COMPARTMENT	
120	*A-7061-851-A	VC-60 BOARD, COMPLETE	121-123	147	*3-736-320-02	CASE (LOWER), VC SHIELD	
				148	1-568-335-11	CONNECTOR, BOARD TO BOARD 18P	
121	1-630-594-11	FP-186 FLEXIBLE BOARD		149	*A-7061-855-A	PD-18 BOARD, COMPLETE	
122	1-630-593-11	FP-185 FLEXIBLE BOARD		150	X-3736-310-2	FRAME ASSY, MD	

CCD-TR55E

SONY SERVICE MANUAL

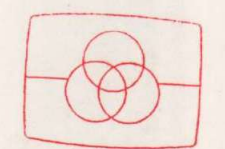
AEP Model
UK Model
Australian Model
E Model

SUPPLEMENT-2

File this supplement with the service manual.

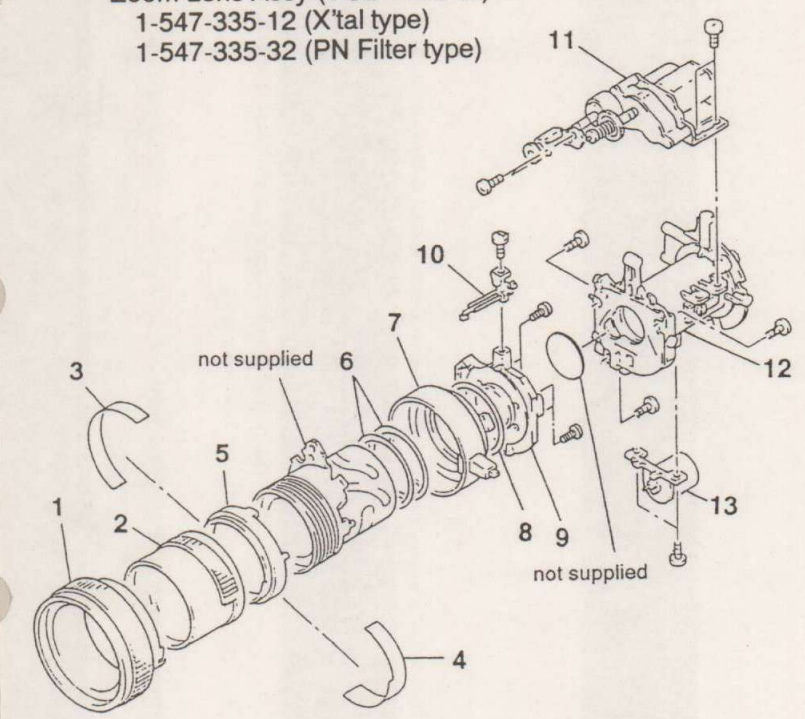
1. Each part of zoom lens assy listed below are available.

Zoom Lens Assy (VCL-1106XA)
 1-547-335-12 (X'tal type)
 1-547-335-32 (PN Filter type)



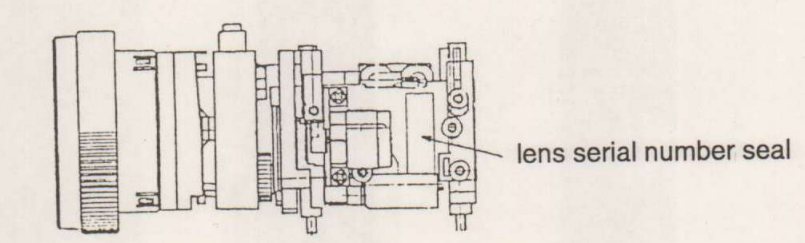
Free service manuals
 Gratis schema's
 Digitized by

www.freesevicemanuals.info



No.	Part No.	Description	Remark
1	3-707-740-01	RING	
2	3-707-661-01	F RING UNIT	
3	3-707-658-01	DISTANCE SCALE SUPPORT TAPE	
4	3-707-657-01	DISTANCE SCALE FITTING TAPE	
5	3-707-656-01	F SCALE RING	
6	3-707-744-01	LOWER COVER	
7	3-707-745-01	ZOOM RING ASSY	
8	3-707-743-01	WASHER	
9	3-707-741-01	MIDWAY FRAME ASSY	
10	3-707-662-01	LEAR SWITCH ASSY	
11	3-707-659-01	AF ZOOM MOTOR ASSY	
12	3-707-742-01	REAR ASSY	
13	3-707-660-01	EE METER ASSY	

2. Distinction



Lens Assy	Seal Color
X'tal Type 1-547-335-12	White Greenish Brown
PN Filter Type 1-547-335-32	Cream

9-972-846-82

Sony Corporation
 Personal Video Group

English
 90J0970-1
 Printed in Japan
 ©1990.10
 Published by Customer Relations and Service Group

CCD-TR55E

MAIN BOARD AND CAMERA ASSEMBLY

Part No.	Description	Remark
1-571-164-11	SWITCH, ANTENNA CHANGE (CABLE)	
3-712-595-21	BELT, SHOULDER	
3-712-673-01	SCREWDRIVER	
*3-736-870-21	SLEEVE, ACC KIT	
*3-736-871-21	INDIVIDUAL CARTON (BLACK)	
*3-740-548-01	INDIVIDUAL CARTON (WHITE)	
*3-736-874-01	CUSHION (UPPER), ACC	
*3-736-875-01	CUSHION (INNER), ACC	
*3-736-876-01	CUSHION (LOWER), ACC	
** AC-V30	AC POWER ADAPTOR	
*** NP-55	BATTERY PACK	

Note
 ** MARK PARTS IS AVAILABLE FOR REPAIR SERVICE.
 *** MARK PARTS IS AVAILABLE AS AN OPTIONAL ACCESSORY.

HARDWARE LIST

SCREW

7-621-281-15 SCREW +P 2X2
 7-621-772-00 SCREW +B 2X3

STOP RING

7-624-102-04 STOP RING 1.5, TYPE -E

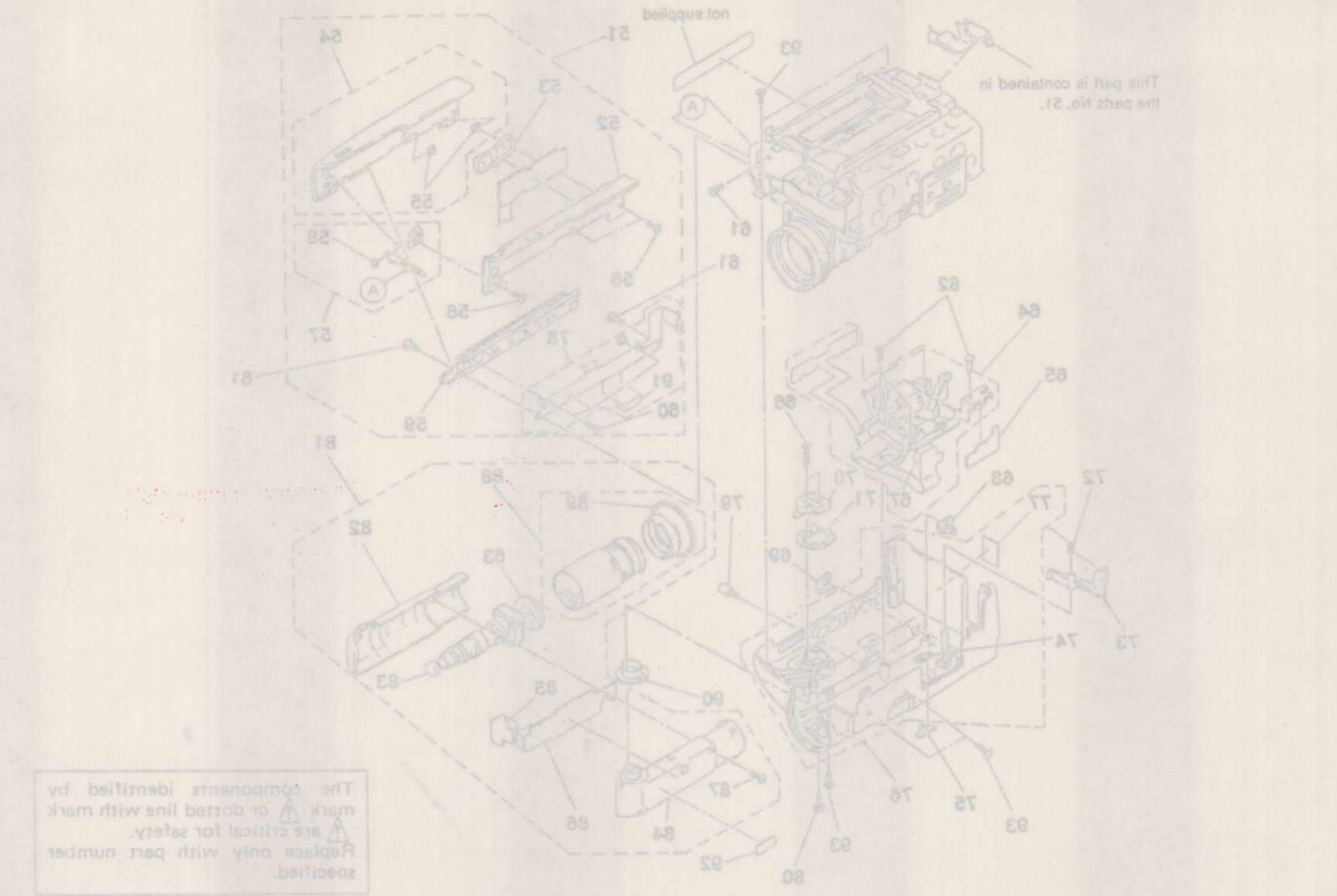
STEEL BALL

7-671-112-01 STEEL, BALL

POLYESTER TAPE

7-632-701-31 TAPE,POLYESTER (#630)(6MM x 30M)

No.	Part No.	Description	Remark
101	1-468-148-21	CONVERTER UNIT, DC-DC	
102	3-712-788-21	SCREW (MSX3)	
103	*3-736-874-01	CASE (UPPER), VC SHIELD	
104	*3-736-874-01	CASE (LOWER), VC SHIELD	
105	1-468-148-21	CONVERTER UNIT, DC-DC	
106	3-712-788-21	SCREW (MSX3)	
107	*3-736-874-01	CASE (UPPER), VC SHIELD	
108	*3-736-874-01	CASE (LOWER), VC SHIELD	
109	1-468-148-21	CONVERTER UNIT, DC-DC	
110	3-712-788-21	SCREW (MSX3)	
111	*3-736-874-01	CASE (UPPER), VC SHIELD	
112	*3-736-874-01	CASE (LOWER), VC SHIELD	
113	1-468-148-21	CONVERTER UNIT, DC-DC	
114	3-712-788-21	SCREW (MSX3)	
115	*3-736-874-01	CASE (UPPER), VC SHIELD	
116	*3-736-874-01	CASE (LOWER), VC SHIELD	
117	1-468-148-21	CONVERTER UNIT, DC-DC	
118	3-712-788-21	SCREW (MSX3)	
119	*3-736-874-01	CASE (UPPER), VC SHIELD	
120	*3-736-874-01	CASE (LOWER), VC SHIELD	



No.	Part No.	Description	Remark
1	1-468-148-21	CONVERTER UNIT, DC-DC	
2	3-712-788-21	SCREW (MSX3)	
3	*3-736-874-01	CASE (UPPER), VC SHIELD	
4	*3-736-874-01	CASE (LOWER), VC SHIELD	
5	1-468-148-21	CONVERTER UNIT, DC-DC	
6	3-712-788-21	SCREW (MSX3)	
7	*3-736-874-01	CASE (UPPER), VC SHIELD	
8	*3-736-874-01	CASE (LOWER), VC SHIELD	
9	1-468-148-21	CONVERTER UNIT, DC-DC	
10	3-712-788-21	SCREW (MSX3)	
11	*3-736-874-01	CASE (UPPER), VC SHIELD	
12	*3-736-874-01	CASE (LOWER), VC SHIELD	
13	1-468-148-21	CONVERTER UNIT, DC-DC	
14	3-712-788-21	SCREW (MSX3)	
15	*3-736-874-01	CASE (UPPER), VC SHIELD	
16	*3-736-874-01	CASE (LOWER), VC SHIELD	
17	1-468-148-21	CONVERTER UNIT, DC-DC	
18	3-712-788-21	SCREW (MSX3)	
19	*3-736-874-01	CASE (UPPER), VC SHIELD	
20	*3-736-874-01	CASE (LOWER), VC SHIELD	
21	1-468-148-21	CONVERTER UNIT, DC-DC	
22	3-712-788-21	SCREW (MSX3)	
23	*3-736-874-01	CASE (UPPER), VC SHIELD	
24	*3-736-874-01	CASE (LOWER), VC SHIELD	
25	1-468-148-21	CONVERTER UNIT, DC-DC	
26	3-712-788-21	SCREW (MSX3)	
27	*3-736-874-01	CASE (UPPER), VC SHIELD	
28	*3-736-874-01	CASE (LOWER), VC SHIELD	
29	1-468-148-21	CONVERTER UNIT, DC-DC	
30	3-712-788-21	SCREW (MSX3)	
31	*3-736-874-01	CASE (UPPER), VC SHIELD	
32	*3-736-874-01	CASE (LOWER), VC SHIELD	
33	1-468-148-21	CONVERTER UNIT, DC-DC	
34	3-712-788-21	SCREW (MSX3)	
35	*3-736-874-01	CASE (UPPER), VC SHIELD	
36	*3-736-874-01	CASE (LOWER), VC SHIELD	
37	1-468-148-21	CONVERTER UNIT, DC-DC	
38	3-712-788-21	SCREW (MSX3)	
39	*3-736-874-01	CASE (UPPER), VC SHIELD	
40	*3-736-874-01	CASE (LOWER), VC SHIELD	
41	1-468-148-21	CONVERTER UNIT, DC-DC	
42	3-712-788-21	SCREW (MSX3)	
43	*3-736-874-01	CASE (UPPER), VC SHIELD	
44	*3-736-874-01	CASE (LOWER), VC SHIELD	
45	1-468-148-21	CONVERTER UNIT, DC-DC	
46	3-712-788-21	SCREW (MSX3)	
47	*3-736-874-01	CASE (UPPER), VC SHIELD	
48	*3-736-874-01	CASE (LOWER), VC SHIELD	
49	1-468-148-21	CONVERTER UNIT, DC-DC	
50	3-712-788-21	SCREW (MSX3)	
51	*3-736-874-01	CASE (UPPER), VC SHIELD	
52	*3-736-874-01	CASE (LOWER), VC SHIELD	
53	1-468-148-21	CONVERTER UNIT, DC-DC	
54	3-712-788-21	SCREW (MSX3)	
55	*3-736-874-01	CASE (UPPER), VC SHIELD	
56	*3-736-874-01	CASE (LOWER), VC SHIELD	
57	1-468-148-21	CONVERTER UNIT, DC-DC	
58	3-712-788-21	SCREW (MSX3)	
59	*3-736-874-01	CASE (UPPER), VC SHIELD	
60	*3-736-874-01	CASE (LOWER), VC SHIELD	
61	1-468-148-21	CONVERTER UNIT, DC-DC	
62	3-712-788-21	SCREW (MSX3)	
63	*3-736-874-01	CASE (UPPER), VC SHIELD	
64	*3-736-874-01	CASE (LOWER), VC SHIELD	
65	1-468-148-21	CONVERTER UNIT, DC-DC	
66	3-712-788-21	SCREW (MSX3)	
67	*3-736-874-01	CASE (UPPER), VC SHIELD	
68	*3-736-874-01	CASE (LOWER), VC SHIELD	
69	1-468-148-21	CONVERTER UNIT, DC-DC	
70	3-712-788-21	SCREW (MSX3)	
71	*3-736-874-01	CASE (UPPER), VC SHIELD	
72	*3-736-874-01	CASE (LOWER), VC SHIELD	
73	1-468-148-21	CONVERTER UNIT, DC-DC	
74	3-712-788-21	SCREW (MSX3)	
75	*3-736-874-01	CASE (UPPER), VC SHIELD	
76	*3-736-874-01	CASE (LOWER), VC SHIELD	
77	1-468-148-21	CONVERTER UNIT, DC-DC	
78	3-712-788-21	SCREW (MSX3)	
79	*3-736-874-01	CASE (UPPER), VC SHIELD	
80	*3-736-874-01	CASE (LOWER), VC SHIELD	
81	1-468-148-21	CONVERTER UNIT, DC-DC	
82	3-712-788-21	SCREW (MSX3)	
83	*3-736-874-01	CASE (UPPER), VC SHIELD	
84	*3-736-874-01	CASE (LOWER), VC SHIELD	
85	1-468-148-21	CONVERTER UNIT, DC-DC	
86	3-712-788-21	SCREW (MSX3)	
87	*3-736-874-01	CASE (UPPER), VC SHIELD	
88	*3-736-874-01	CASE (LOWER), VC SHIELD	
89	1-468-148-21	CONVERTER UNIT, DC-DC	
90	3-712-788-21	SCREW (MSX3)	
91	*3-736-874-01	CASE (UPPER), VC SHIELD	
92	*3-736-874-01	CASE (LOWER), VC SHIELD	
93	1-468-148-21	CONVERTER UNIT, DC-DC	
94	3-712-788-21	SCREW (MSX3)	
95	*3-736-874-01	CASE (UPPER), VC SHIELD	
96	*3-736-874-01	CASE (LOWER), VC SHIELD	
97	1-468-148-21	CONVERTER UNIT, DC-DC	
98	3-712-788-21	SCREW (MSX3)	
99	*3-736-874-01	CASE (UPPER), VC SHIELD	
100	*3-736-874-01	CASE (LOWER), VC SHIELD	

9-972-846-81

Sony Corporation
 Personal Video Group

Published by Customer Relations and Service Group

English
 90C0946-1
 Printed in Japan
 © 1990.3