

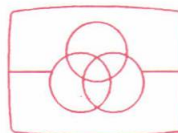

**PIONEER®**

# Service Manual

**REPAIR & ADJUSTMENTS**

**ORDER NO.  
ART-709-0**
**STEREO TURNTABLE**

# PL-4 PL-320


 Free service manuals  
 Gratis schema's

Digitized by

[www.freesevicemanuals.info](http://www.freesevicemanuals.info)
**MODEL PL-4 COMES IN SEVEN VERSIONS DISTINGUISHED AS FOLLOWS:**

Type	Voltage	Remarks
KUT	120V only	U.S.A. model (Without cartridge)
KCT	120V only	Canada model (Without cartridge)
WE	220V – 240V	Europe model
WB	220V – 240V	United kingdom model
WP	220V – 240V	Oceania model
R	110V–120V/220V–240V (Switchable)	General export model
R/G	110V–120V/220V–240V (Switchable)	U.S. military model

**MODEL PL-320 COMES IN FIVE VERSIONS DISTINGUISHED AS FOLLOWS:**

Type	Voltage	Remarks
WE	220V – 240V	Europe model
WB	220V – 240V	United kingdom model
WP	220V – 240V	Oceania model
R	110V–120V/220V–240V (Switchable)	General export model
RF/G	110V–120V/220V–240V (Switchable)	U.S. military model (Without dust cover)

- This is the service manual for model PL-4/KUT. For servicing of the other types, please refer to the additional service manual.
- Ce manuel d'instruction se réfère au mode de réglage, en français.
- Este manual de servicio trata del método de ajuste escrito en español.

**PIONEER ELECTRONIC CORPORATION** 4-1, Meguro 1-Chome, Meguro-ku, Tokyo 153, Japan  
**U.S. PIONEER ELECTRONICS CORPORATION** 85 Oxford Drive, Moonachie, New Jersey 07074, U.S.A.  
**PIONEER ELECTRONIC (EUROPE) N.V.** Luthagen-Haven 9, 2030 Antwerp, Belgium  
**PIONEER ELECTRONICS AUSTRALIA PTY. LTD.** 178-184 Boundary Road, Braeside, Victoria 3195, Australia

- For the circuit and mechanism descriptions, please refer to the supplement of model PL-7 service manual (ART-768).

## CONTENTS

1. SPECIFICATIONS . . . . .	2	8. SCHEMATIC DIAGRAM . . . . .	15
2. FRONT PANEL FACILITIES . . . . .	3	9. EXPLODED VIEWS . . . . .	17
3. DISASSEMBLY . . . . .	4	10. ELECTRICAL PARTS LIST . . . . .	22
4. TROUBLESHOOTING . . . . .	6	11. ADJUSTMENTS . . . . .	23
5. PRECAUTIONS FOR REASSEMBLY . . . . .	10	RÉGLAGE . . . . .	24
6. BLOCK DIAGRAM . . . . .	12	AJUSTE . . . . .	25
7. P.C. BOARDS CONNECTION DIAGRAM . . . . .	13	12. PACKING . . . . .	26

## 1. SPECIFICATIONS

### Motor and Turntable

Drive System . . . . .	Direct-drive
Motor . . . . .	DC servo motor
Turntable Platter . . . . .	310mm diam. aluminum alloy die-cast.
Speeds . . . . .	33-1/3 and 45rpm
Wow and Flutter . . . . .	Less than 0.025% (WRMS)
Signal-to-Noise Ratio . . . . .	More than 78dB (DIN-B) (with Pioneer cartridge model PC-3MC)

### Tonearm

Type . . . . .	Static-balance type, Straight pipe arm
Effective Arm Length . . . . .	221mm
Overhang . . . . .	15.5mm
Usable Cartridge Weight . . . . .	3g (min.) to 8g (max.)

### Subfunctions

Auto-return mechanism, Anti-skating force control, Stylus pressure direct-readout counterweight, Cueing device, Strobe light, Free stop hinges

### Miscellaneous

Power Requirements . . . . .	AC120V, 60Hz
Power Consumption . . . . .	9W
Dimensions . . . . .	420(W) × 108(H) × 367(D)mm 16-1/2(W) × 4-1/4(H) × 14-7/16(D)in.
Weight . . . . .	5.8kg/12 lb 12 oz

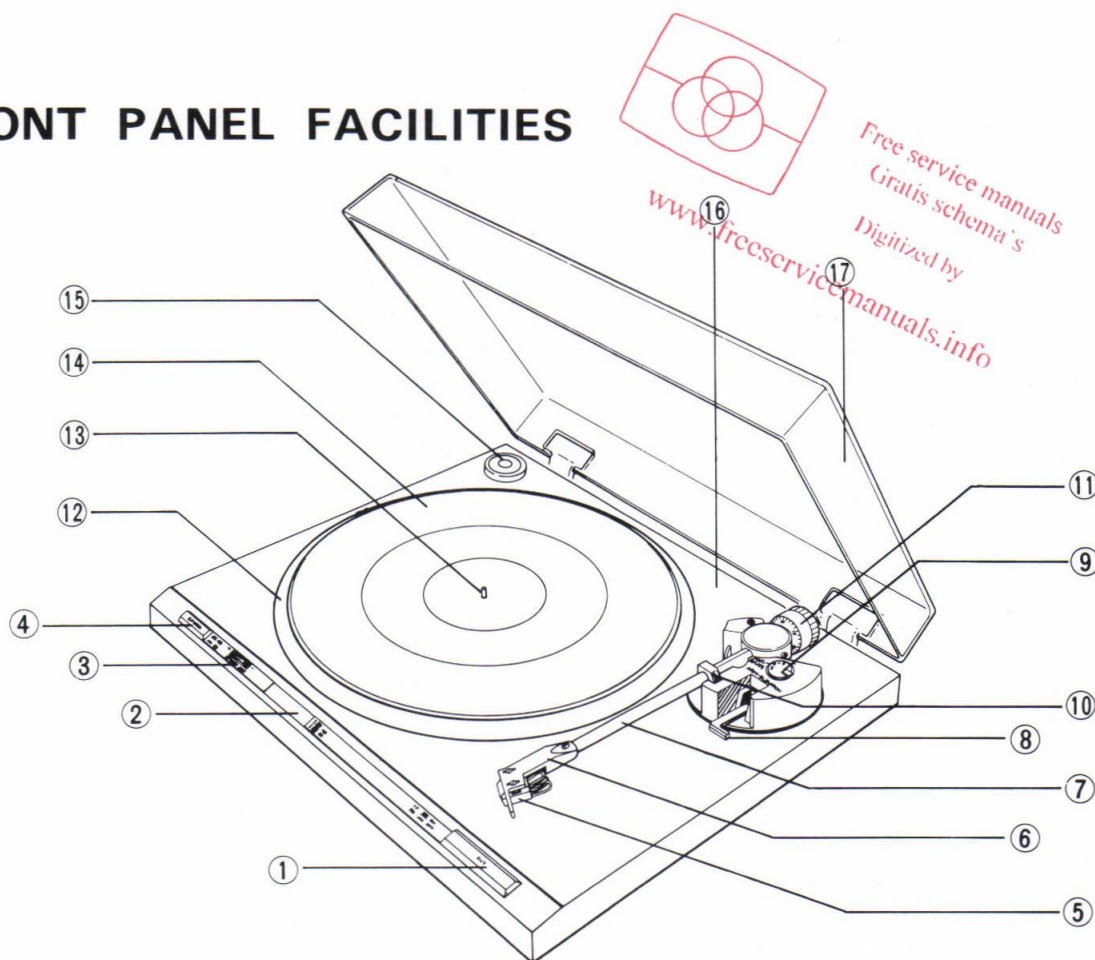
### Accessories

EP Adapter . . . . .	1
Operating Instructions . . . . .	1

#### NOTE:

*Specifications and design subject to possible modification without notice, due to improvements.*

## 2. FRONT PANEL FACILITIES



### ① CUT switch

Depress this switch to stop play.

### ② Speed check window

Look through this window and observe the movement of the striped pattern when checking the rotational speed or finely adjusting the speed. The position of the striped pattern differs according to the power line frequency (50 Hz or 60 Hz) in the area of use and the speed (33 or 45 rpm) of the platter.

**Top pattern:** For 45 rpm in 50 Hz area

**Second pattern:** For 45 rpm in 60 Hz area

**Third pattern:** For 33 rpm in 50 Hz area

**Bottom pattern:** For 33 rpm in 60 Hz area

### ③ SPEED ADJ control

Rotate this control in order to finely adjust the speed of the platter.

The speed is reduced when the control is rotated in the [-] direction.

The speed is increased when the control is rotated in the [+] direction.

### ④ SPEED switch

Set this switch in accordance with the speed of the record which is to be played.

[33] (depressed position): For 33-1/3 rpm records

[45] (released position): For 45 rpm records

### ⑤ Cartridge

### ⑥ Headshell

### ⑦ Tonearm

### ⑧ ARM ELEVATION lever

Operate this lever when starting record play or when temporarily suspending play.

### ⑨ ANTI-SKATE control

This is rotated when performing the anti-skating adjustment.

### ⑩ Arm rest

This serves to hold and clamp the tonearm. When moving the tonearm, release the clamp.

### ⑪ Tracking force adjustment weight

This is used when adjusting the tracking force.

### ⑫ Platter

### ⑬ Platter mounting shaft

### ⑭ Rubber mat

### ⑮ EP adapter

This is used when playing records without a "middle."

### ⑯ Cabinet

### ⑰ Dust cover

## 3. DISASSEMBLY

### 3.1 PANEL AND BASE

In removing the panel, follow the below listed steps in the order given. Using any unnecessary force will result in bending the springs or damaging other parts.

#### Panel removal steps

1. Remove the headshell and weight assembly, and the weight shaft assembly.  
The weight shaft assembly is removed by loosening screw (Hexagone socket screw) and the headshell by loosening screw ①.
2. Lift off the turntable platter.

3. Loosen insulator attachment screws ② and remove the insulator. (Do not mix the color-coded float springs. They must be replaced with their original insulators during reassembly.)
4. Remove the rear panel PU cord strain relief.
5. Unplug the 2P and 5P connectors.
6. Completely remove the PU cord from the panel.
7. Lift up the headshell end of the tonearm, and taking care not to damage the tonearm, remove it from the panel. (Hold the tonearm steady.)

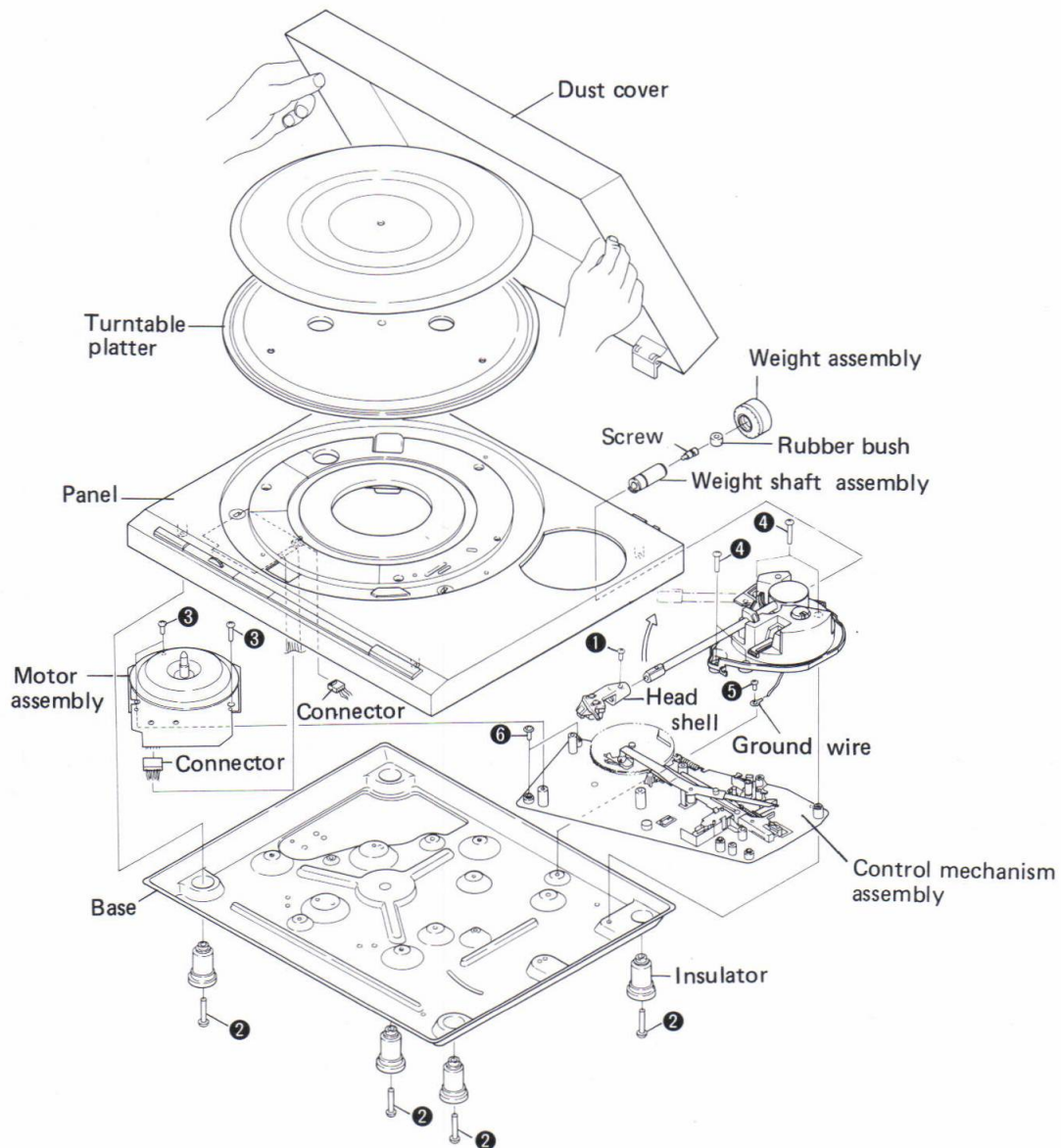


Fig. 3-1 Disassembly

### 3.2 D.D MOTOR ASSEMBLY

After the panel has been removed, loosen the three motor attachment screws ③ and remove the motor.

### 3.3 TONEARM SECTION

Remove the tonearm section by taking out the three arm base attachment screws ④ and one ground wire securing screw ⑤.

### 3.4 CONTROL MECHANISM SECTION

After the tonearm section has been removed, loosen the three control mechanism attachment screws ⑥ and remove the assembly.

### 3.5 TONEARM

1. Disconnect the tonearm lead wires from the PU board (See Fig. 3-2).  
Note that some of the lead wires have been soldered to the PU board, and must be disconnected with care.
2. Loosen the set screw ⑦ with a screwdriver to remove the PU plate under the arm base (See Fig. 3-3).
3. Undo the screw ⑧ securing the tonearm to the arm base (See Fig. 3-3).

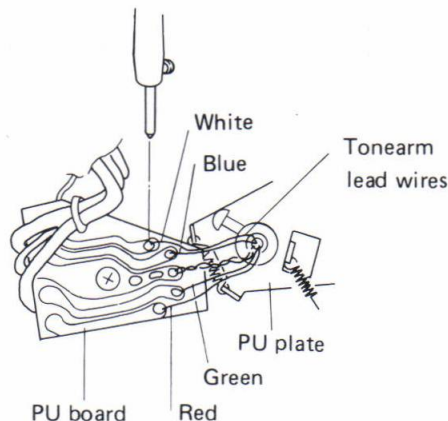


Fig. 3-2 Disconnect the tonearm lead wires

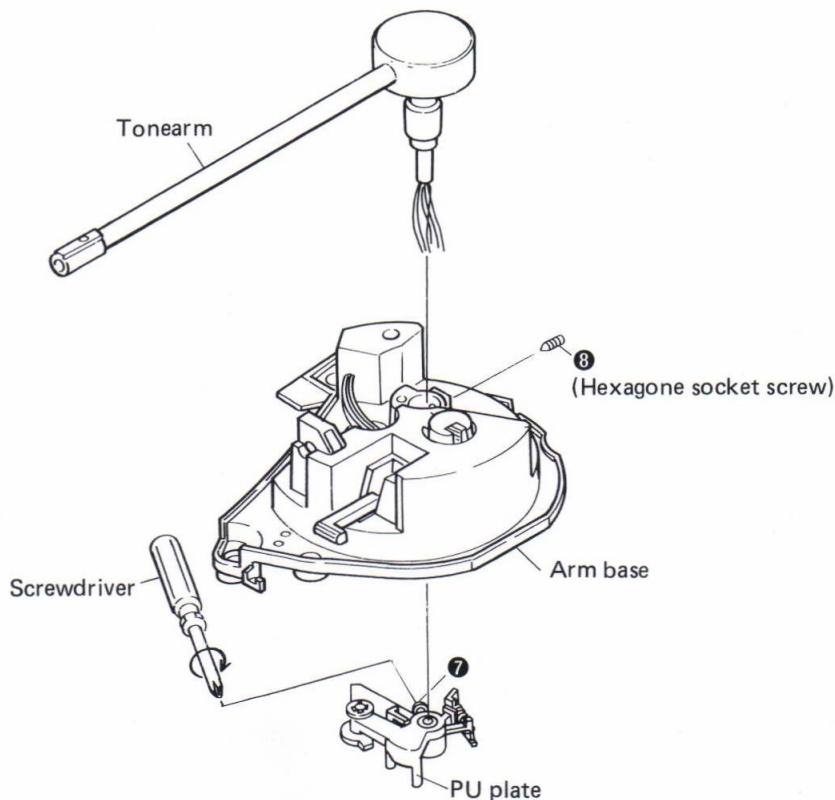
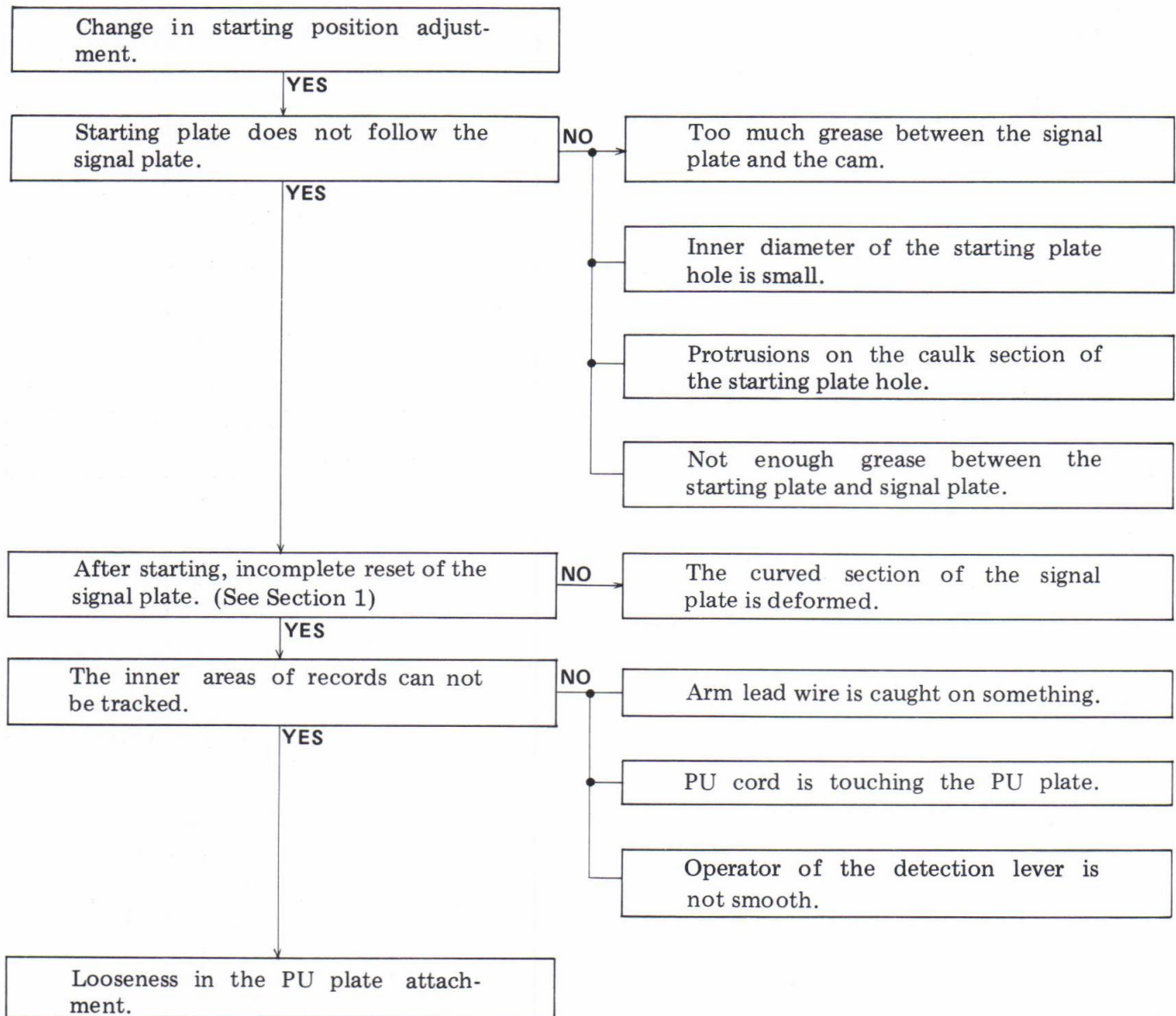


Fig. 3-3 Remove tonearm

## 4. TROUBLESHOOTING

Use the following directions to find the cause of each type of breakdown. Improperly adjustment units should be completely readjusted.

### ■ AUTO-RETURN DOES NOT WORK



#### Section 1

After performing the return operation, if the curved section of the signal plate and curved section of the starting plate are not in contact with surfaces (A) and (B) respectively of the cam, reset will be incomplete and the starting position will be late. As a result, the return function may not operate at times. In this case, bend the signal plate (C) so that dimension (A) is 0.5mm or larger.

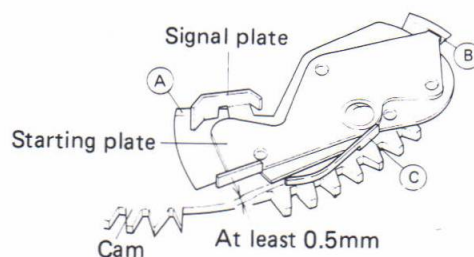


Fig. 4-1 Incomplete reset of starting and signal plates.

## ■ RETURN IS FAST (RETURN AT 1mm PITCH)

Protrusions on the pinion gear section

(See section 2)

### Section 2

If there are rough areas of plastic protruding from the (A) section of the protruding section of the pinion gear, the return function may operate at a pitch of only 1mm. In this case, remove the plastic protrusions completely (Fig. 4-2)

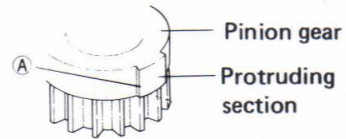


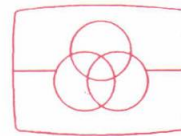
Fig. 4-2 Elimination of pinion gear protrusions

## ■ MOTOR DOES NOT ROTATE

2P and 5P connectors are not attached.

YES

Connector(s) is not properly installed.



Free service manuals  
Gratis schema's

Digitized by

[www.freesevicemanuals.info](http://www.freesevicemanuals.info)

## ■ MOTOR DOES NOT STOP

The switch lever and switch locker are not locking (See section 3)

NO

The installation location of the PU plate is incorrect.

### Section 3

In order to turn the power OFF, the PU plate shaft touches surface (A) of the switch locker pushing it over so it locks with the switch lever turning the microswitch OFF (Fig. 4-3). If the amount of push on the switch locker is insufficient, it can not lock with the switch lever. With the tonearm locked in the arm rest, as shown in figure 4-4, attach the PU plate precisely midway between the first and second points from the arm base scale mark counting away from you.

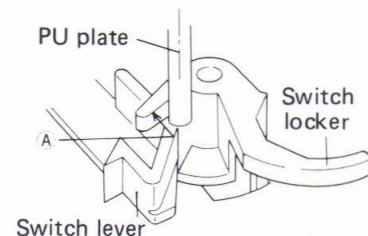


Fig. 4-3 Adjustment of switch locker

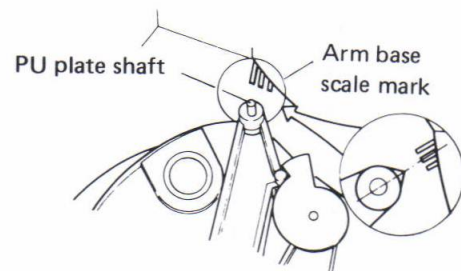


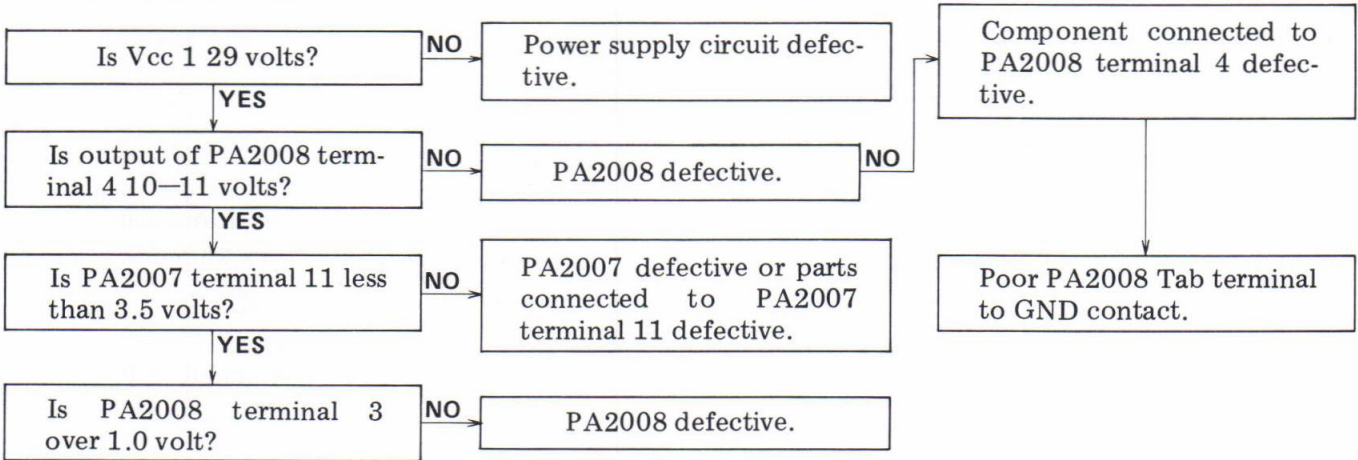
Fig. 4-4 Adjustment PU plate

■ MOTOR ASSEMBLY

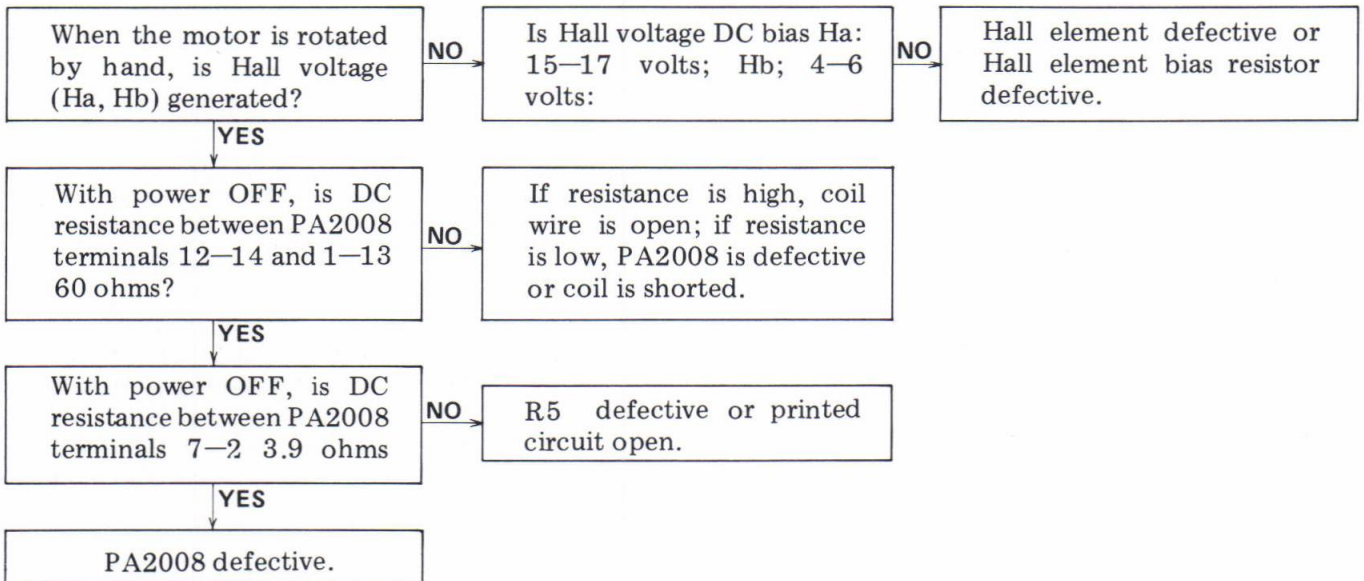
NOTE:

The IC PA2008 used in the PXM-090 does not have a dedicated ground pin for its internal circuitry, but uses the thermal fan ground. When replacing the IC, make sure the securing screws retaining the ground line between the IC and thermal dissipator and between the thermal dissipator and motor base, and base to circuit board is securely tightened.

● Motor Does not Turn

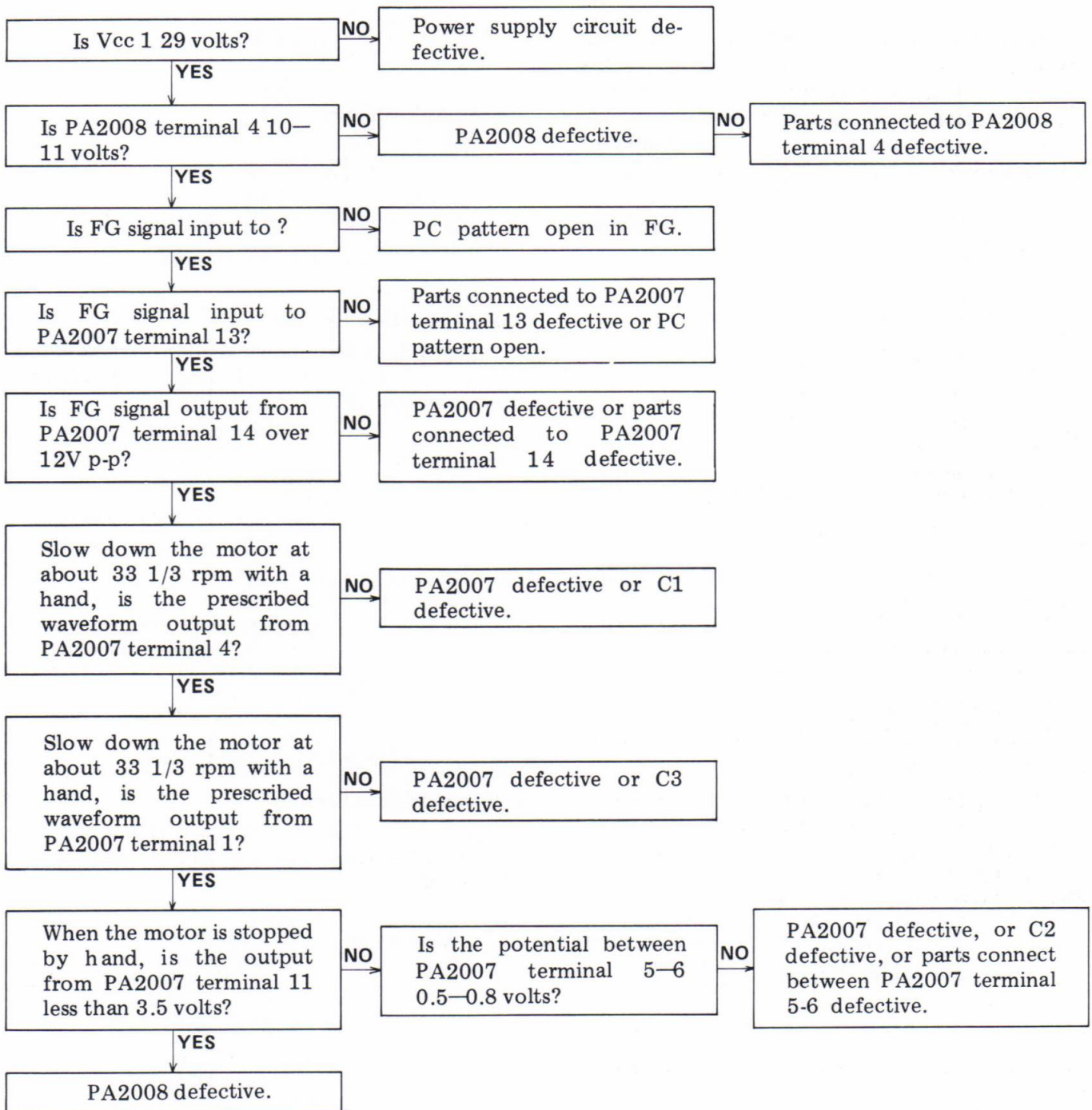


● Motor Does not Stop





● Motor Runs away



## 5. PRECAUTIONS FOR REASSEMBLY

Follow these directions and precautions when reassembling a unit after completing repairs. Be sure to lubricate as required, make no mistakes when attaching parts, and avoid all other careless mistakes that may be the cause of trouble later on.

### 5.1 AREAS THAT REQUIRE LUBRICATION

#### NOTE:

Types of lubricants and areas where they are used are listed in table 1.

Table 1

Type of Oil	Areas used
Silicon Oil #50000	raising shaft
GYA-008	all other areas

Lubrication points are specified for oils other than GYA-008. Never use a different type of oil.

#### • Cam Section

Apply oil to the heart-shaped grooved section (rear side of the cam) and lock plate sliding section in order to minimize wear on the sliding section and the burden on the mechanism.

#### • Driving Plate Assembly

Decrease the burden on the mechanism and the wear on the sliding section.

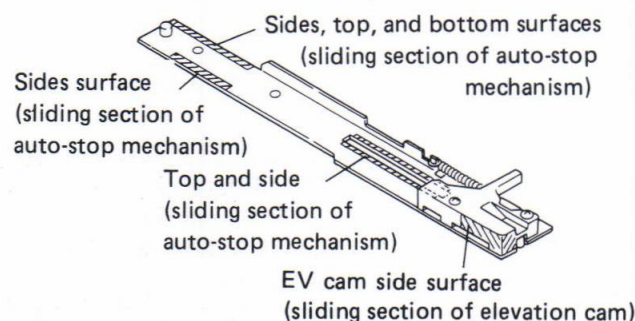


Fig. 5-1 Driving panel assembly section switch locker section

#### • Switch Locker Section

Apply oil to the switch locker (opening) and sub-panel base sliding section to decrease the burden on the mechanism.

When applying oil to the opening (shaft hole), do not apply any oil 2–3mm from the bottom surface. If oil is applied 2–3mm within the bottom surface, it may come out the bottom and go between the switch lever and sub-panel base causing the switch lever to operate ineffectively.

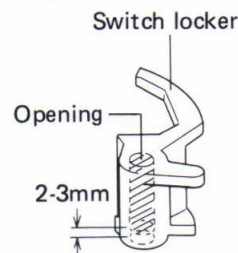


Fig. 5-2 Switch locker section

#### • EV Lever Unit Section

Apply oil to the sliding section of leaf spring (A) and EV lever unit to decrease the burden on the mechanism.

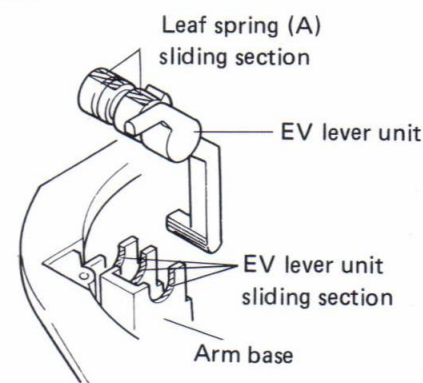


Fig. 5-3 EV lever unit section

#### • Elevation Cam Section

Apply oil to the elevation cam and sliding section of the raising shaft to decrease the burden when operated.

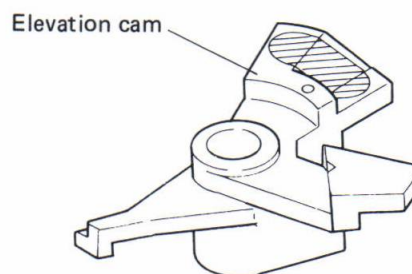


Fig. 5-4 Elevation cam section

#### • EV Sheet Section

Apply oil to the raising shaft and sliding section of the bearing to assure stability in the elevation lowering speed.

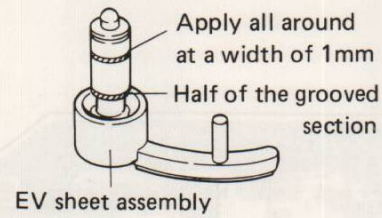


Fig. 5-5 EV sheet section

## 5.2 PRECAUTIONS FOR ATTACHMENT OF PARTS AND REASSEMBLY

### • Motor Attachment

When installing the motor, set the cam in the mechanism stop location and verify that the starting plate section (B) does not protrude beyond surface (A) of the cam. If the motor is attached with the starting plate section (B) protruding, the starting plate may be deformed, the motor pinion gear may be scratched, and the return function may be damaged.

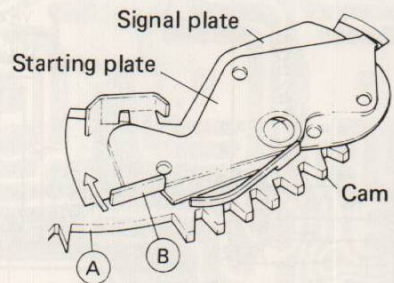


Fig. 5-6 Motor attachment

### • PU Plate Attachment

Push the PU plate into place so that the PU plate bearing section touches the revolution shaft attachment nut. Installation direction is as shown in figure 5-7.

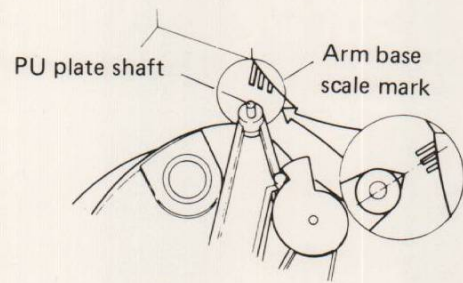


Fig. 5-7 PU plate attachment

### • AS Knob Attachment

When installing the AS knob, put the AS knob rib against the AS knob revolution control stopper (attached to the arm base) and affix with the screw. As the stopper may break, be sure to press the AS knob down firmly when installing it.

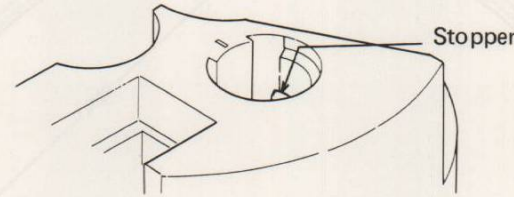


Fig. 5-8 AS knob attachment

### • Arm Base Attachment

When attaching the arm base section to the mechanism section, put the mechanism section switch locker and switch lever in the locked position and verify that the tonearm is in the arm rest location. Also be sure to put the manual elevation lever in the up position and check that the PU plate shaft is in the position shown in figure 5-9.

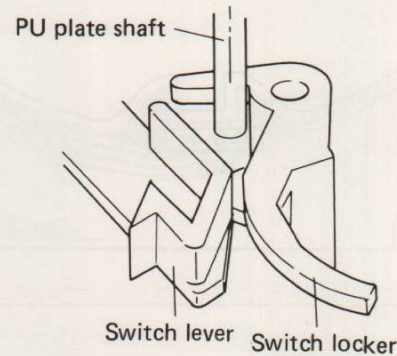


Fig. 5-9 Arm base attachment

### • Wiring the Connector

When attaching the wires to the 2P connector from the microswitch, bend the lead wires from the connector housing as shown in figure 5-10 before attaching.

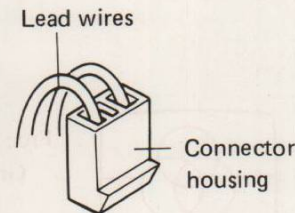
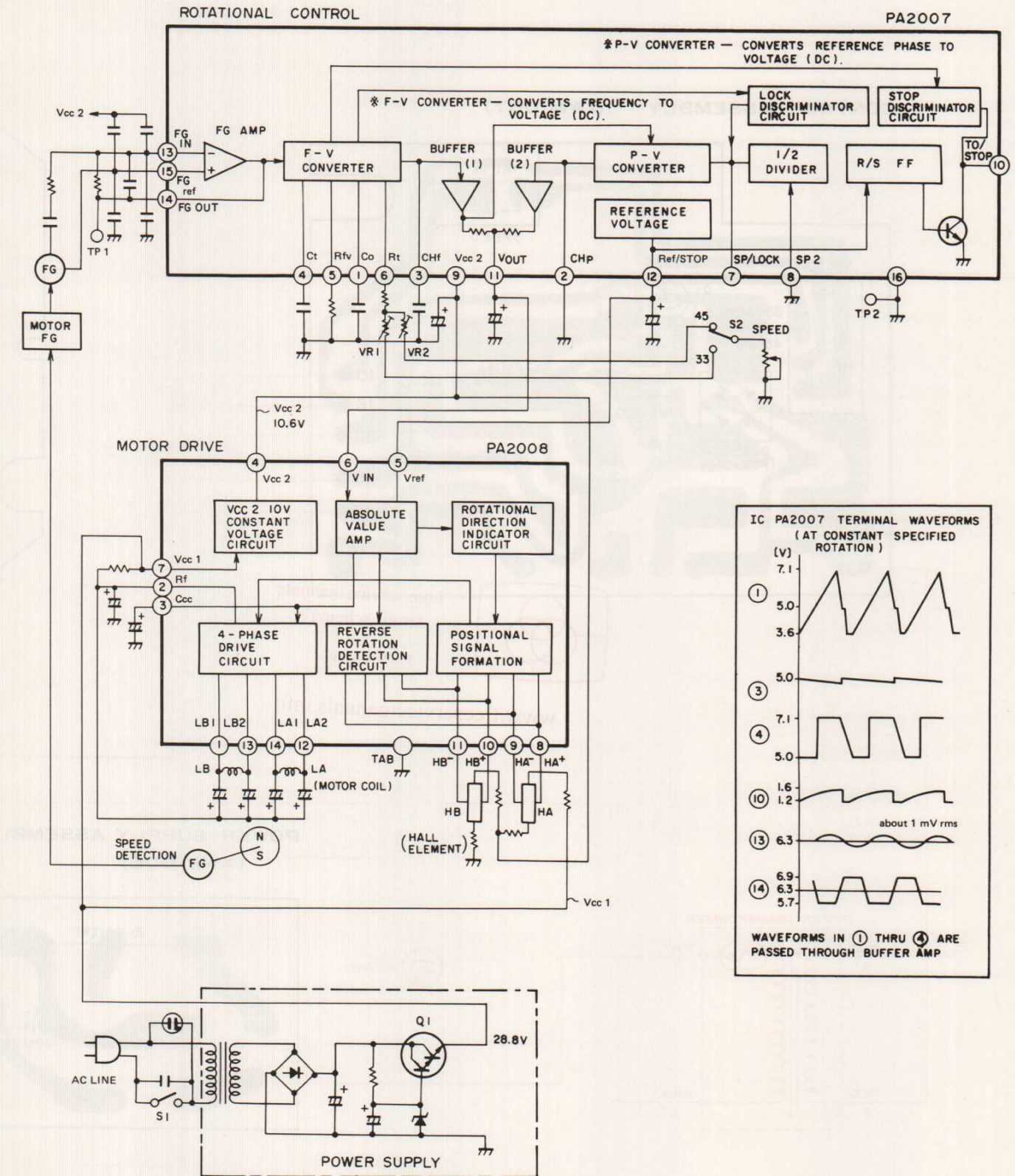


Fig. 5-10 Wiring the connector

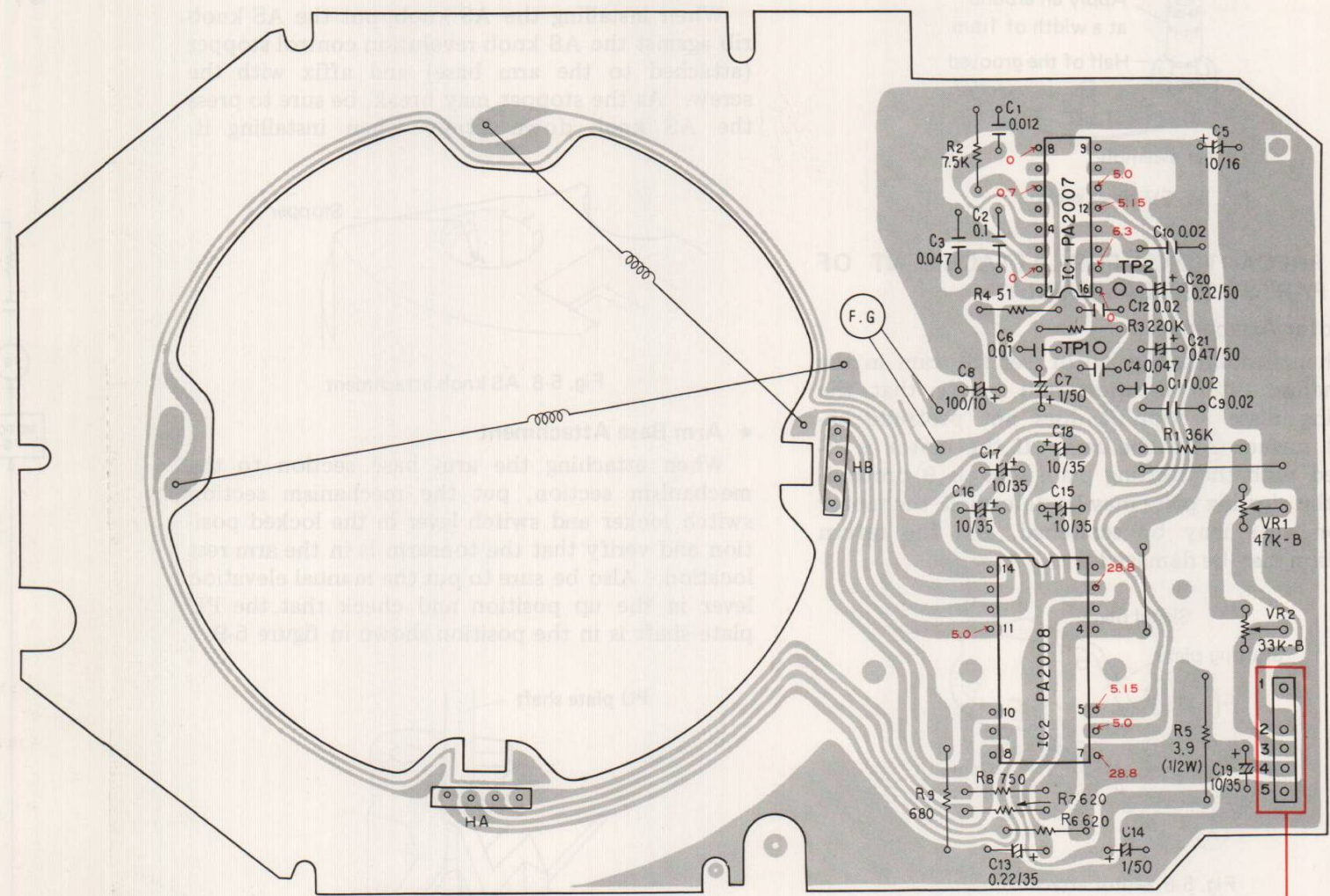
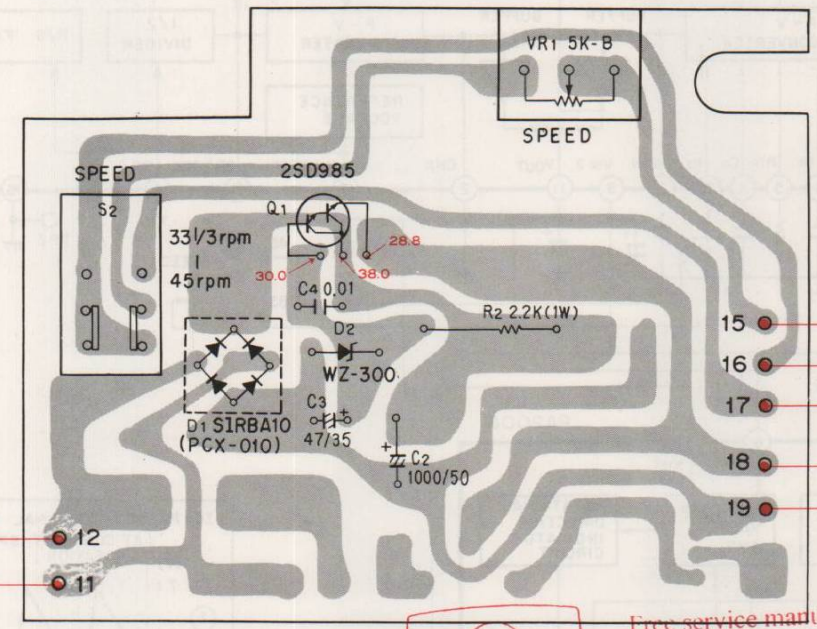
## 6. BLOCK DIAGRAM



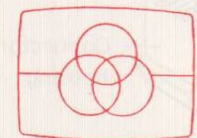
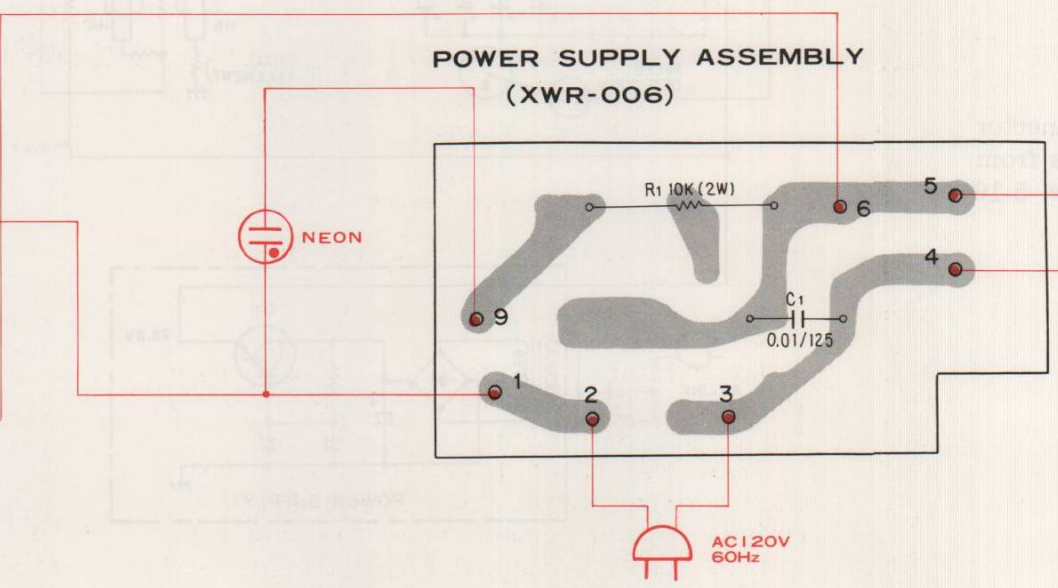
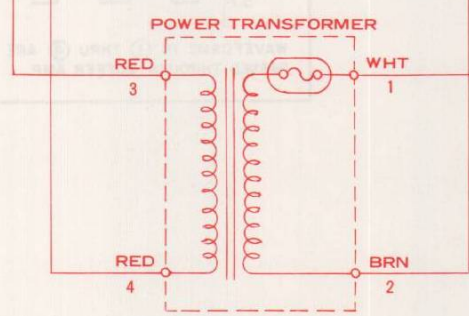
# 7. P.C.BOARDS CONNECTION DIAGRAM

## MOTOR CONTROL ASSEMBLY(PWM-060)

### CONTROL ASSEMBLY (XWM-057)



### POWER SUPPLY ASSEMBLY (XWR-006)

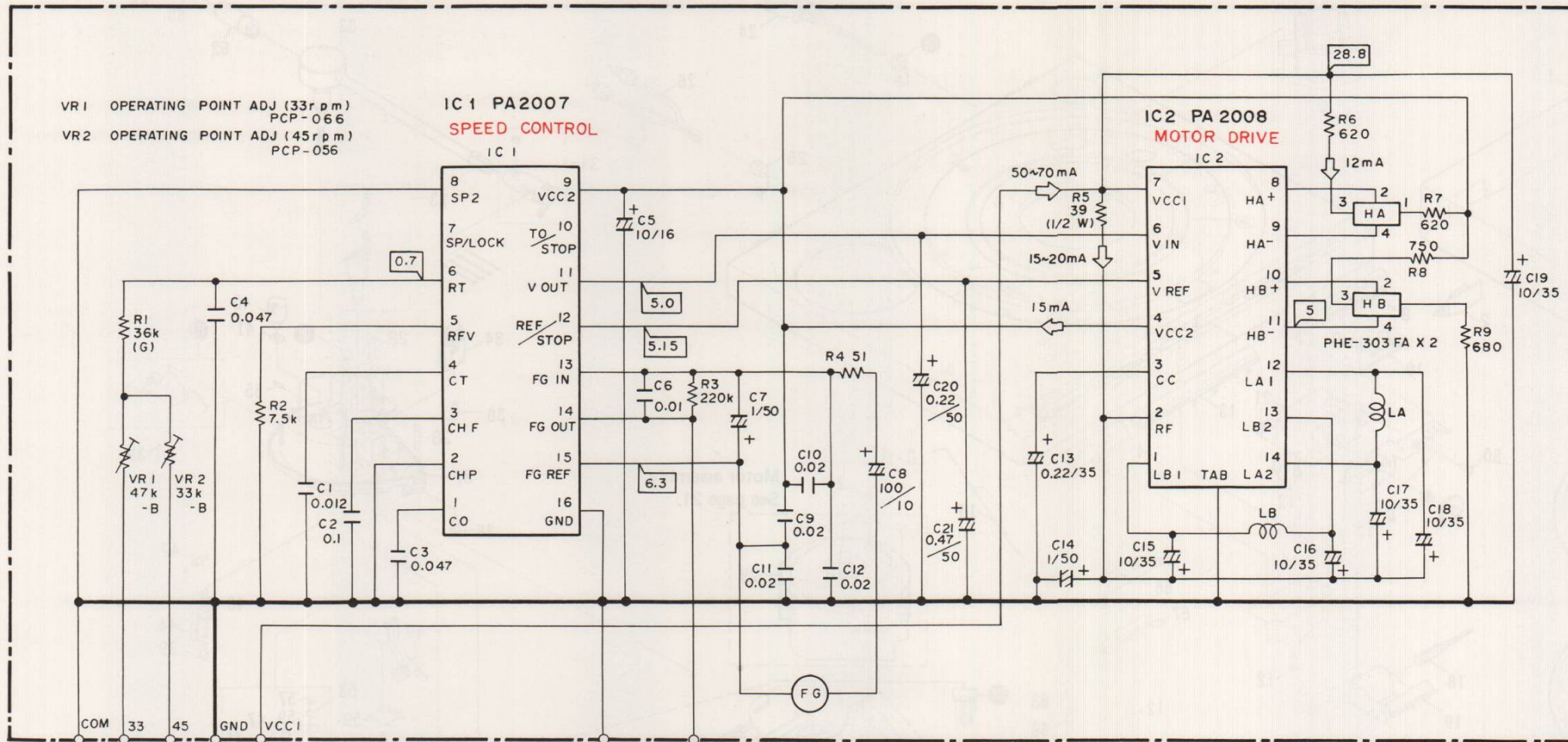


Free service manuals  
Gratis schema's  
Digitized by

www.freeservicemanuals.info

# 8. SCHEMATIC DIAGRAM

## MOTOR CONTROL ASSEMBLY (PWM-060)



- 1. RESISTORS:  
Indicated in  $\Omega$ ,  $\frac{1}{4}W$ ,  $\pm 5\%$  tolerance unless otherwise noted k :  $k\Omega$ , M :  $M\Omega$ , (F) :  $\pm 1\%$ , (G) :  $\pm 2\%$ , (K) :  $\pm 10\%$  (M) :  $\pm 20\%$  tolerance
- 2. CAPACITORS:  
Indicated in capacity ( $\mu F$ )/voltage (V) unless otherwise noted p : pF  
Indication without voltage is 50V except electrolytic capacitor.

- 3. VOLTAGE, CURRENT:  
 : DC voltage (V) at no input signal  
 : DC current (mA) at no input signal

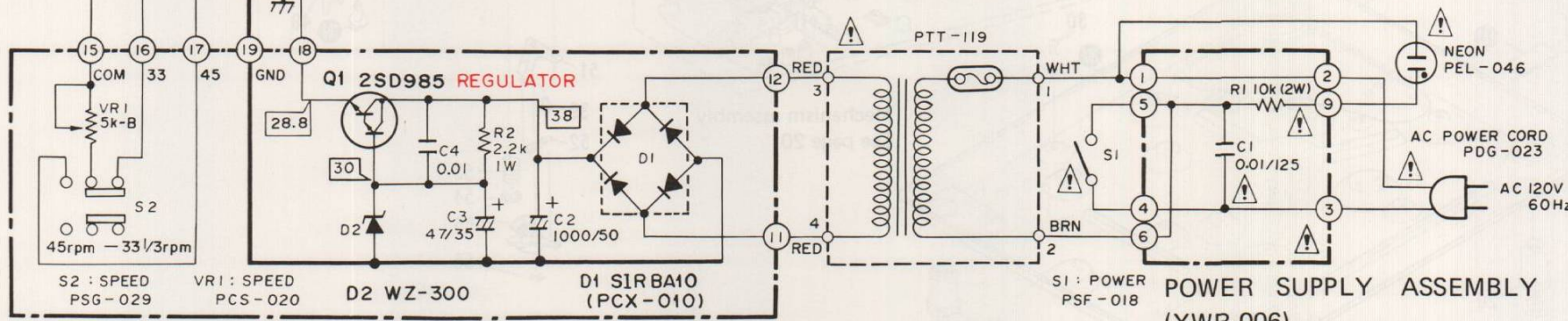
- 4. OTHERS:  
 : Adjusting point.  
 : The  $\triangle$  mark found on some component parts indicates the importance of the safety factor of the part. Therefore, when replacing, be sure to use parts of identical designation.

This is the basic schematic diagram, but the actual circuit may vary due to improvements in design.

### SWITCHES:

- S1 : POWER ON - OFF
- S2 : SPEED 33 $\frac{1}{3}$  rpm - 45 rpm

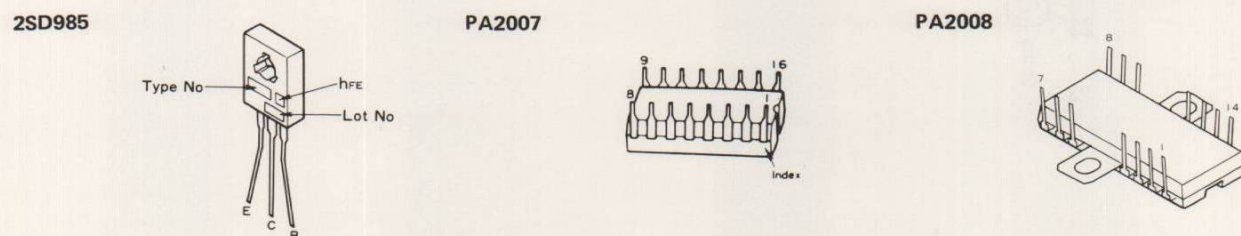
The underlined indicates the switch position.



### CONTROL ASSEMBLY (XWM-057)

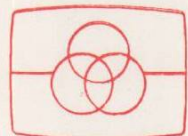
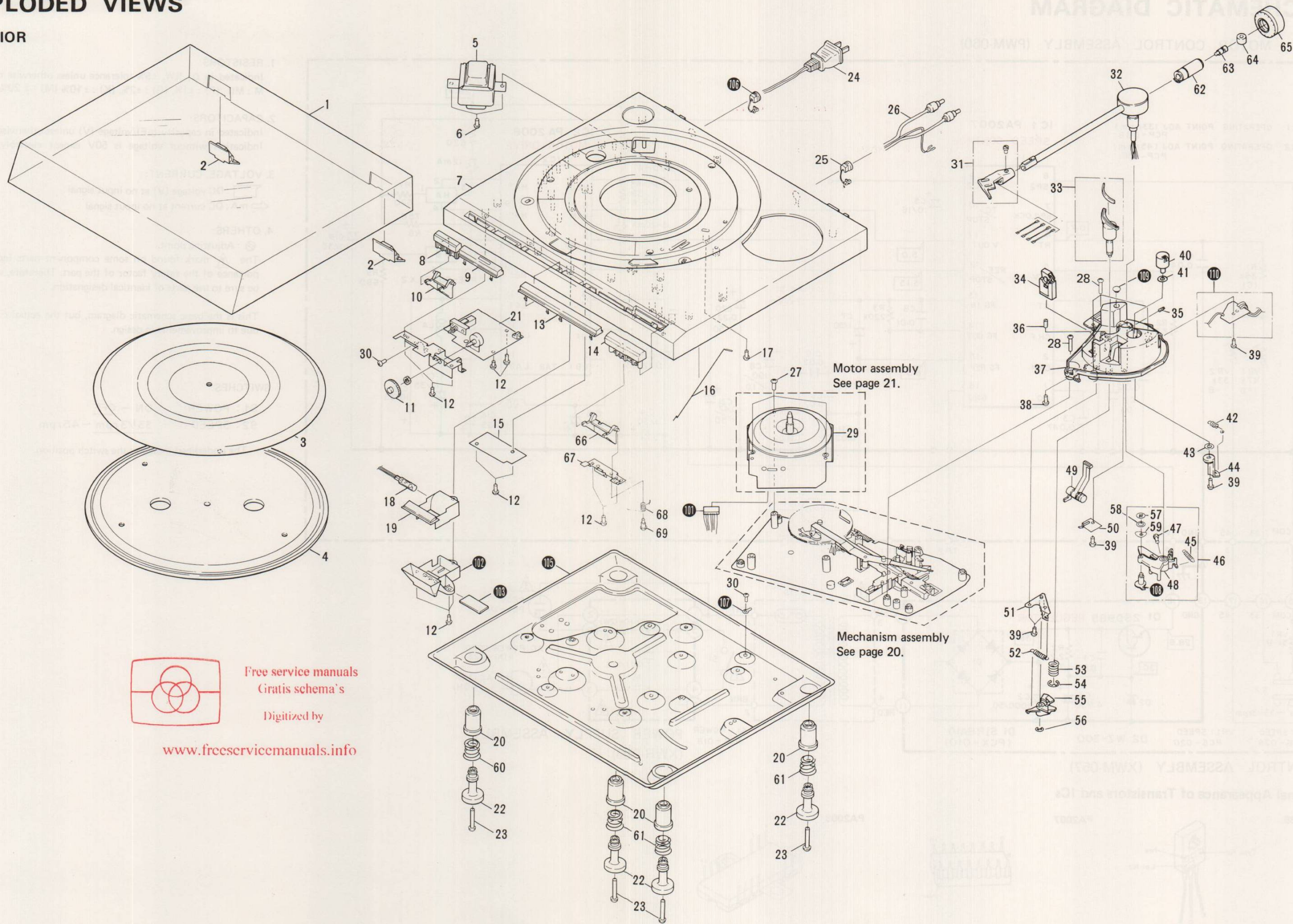
### POWER SUPPLY ASSEMBLY (XWR-006)

### External Appearance of Transistors and ICs



# 9. EXPLODED VIEWS

## 9.1 EXTERIOR




Free service manuals  
Gratis schema's

Digitized by




[www.freesevicemanuals.info](http://www.freesevicemanuals.info)

## NOTES:

- Parts without part number cannot be supplied.
- The  mark found on some component parts indicates the importance of the safety factor of the part. Therefore, when replacing, be sure to use parts of identical designation.
- For your Parts Stock Control, the fast moving items are indicated with the marks **★★** and **★**.  
**★★ GENERALLY MOVES FASTER THAN ★**  
This classification shall be adjusted by each distributor because it depends on model number, temperature, humidity, etc.

www.freesevicemanuals.info

## Parts List

Mark	No.	Part No.	Description	Mark	No.	Part No.	Description
★	1.	PNV-034	Dust cover		41.	PBF-017	Washer
★	2.	PXB-155	Hinge assembly		42.	PBH-292	Spring
	3.	PEA-057	Rubber mat assembly		43.	PBE-012	AS spring washer
	4.	PNR-164	Turntable platter		44.	PNX-335	AS plate
	★	5.	PTT-119	Power transformer (120V)	45.	PBH-308	PU plate spring
	6.	PLZ40P120FMC	Screw	46.	PXB-231	PU plate (B) assembly	
	7.	PNX-279	Panel	47.	PMD40P080FMC	Screw	
	8.	PAD-088	SP knob (A) unit	48.	PNX-301	PU plate (A)	
	9.	PAM-076	Front name plate (C)	49.	PNX-336	EV cam lever	
	10.	PNX-292	Switch lever (B)	50.	PBK-053	EV plate spring (A)	
	11.	PAC-086	Adjustment knob	51.	PXT-462	EV plate spring (B) unit	
	12.	PPZ30P080FMC	Screw	52.	PBH-238	EV cam spring	
	13.	PAM-078	Front name plate (E)	53.	PBH-293	EV spring	
	14.	PAD-093	C knob unit	54.	YE50S	E-type washer	
	15.	XWR-006	Power supply assembly	55.	PNX-339	EV cam	
	16.	PXB-241	Cut pole assembly	56.	YE30S	E-type washer	
	17.	IPZ30P080FMC	Screw	57.	YS40FBT	Fixed washer	
	★★	18.	PEL-046	Neon lamp	58.	WC40FMC	Plate washer
	19.	PNX-298	Lens holder	59.	PNC-227	PU plate spring washer	
	20.	PEB-194	Damper cushion	60.	PBH-295	Spring	
	21.	XWM-057	Control assembly	61.	PBH-294	Spring	
	22.	PNX-293	Holder	62.	PXT-596	Weight shaft unit	
	23.	PBA-118	Screw	63.	PBA-535	Screw	
		24.	PDG-023	Power cord	64.	PNT-554	Rubber bush
	25.	PEC-056	Strain relief	65.	PXB-501	Weight assembly	
	26.	PDE-064	PU cord	66.	PNX-303	Switch lever	
	27.	PBA-124	Screw	67.	PNC-217	Base (B)	
	28.	PBA-108	Screw	68.	PBH-307	Spring	
★★	29.	PXM-090	Motor	69.	PBA-086	Screw	
	30.	PDZ30P050FMC	Screw				
	31.	PXA-882	Headshell assembly	101.		Connector	
★	32.	PPD-624	Tonearm assembly	102.		Strobe holder	
★	33.	PXB-227	EV sheet assembly	103.		Mirror	
★	34.	PXB-247	Tonearm rest assembly	104.		Cut base	
	35.	ZMD40H080FBT	Screw	105.		Base	
	36.	ZMR30H150FZK	Screw	106.		Strain relief	
	37.	PNX-341	Tonearm base	107.		Lead unit (GND)	
	38.	IPZ30P100FMC	Screw	108.		Adjust cam	
	39.	VBZ30P080FMC	Screw	109.		Rubber bush	
	40.	PAC-100	AS knob	110.		PU cord assembly	

1

2

3

### 9.2 MECHANISM ASSEMBLY

A

A

B

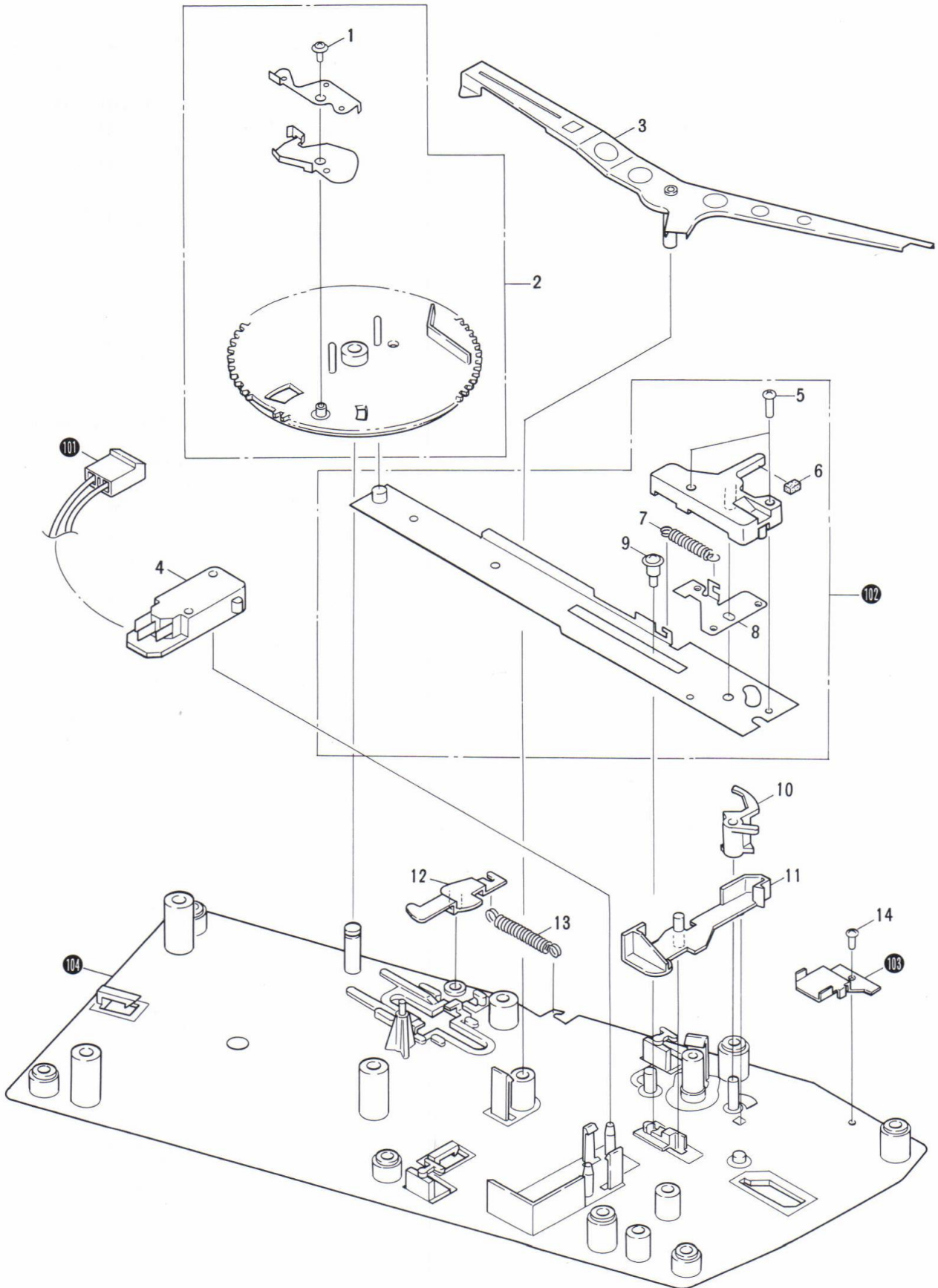
B

C

C

D

D



1

2

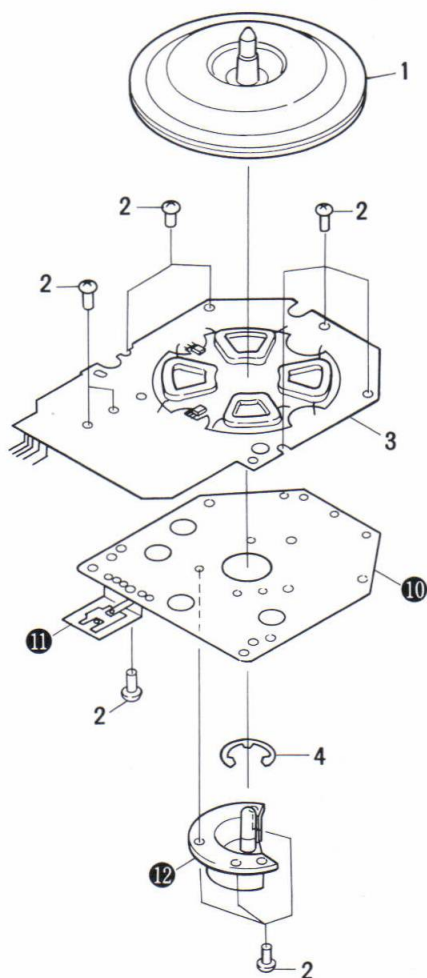
3



**Parts List**

Mark	No.	Part No.	Description	Mark	No.	Part No.	Description
	1.	PBA-126	Screw		11.	PNX-030	Switch lever
	2.	PYY-100	Cam assembly		12.	PNX-035	Lock plate
	3.	PXT-446	Detector lever unit		13.	PBH-225	Lock plate spring
⚠ **	4.	PSF-018	Microswitch		14.	PDZ30P050FMC	Screw
	5.	PMZ26P100FMC	Screw				
	6.	PEC-065	EV cam buffer		101.		Connector assembly
	7.	PBH-224	Start plate spring		102.		Driving plate assembly
	8.	PNC-220	Start plate		103.		Protection plate
	9.	PBA-123	Screw		104.		Sub-panel unit
	10.	PNX-031	Switch lock angle				

**9.3 MOTOR ASSEMBLY (PXM-090)**



**Parts List**

Mark	No.	Part No.	Description
	1.	PXT-458	Rotor unit
	2.	PSZ30P050FMC	Screw
	3.	PWM-060	Motor control assembly
	4.		E ring (ETW-12)
	10.		Base
	11.		Heat sink
	12.		Shaft holder

# 10. ELECTRICAL PARTS LIST

### NOTES:

- When ordering resistors, first convert resistance values into code form as shown in the following examples.

Ex. 1 When there are 2 effective digits (any digit apart from 0), such as 560 ohm and 47k ohm (tolerance is shown by J=5%, and K=10%).

560Ω	56 × 10 <sup>1</sup>	561 . . . . .	RD¼PS	567 J
47kΩ	47 × 10 <sup>3</sup>	473 . . . . .	RD¼PS	473 J
0.5Ω	0R5	.....	RN2H	055 K
1Ω	010	.....	RS1P	010 K

Ex. 2 When there are 3 effective digits (such as in high precision metal film resistors).

5.62kΩ	562 × 10 <sup>1</sup>	5621 . . . . .	RN¼SR	5621 F
--------	-----------------------	----------------	-------	--------

- The  $\Delta$  mark found on some component parts indicates the importance of the safety factor of the part. Therefore, when replacing, be sure to use parts of identical designation.

- For your Parts Stock Control, the fast moving items are indicated with the marks **★★** and **★**.

**★★** GENERALLY MOVES FASTER THAN **★**

This classification shall be adjusted by each distributor because it depends on model number, temperature, humidity, etc.

## Power Supply Assembly (XWR-006)

Mark	Part No.	Symbol & Description	Mark	Part No.	Symbol & Description
$\Delta$	PCL-036	C1 Capacitor		CEA 100P 35	C15-C19
$\Delta$	RS2PF 103J	R1 Resistor		CEANL R22M 50	C20
				CEA R47P 50	C21

## Control Assembly (XWM-057)

### SEMICONDUCTORS

Mark	Part No.	Symbol & Description
★★	2SD985-K	Q1
★	WL02	D1
★	WZ-300	D2

### SWITCH, CAPACITORS and RESISTORS

Mark	Part No.	Symbol & Description
★★	PSG-029	S2
	CEA102M 59L	C2
	CEA470M 35L	C3
	CKDYF103Z 50	C4
★	PCS-016	VR1
	RS1PF222J	R2

## Motor Control Assembly (PWM-060)

### CAPACITORS

Mark	Part No.	Symbol & Description
	CQMA 1 23K 50	C1
	CKDYF 104Z 50	C2
	CQMA 473K 50	C3
	CKDYF 473Z 50	C4
	CEA 100P 16	C5
	CKDYF 103Z 50	C6
	CEA 010P 50	C7,C14
	CEA 101P 10	C8
	CKDYF 203Z 50	C9-C12
	CSZA R22M 35	C13

### RESISTORS

NOTE: When ordering resistors, convert the resistance value into code form, and then rewrite the part no. as before.

Mark	Part No.	Symbol & Description
	RD 1/4 PM □□□J	R2-R4,R6-R9
	RD1/2PS 3R9J	R5
	RN1/4PR 363G	R1
★	PCP-052	VR1 (47k-B)
★	PCP-056	VR2 (33k-B)

### SEMICONDUCTORS

Mark	Part No.	Symbol & Description
★★	PA2007	IC1
★★	PA2008	IC2

### OTHERS

Mark	Part No.	Symbol & Description
★	PCX-039	HA,HB Hall element

# 11. ADJUSTMENTS

## 11.1 AUTO-RETURN ADJUSTMENT

1. Turn the auto return adjustment screw full around counter-clockwise.
2. When the auto return adjustment screw is turned back a little at a time clockwise, the tonearm will commence to return to the outer circumference.
3. Stop turning the adjustment screw once the stylus tip is 33mm away from the center shaft.
4. Once the above adjustment procedure has been completed, check that the tonearm returns automatically as designed.

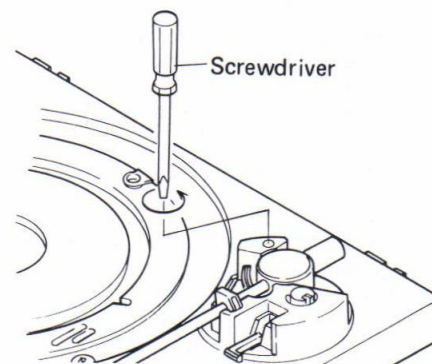


Fig. 11-1 Auto-return adjustment

## 11.2 ARM-ELEVATION ADJUSTMENT

To proceed with the elevation sheet height adjustment, insert the hexagonal wrench (for 3mm) into the hole at the front of the EV sheet and rotate it clockwise to reduce the height and counter-clockwise to increase the height. The height of the stylus tip from the record surface is  $7 \pm 2$ mm.

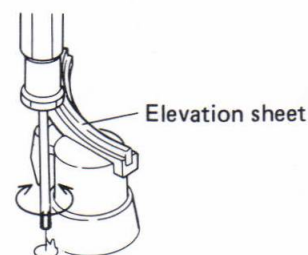


Fig. 11-2 Arm-elevation adjustment

## 11.3 MOTOR OPERATING POINT ADJUSTMENT

1. Press the START/STOP button to start the turntable.
2. Set the player speed adjustment knob to the mechanical center.
3. Adjust the semi-fixed resistor on the motor control assembly so that the strobo stops. (Fig. 11-3)

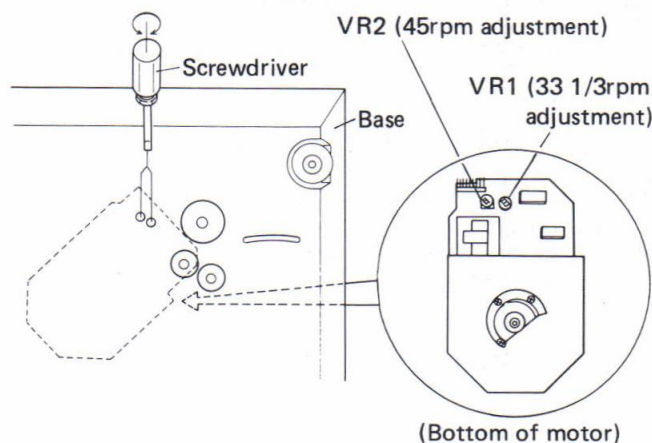


Fig. 11-3 Motor adjustment

## 11. RÉGLAGE

### 11.1 RÉGLAGE DU RETOUR AUTOMATIQUE DU BRAS

1. Tourner la vis de réglage du retour automatique du bras à fond dans le sens contraire des aiguilles d'une montre.
2. Lorsque la vis de réglage du retour automatique du bras est tournée d'une petite quantité dans le sens des aiguilles d'une montre, les bras de lecture commencent à retourner vers la périphérie du plateau.
3. Arrêter de tourner la vis de réglage lorsque l'extrémité de la pointe de lecture se trouve à 33mm de l'axe central.
4. Lorsque le réglage décrit ci-dessus est terminé, vérifier que le bras de lecture retourne automatiquement de la manière désirée.

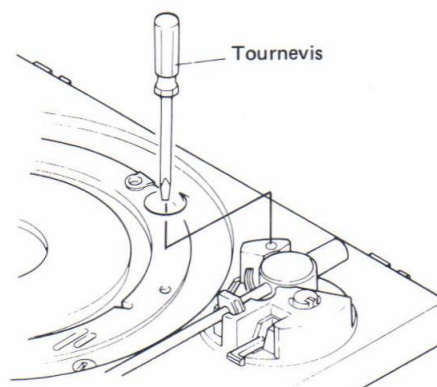


Fig. 11-1 Réglage du retour automatique du bras

### 11.2 RÉGLAGE DE LA MONTÉE DU BRAS

Pour régler la hauteur de la plaque de montée, introduire une clé hexagonale (de 3mm) dans le trou situé devant la plaque "EV" et la tourner dans le sens des aiguilles d'une montre pour réduire la hauteur, ou dans le sens contraire des aiguilles d'une montre pour augmenter la hauteur. La hauteur de l'extrémité de la pointe de lecture au-dessus de la surface du disque est de  $7 \pm 2$ mm.

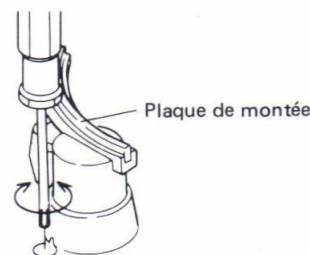


Fig. 11-2 Réglage de la montée du bras

### 11.3 RÉGLAGE DU POINT DE FONCTIONNEMENT DU MOTEUR

1. Appuyer sur la touche START/STOP pour faire démarrer le tourne-disque.
2. Régler le bouton de réglage de vitesse de la platine sur la position mécanique centrale.
3. Régler la résistance ajustable de l'assemblée contrôle de moteur à ce que le motif stroboscopique s'arrête (Fig. 11-3).

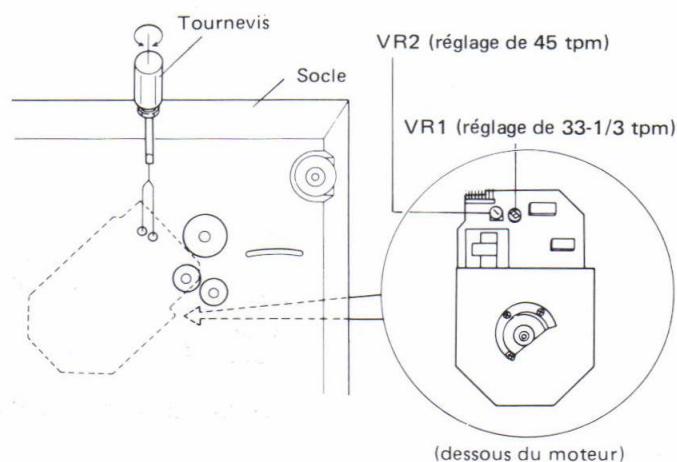


Fig. 11-3 Réglage de la vitesse du moteur

# 11. AJUSTE

## 11.1 AJUSTE PARA EL RETORNO AUTOMÁTICO

1. Girar el tornillo de ajuste del retorno automático completamente hacia la izquierda.
2. Cuando el tornillo de ajuste del retorno automático se gira un poco hacia la derecha, el brazo fonocaptor empezará a volver hacia la circunferencia exterior.
3. Dejar de girar el tornillo de ajuste cuando la punta de la aguja esté a 33mm del eje central.
4. Una vez realizado el ajuste arriba mencionado, comprobar que el brazo fonocaptor retorna automáticamente como se ha designado.

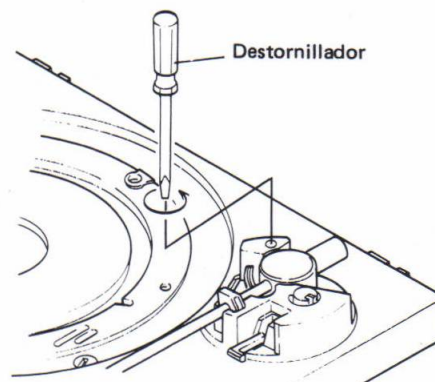


Fig. 11-1 Ajuste del retorno automático

## 11.2 AJUSTE DE LA ELEVACIÓN DEL BRAZO

Para proceder con el ajuste de la altura del dispositivo de elevación, insertar la llave de apriete hexagonal (de 3mm) en el orificio de la parte frontal del dispositivo de elevación y girarla hacia la derecha para reducir la altura y hacia la izquierda para aumentarla. La altura de la punta de la aguja desde la superficie del disco deberá ser de  $7 \pm 2$ mm.

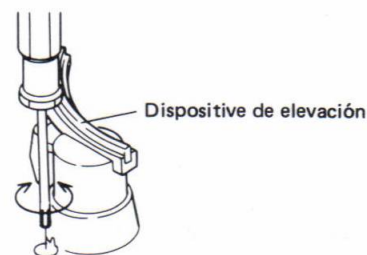
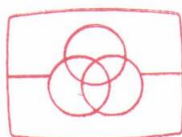


Fig. 11-2 Ajuste de la elevación del brazo

## 11.3 AJUSTE DEL PUNTO DE OPERACION DEL MOTOR

1. Presionar el botón de inicio/parada (START/STOP) para poner en funcionamiento el giradiscos.
2. Ajustar el mando de ajuste de la velocidad del giradiscos en el centro mecánicamente.
3. Ajustar el resistor semifijo del conjunto de la control del motor de modo que se detenga el estroboscopio. (Fig. 11-3).



Free service manuals  
Gratis schema's

Digitized by

www.freesevicemanuals.info

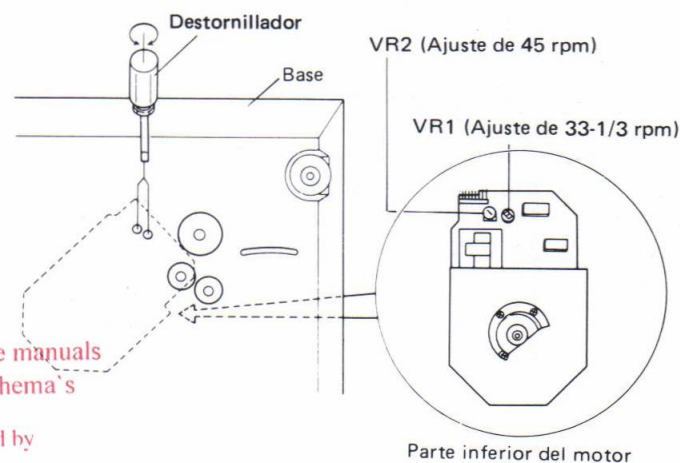
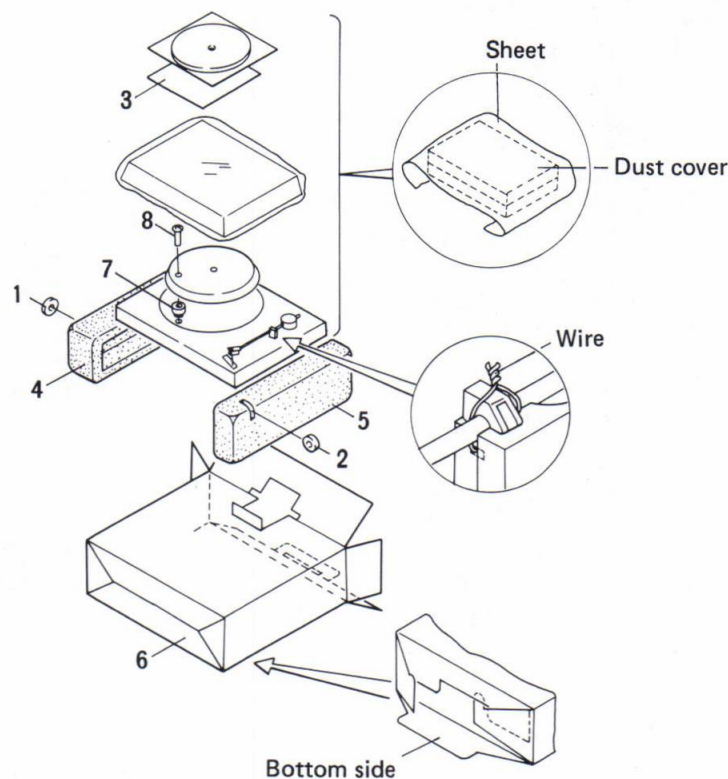


Fig. 11-3 Ajuste de la rotación del motor

# 12. PACKING



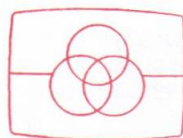
## Parts List

Mark	No.	Part No.	Description
	1.	N93-603	45 adaptor
	2.	PXB-501	Weight assembly
	3.	PRB-191	Operating instructions
	4.	PHA-127	Protector (L)
	5.	PHA-128	Protector (R)
	6.	PHG-441	Packing case
	7.	PNX-294	Turntable platter packing
	8.	PBA-100	Screw
	9.		
	10.		

ADDITIONAL


**PIONEER®**

# Service Manual


 Free service manuals  
 Gratis schema's

Digitized by

**ORDER NO.  
 ART-710-0**

STEREO TURNTABLE

# PL-4

# PL-320

WE, WB, WP

WE, WB, WP

[www.freeservicemanuals.info](http://www.freeservicemanuals.info)

- This additional service manual is applicable to the PL-4/WE, WB, WP and PL-320/WE, WB, WP types.
- This basic performance of the PL-4/WE, WB, WP and PL-320/WE, WB, WP types is the same as the PL-4/KUT type. Please refer to the PL-4/KUT type service manual (ART-709) with the exception of this supplements.
- Both model PL-4 and PL-320 have the same basic mechanism and performance. The only difference is in appearance.

## 1. SPECIFICATIONS

The specifications for PL-4/WE, WB, WP and PL-320/WE, WB, WP types are the same as the PL-4/KUT type except for following sections;

### Miscellaneous

#### Power Requirements

PL-4/WE, WB, WP and PL-320/WE, WB, WP types  
 ..... AC 220V-240V 50/60Hz

#### Power Consumption

PL-4/WE, WB, WP and PL-320/WE, WB, WP types  
 ..... 12W

#### Cartridge

Without cartridge ..... PL-4/KUT  
 PC-3MC ..... PL-4/WE, WB, WP  
 PC-220 ..... PL-320/WE, WB, WP

### PC-3MC Specifications

Type ..... Moving coil type  
 Stylus ..... 0.5mil diamond (PN-3MC)  
 Output Voltage ..... 2.5mV  
 (1kHz, 50mm/s Peak velocity, LAT)  
 Tracking Force ..... 1.7g to 2.3g (proper 2g)  
 Frequency Response ..... 10 to 32,000Hz  
 Recommended Load ..... 50kΩ  
 Weight ..... 3.1g

## 2. ELECTRICAL PARTS LIST

### NOTES:

- When ordering resistors, first convert resistance values into code form as shown in the following examples.

Ex. 1 When there are 2 effective digits (any digit apart from 0), such as 560 ohm and 47k ohm (tolerance is shown by J=5%, and K=10%).

560Ω	56 × 10 <sup>1</sup>	561 . . . . .	RD¼PS	561 J
47kΩ	47 × 10 <sup>3</sup>	473 . . . . .	RD¼PS	473 J
0.5Ω	0R5	.....	RN2H	0R5 K
1Ω	010	.....	RS1P	010 K

Ex. 2 When there are 3 effective digits (such as in high precision metal film resistors).

5.62kΩ	562 × 10 <sup>1</sup>	5621 . . . .	RN¼SR	5621 F
--------	-----------------------	--------------	-------	--------

- The  $\triangle$  mark found on some component parts indicates the importance of the safety factor of the part. Therefore, when replacing, be sure to use parts of identical designation.
- For your Parts Stock Control, the fast moving items are indicated with the marks **★★** and **★**.  
**★★ GENERALLY MOVES FASTER THAN ★**  
 This classification shall be adjusted by each distributor because it depends on model number, temperature, humidity, etc.

### Power Supply Assembly (XWR-016)

Mark	Part No.	Symbol & Description
$\triangle$	PCL-041	C1 Capacitor
$\triangle$	RS2HSFB 333JL	R1 Resistor

Mark	Part No.	Symbol & Description
	CKDYF 103Z 50	C6
	CEA 010P 50	C7,C14
	(CEA 010M 50L)	
	CEA 101P 10	C8
	(CEA101M 10L)	
	CKDYF 203Z 50	C9-C12
	CSZA R22M 35	C13
	(CSYA R22M 50)	
	CEA 100P 35	C15-C19
	(CEA 100M 50L)	
	CEANL R22M 50	C20
	(CSZA R22M 35)	
	(CSYA R22M 50)	
	CEA R47P 50	C21
	(CEA R47M 50L)	

### Control Assembly (XWM-057)

Mark	Part No.	Symbol & Description
★★	2SD985-K	Q1
★	PCX-010 (WL02)	D1 (Bridge stack)
★	WZ-300 (MZ-300)	D2

### SWITCH,CAPACITORS and RESISTORS

Mark	Part No.	Symbol & Description
★★	PSG-029	S2
	CEA 102M 50L	C2
	CEA 470M 35L	C3
	CKDYF 103Z 50	C4
★	PCS-022	VR1 Semifixed 10k-B
	RS1PF 222J	R2

### RESISTORS

NOTE:When ordering resistors, convert the resistance value into code form, and then rewrite the part no. as before.

Mark	Part No.	Symbol & Description
	RN¼PR 363G	R1
	(RN¼PR 3572G)	
	(RN¼PR 3652G)	
	RD¼PM □□□J	R2-R4,R6-R9
	RD¼PS 3R9J	R5
★	PCP-066	VR1 Semifixed 47k-B
★	PCP-056	VR2 Semifixed 33k-B

### Motor Control Assembly (PWM-060)

#### CAPACITORS

Mark	Part No.	Symbol & Description
	CQMA 123K 50	C1
	CKDYF 104Z 50	C2
	CQMA 473K 50	C3
	CKDYF 473Z 50	C4
	CEA 100P 16	C5
	(CEA 100M 50L)	

### SEMICONDUCTORS

Mark	Part No.	Symbol & Description
★★	PA2007	IC1
★★	PA2008	IC2

### OTHERS

Mark	Part No.	Symbol & Description
★	PCX-039	HA,HB Hall element



### 3. P.C. BOARD PATTERNS

PL-4/WE, WB, WP and PL-320/WE, WB, WP types

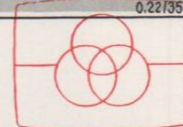
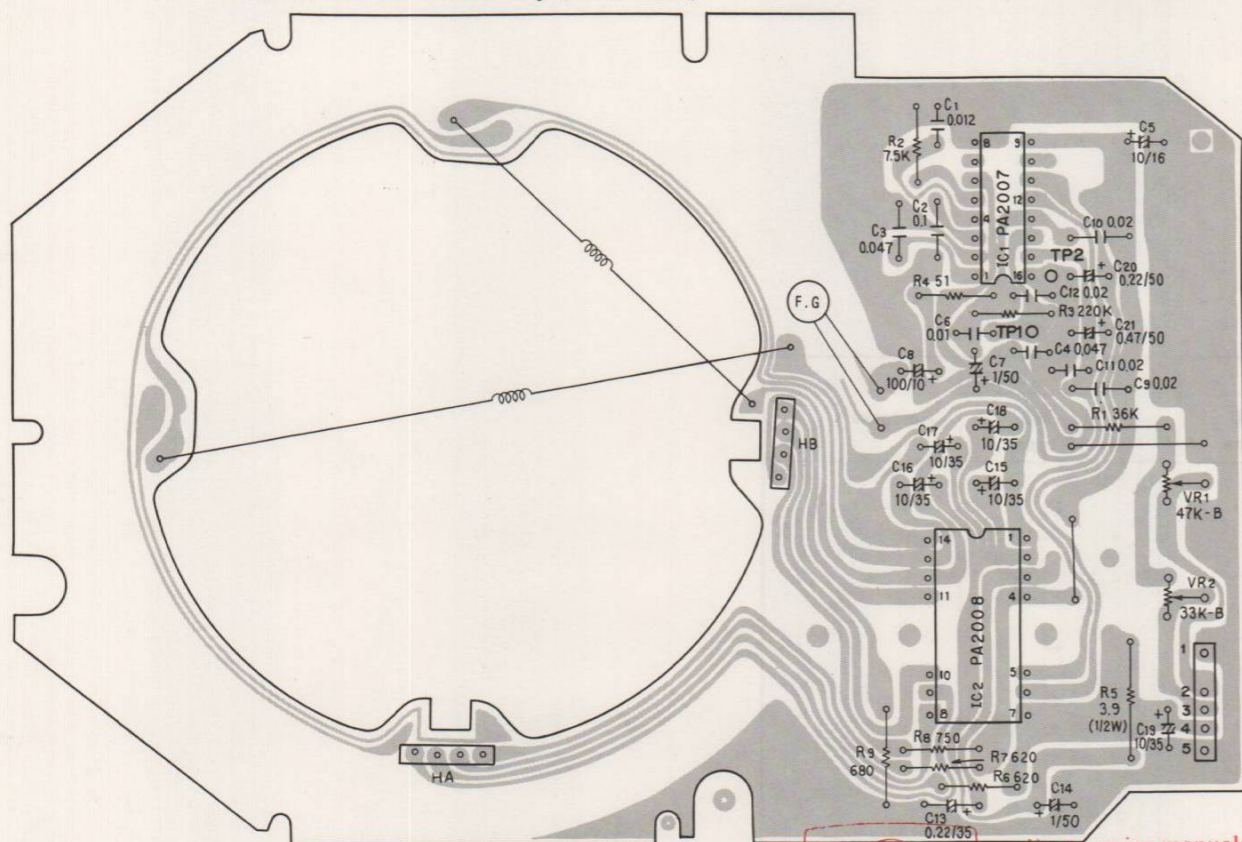
A

B

C

D

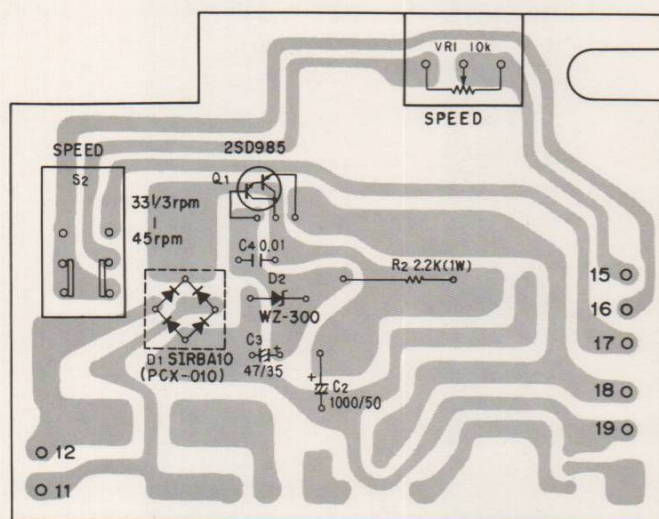
#### Motor Control Assembly (PWM-060)



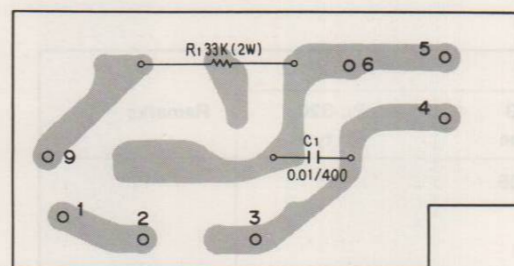
Free service manuals  
Gratis schema's  
Digitized by

www.freeservicemanuals.info

#### Control Assembly (XWM-057)



#### Power Supply Assembly (XWR-016)



### 4. SCHEMATIC DIAGRAM

PL-4/WE, WB, WP and PL-320/WE, WB, WP types

A

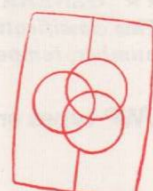
B

C

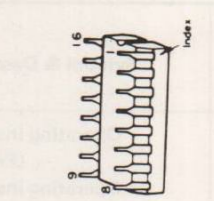
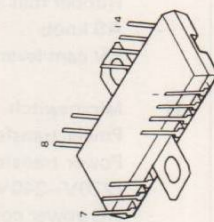
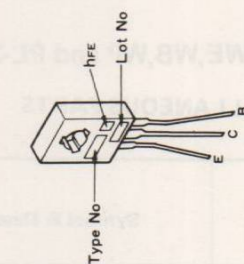
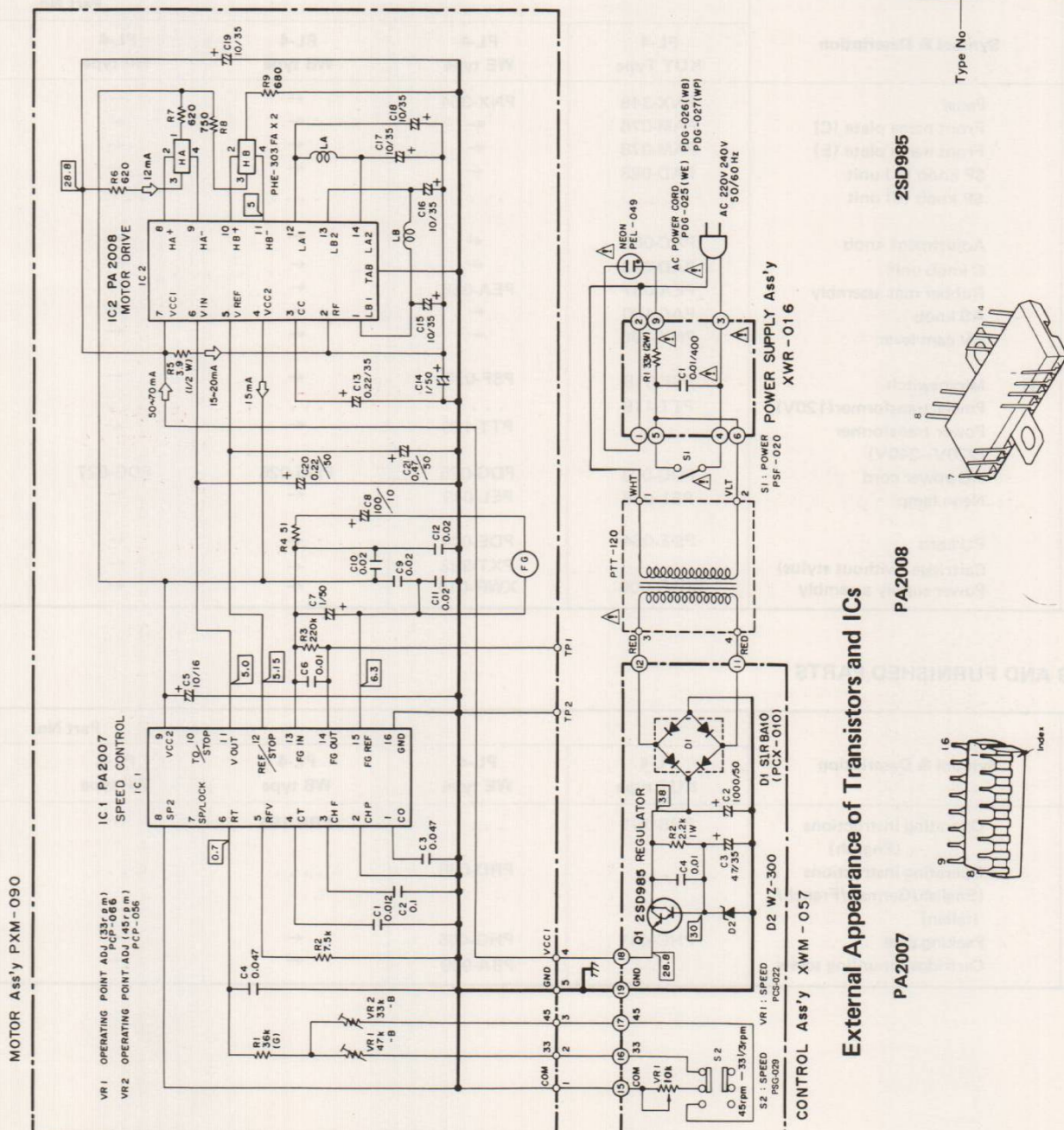
D

- RESISTORS:**  
Indicated in Ω, kΩ, ±5% tolerance unless otherwise noted k: kΩ, M: MΩ, (F): ±1%, (G): ±2%, (K): ±10%, (W): ±20% tolerance
- CAPACITORS:**  
Indicated in capacity (μF)/voltage (V) unless otherwise noted p: pF  
Indication without voltage is 50V except electrolytic capacitor.
- VOLTAGE, CURRENT:**  
⊖: DC voltage (V) at no input signal  
⊖: mA: DC current at no input signal
- OTHERS:**  
⊗: Adjusting point.  
The ⊗ mark found on some component parts indicates the importance of the safety factor of the part. Therefore, when replacing, be sure to use parts of identical designation.  
This is the basic schematic diagram, but the actual circuit may vary due to improvements in design.

**SWITCHES:**  
S1: POWER ON - OFF  
S2: SPEED 33/3 rpm - 45 rpm  
The underlined indicates the switch position.



Free service manuals  
Gratis schema's  
Digitized by  
www.freeservicemanuals.info



External Appearance of Transistors and ICs

2SD985

PA2008

PA2007

1

2

3

G

1

2

3

4

## 5. CONTRAST OF MISCELLANEOUS PARTS

### NOTES:

- Parts without part number cannot be supplied.
- The  $\Delta$  mark found on some component parts indicates the importance of the safety factor of the part. Therefore, when replacing, be sure to use parts of identical designation.
- For your Parts Stock Control, the fast moving items are indicated with the marks  $\star\star$  and  $\star$ .  
 $\star\star$  **GENERALLY MOVES FASTER THAN  $\star$**   
 This classification shall be adjusted by each distributor because it depends on model number, temperature, humidity, etc.

PL-4/WE,WB,WP and PL-320/WE,WB/WP types are the same as the PL-4/KUT type except for following sections.

### MISCELLANEOUS PARTS

Mark	Symbol & Description	Part No.							Remarks
		PL-4 KUT Type	PL-4 WE type	PL-4 WB type	PL-4 WP type	PL-320 WE type	PL-320 WB type	PL-320 WP type	
	Panel	PNX-348	PNX-354	←	←	PNX-358	←	←	
	Front name plate (C)	PAM-076	←	←	←	PAM-082	←	←	
	Front name plate (E)	PAM-078	←	←	←	PAM-085	←	←	
	SP knob (A) unit	PAD-088	←	←	←	....	....	....	
	SP knob (B) unit	....	....	....	....	PAD-090	←	←	
	Adjustment knob	PAC-086	←	←	←	PAC-092	←	←	
	C knob unit	PAD-093	←	←	←	PAD-095	←	←	
	Rubber mat assembly	PEA-057	PEA-058	←	←	←	←	←	
	AS knob	PAC-100	←	←	←	PAC-101	←	←	
	EV cam lever	PNX-336	←	←	←	PNX-344	←	←	
$\Delta$ $\star\star$	S1 Microswitch	PSF-018	PSF-020	←	←	←	←	←	
$\Delta$ $\star$	Power transformer(120V)	PTT-119	....	....	....	....	....	....	
$\Delta$ $\star$	Power transformer (220V-240V)	....	PTT-120	←	←	←	←	←	
$\Delta$	AC power cord	PDG-023	PDG-025	PDG-026	PDG-027	PDG-025	PDG-026	PDG-027	
$\Delta$ $\star\star$	Neon lamp	PEL-046	PEL-049	←	←	←	←	←	
	PU cord	PDE-064	PDE-044	←	←	←	←	←	
	Cartridge (without stylus)	....	PXT-982	←	←	PXT-997	←	←	
$\Delta$	Power supply assembly	XWR-006	XWR-016	←	←	←	←	←	

### PACKING AND FURNISHED PARTS

Mark	Symbol & Description	Part No.							Remarks
		PL-4 KUT type	PL-4 WE type	PL-4 WB type	PL-4 WP type	PL-320 WE type	PL-320 WB type	PL-320 WP type	
	Operating instructions (English)	PRB-191	....	PRB-195	←	....	PRB-205	←	
	Operating instructions (English/German/French/ Italian)	....	PRD-066	....	....	PRD-073	....	....	
	Packing case	PHG-441	PHG-465	←	←	PHG-458	←	←	
	Cartridge mounting screw	....	PBA-909	←	←	←	←	←	