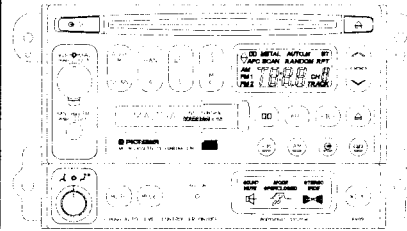


Service Manual

PIONEER
The Art of Entertainment



PION - 04574



ORDER NO.
CRT1481

TUNER DECK • CD PLAYER

FH-5071ZM

US

- This model has installed in MAZDA ROADSTER.
(MAZDA No. NA52 66 9W0A)
- This additional service manual is designed to be used together with Model DEH-K4141ZM/US Service Manual(CRT1196). Refer to it for circuit description and adjustment, etc. which are not shown in this manual.
- Dolby noise reduction manufactured under license from Dolby Laboratories Licensing Corporation. "Dolby" and the double-D symbol are trademarks of Dolby Laboratories Licensing Corporation.

CONTENTS

1. GENERAL GUIDE.....	2	9. CONNECTION DIAGRAM(3).....	28
2. CONNECTOR FUNCTION DESCRIPTION.....	4	10. SCHEMATIC CIRCUIT DIAGRAM(3).....	31
3. DISASSEMBLY.....	4	11. CHASSIS EXPLODED VIEW(1).....	33
4. ADJUSTMENT.....	7	12. CHASSIS EXPLODED VIEW(2).....	36
5. CONNECTION DIAGRAM(1).....	12	13. CHASSIS EXPLODED VIEW(3).....	39
6. SCHEMATIC CIRCUIT DIAGRAM(1).....	19	14. CD MECHANISM UNIT EXPLODED VIEW.....	43
7. SCHEMATIC CIRCUIT DIAGRAM(2).....	22	15. CASSETTE MECHANISM ASSY EXPLODED VIEW.....	47
8. CONNECTION DIAGRAM(2).....	25	16. ELECTRICAL PARTS LIST.....	51

PIONEER ELECTRONIC CORPORATION 4-1, Meguro 1-Chome, Meguro-ku, Tokyo 153, Japan
PIONEER ELECTRONICS SERVICE INC. P.O. Box 1760, Long Beach, California 90801 U.S.A.
PIONEER ELECTRONICS OF CANADA, INC. 300 Allstate Parkway Markham, Ontario L3R 0P2 Canada
PIONEER ELECTRONIC [EUROPE] N.V. Haven 1087 Keetberglaan 1, 9120 Melsele, Belgium
PIONEER ELECTRONICS AUSTRALIA PTY. LTD. 178-184 Boundary Road, Braeside, Victoria 3195, Australia TEL: [03] 580-9911
 © **PIONEER ELECTRONIC CORPORATION 1992**

FK AUG. 1992 Printed in Japan

4574

FH-5071ZM

1. GENERAL GUIDE RADIO, CLOCK

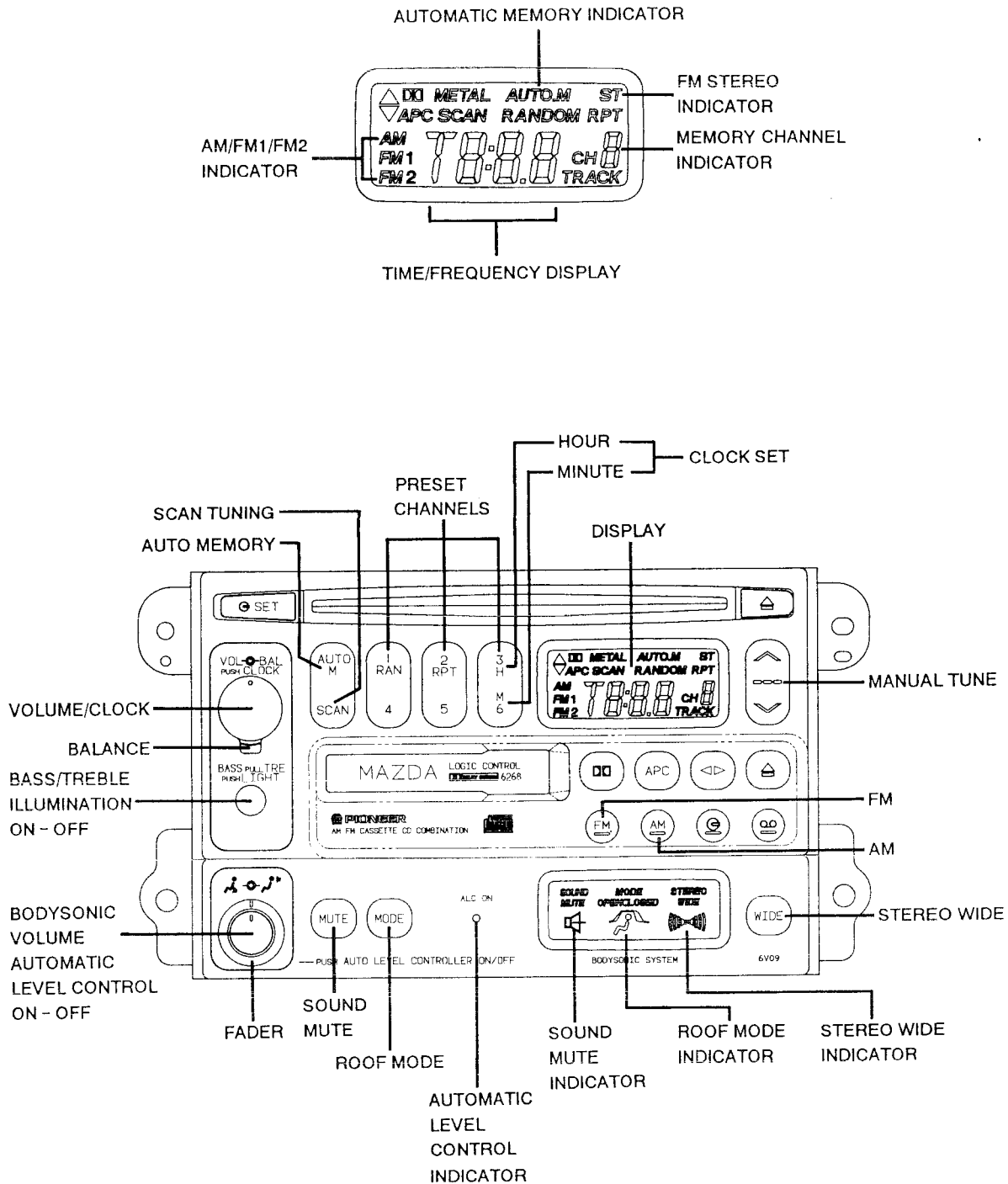


Fig. 1



CD, CASSETTE

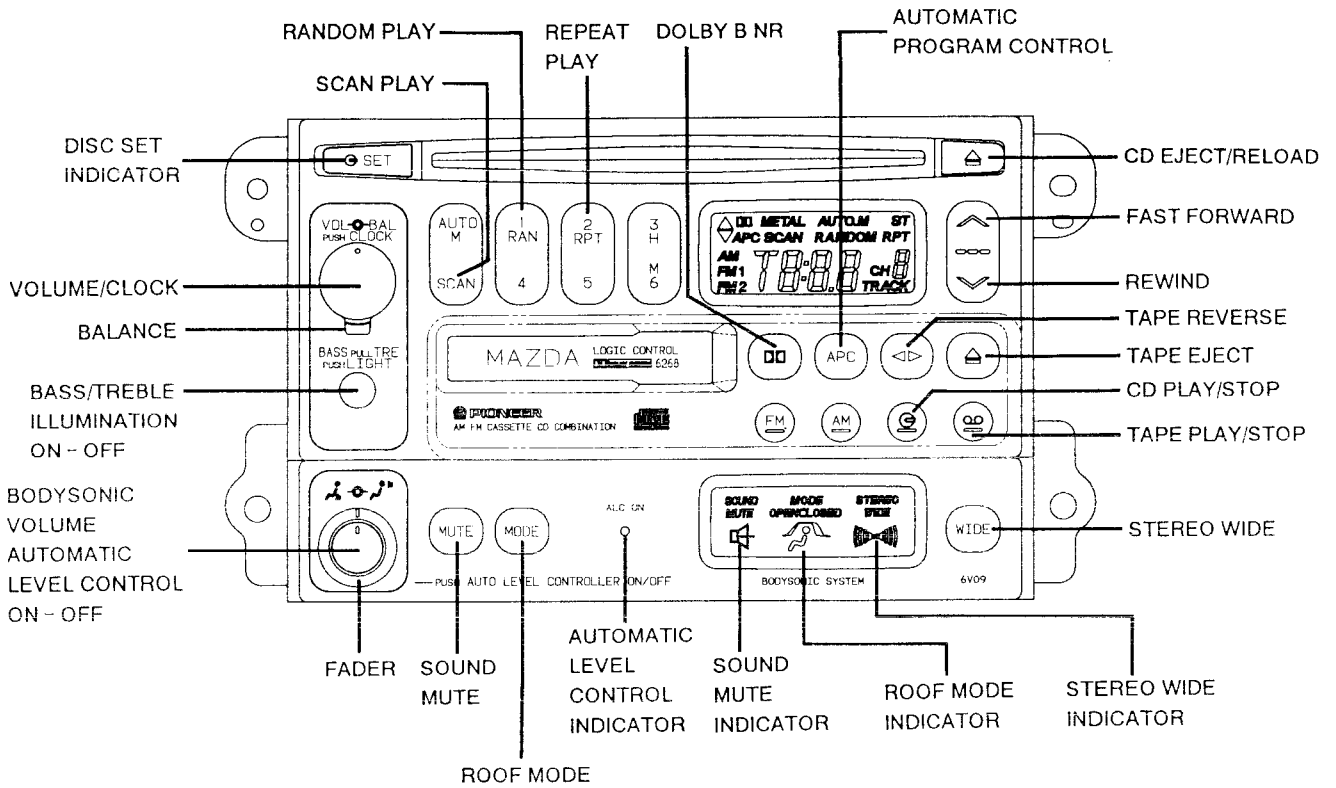
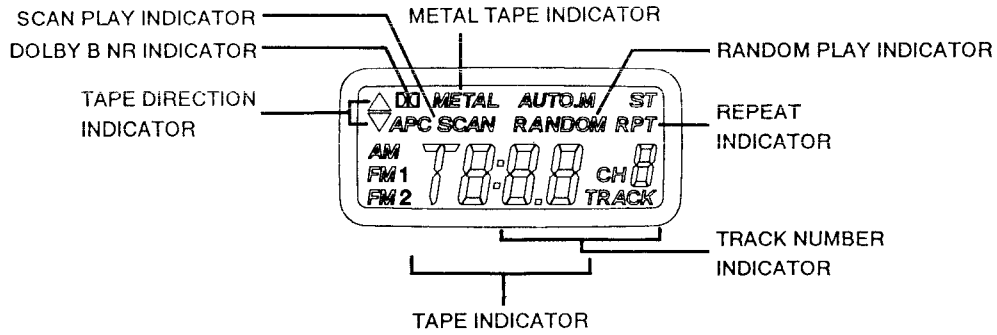


Fig. 2

FH-50712M

2. CONNECTOR FUNCTION DESCRIPTION

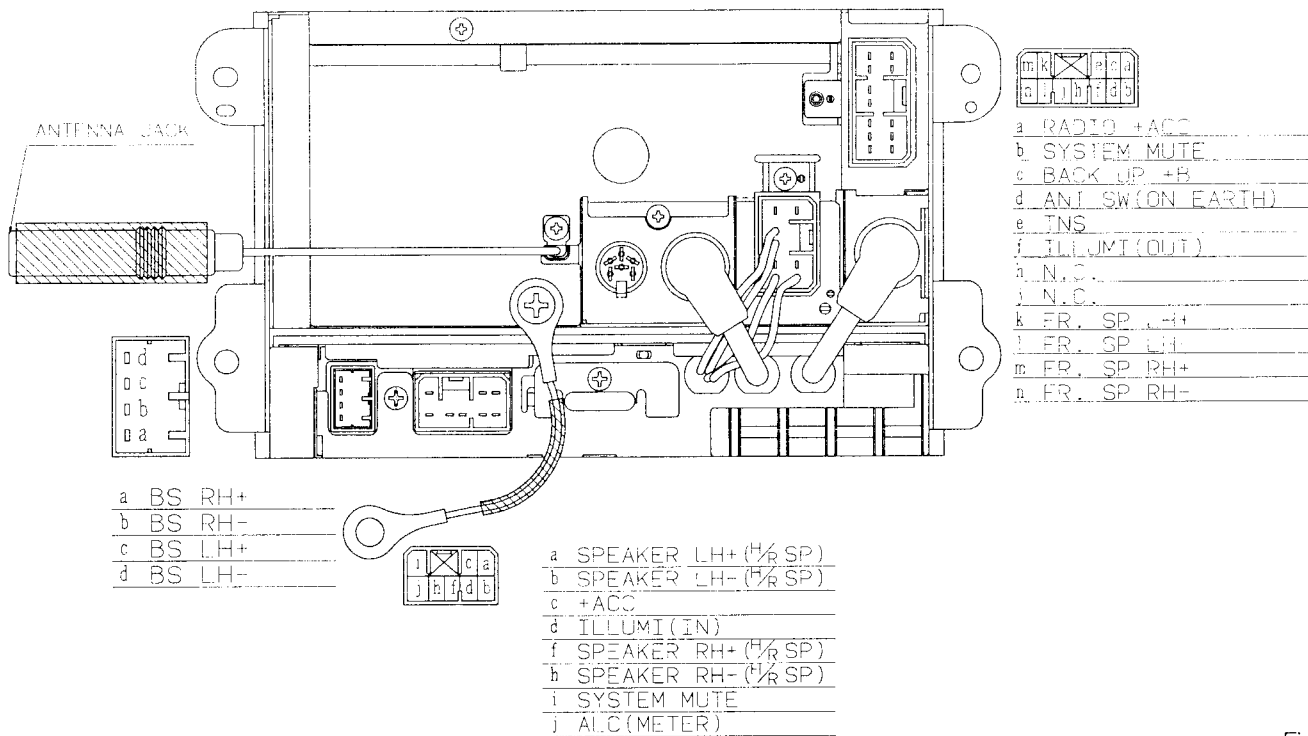


Fig. 3

3. DISASSEMBLY

• Removing the Case Unit

1. Remove the twelve screws, and remove the two brackets.
2. Remove the four screws A.
3. Disconnect the stoppers indicated by arrows, and remove the case unit.

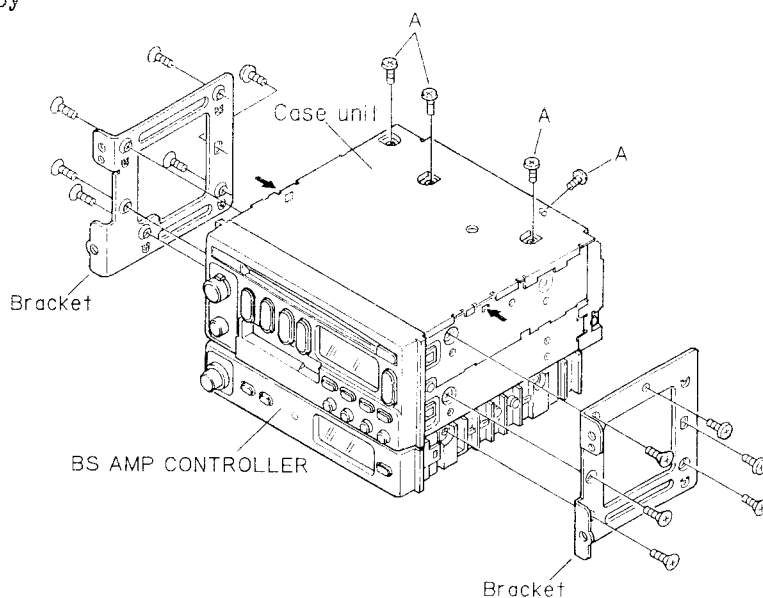


Fig. 4

- Removing the Tuner Assy

1. Remove the two screws.
2. Disconnect the two connectors, and remove the tuner assy.

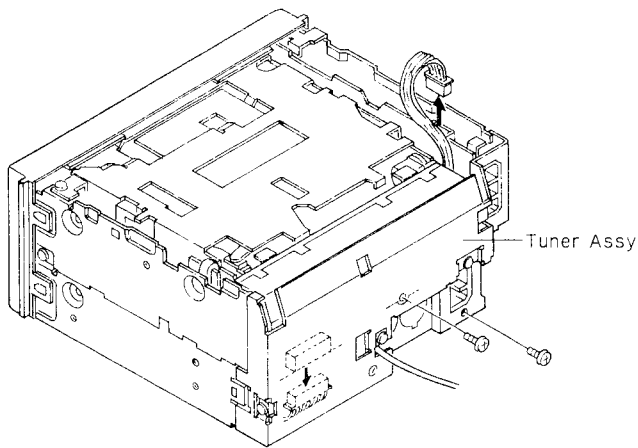


Fig. 5

- Removing the Grille Assy

1. Remove the three knobs.
2. Disengage the four claws indicated by arrows.
3. Disconnect the two connectors, and remove the grille assy.

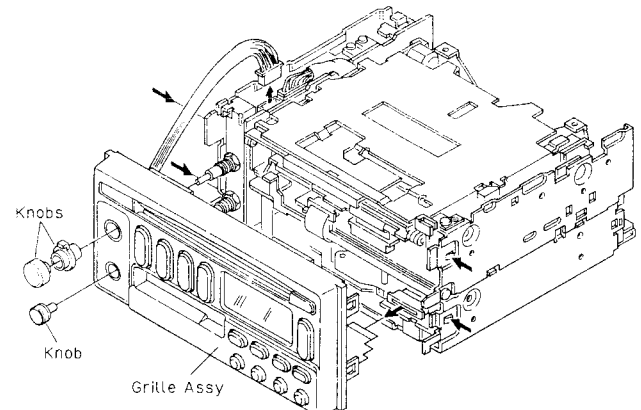


Fig. 7

- Removing the IF·MPX P.C. Board

1. Remove the two screws, and remove the case.
2. Remove the solder at two locations indicated by arrows, and remove the screw.
3. Disconnect the two connectors, and raise the IF·MPX p.c. board to remove from FE·AM p.c. board.

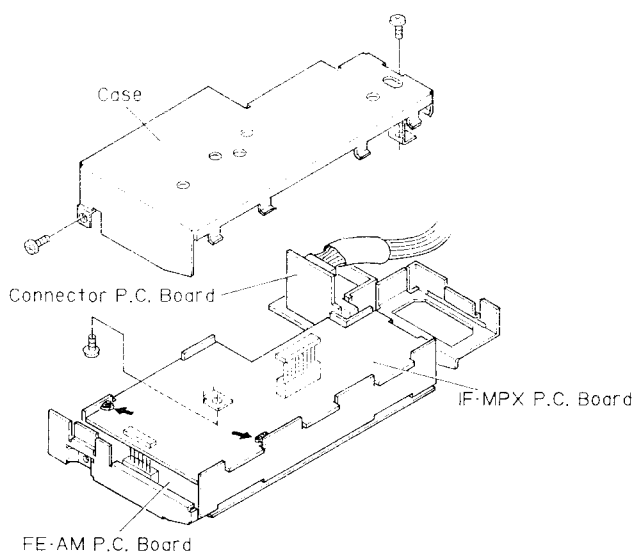


Fig. 6

- Removing the CD Assy

1. Remove the three screws.
2. Disconnect the two connectors, and remove the CD assy.

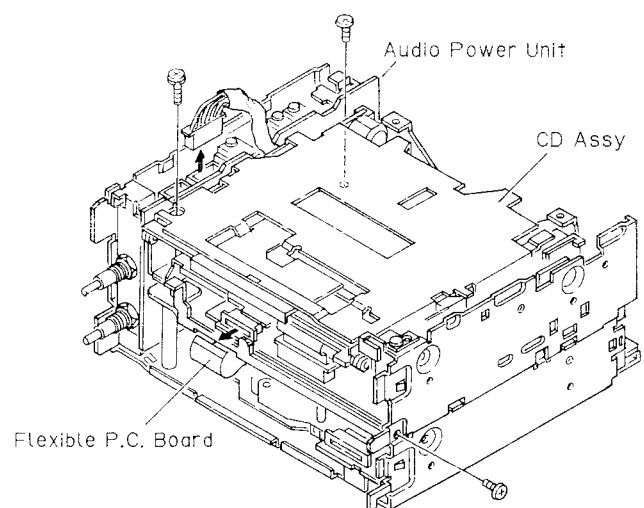


Fig. 8

FH-5071ZM

- Removing the CD Mechanism Unit

1. Remove the three screws.
2. Disconnect the two connectors, and remove the CD mechanism unit.

NOTE: When remove the flexible p.c. board, always insert a shorting pin or insert an inter-pattern short (jumper) before disconnecting the board from the connector.

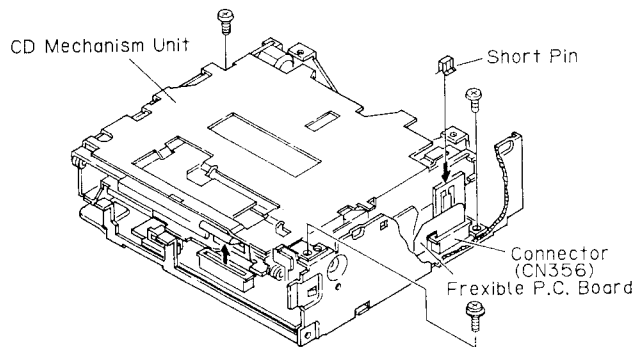


Fig. 9

- Removing the Cassette Mechanism Assy

1. Remove the two screws, and remove the bracket.
2. Disconnect the two connectors.
3. Remove the four screws, and remove the cassette mechanism assy.

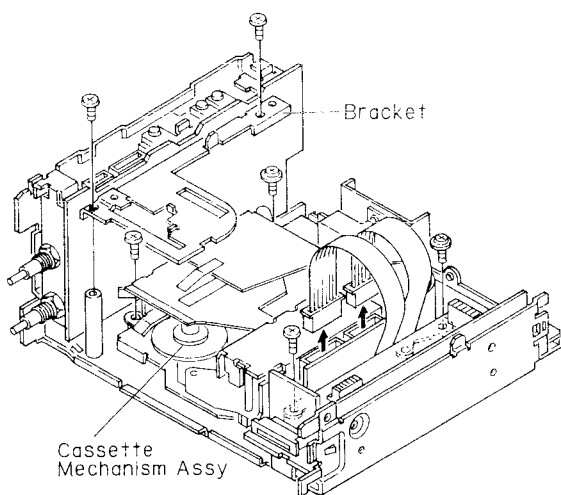


Fig. 10

- Removing the Audio Power Unit (Fig. 11)

1. Remove the three screws.
2. Disconnect the connector, and raise the audio power unit to remove from control p.c. board.

- Removing the P.C. Board (Fig. 11)

1. Disconnect the connector, and raise the p.c. board to remove from control p.c. board.

- Removing the Dolby NR P.C. Board (Fig. 11)

1. Disconnect the connector, and raise the dolby NR p.c. board to remove from control p.c. board.

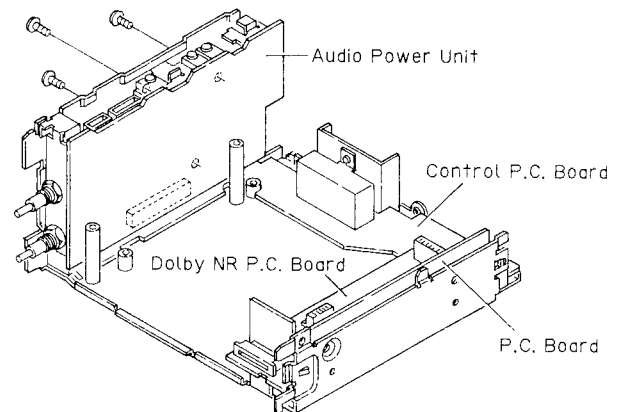


Fig. 11

4. ADJUSTMENT

● BS Amp Controller

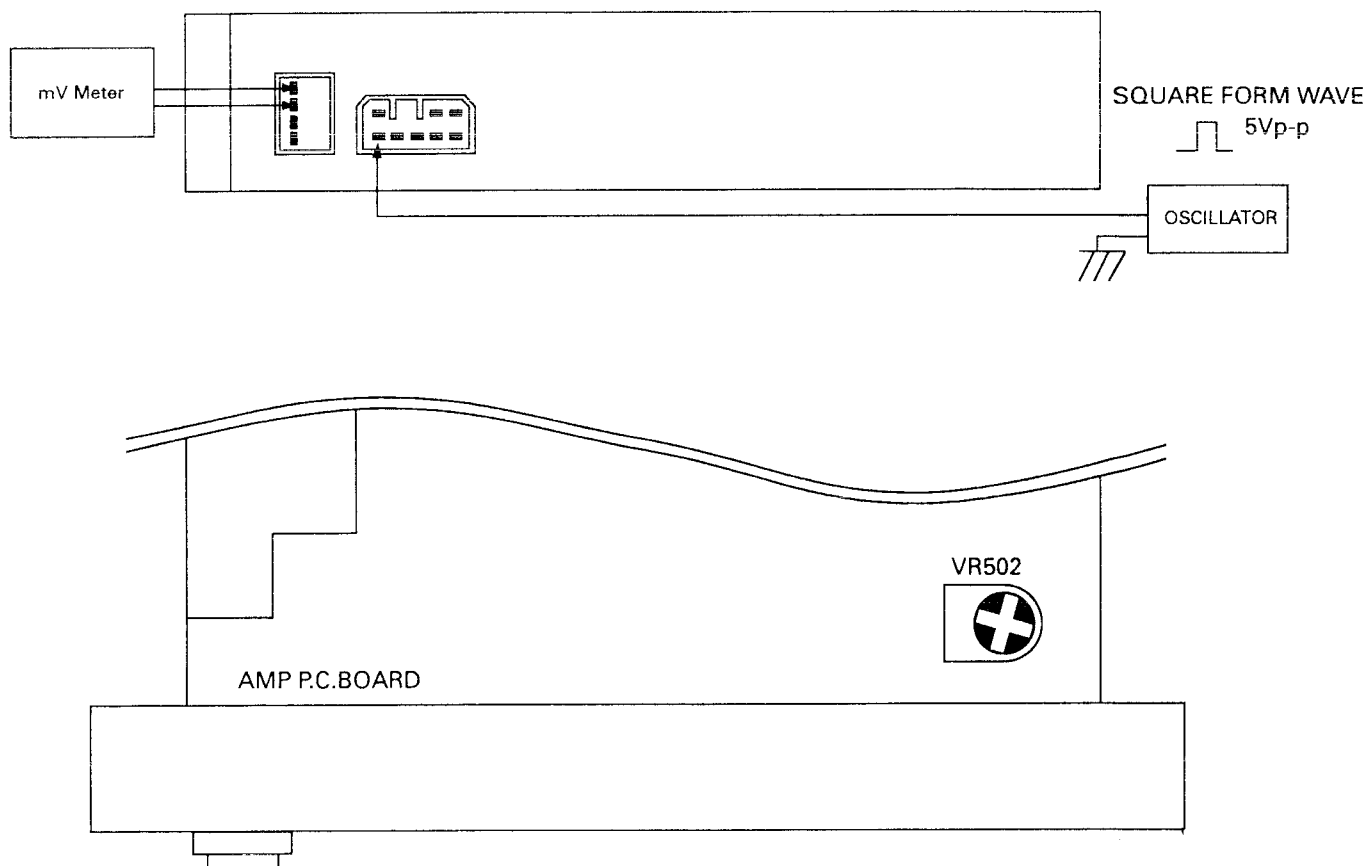


Fig. 12

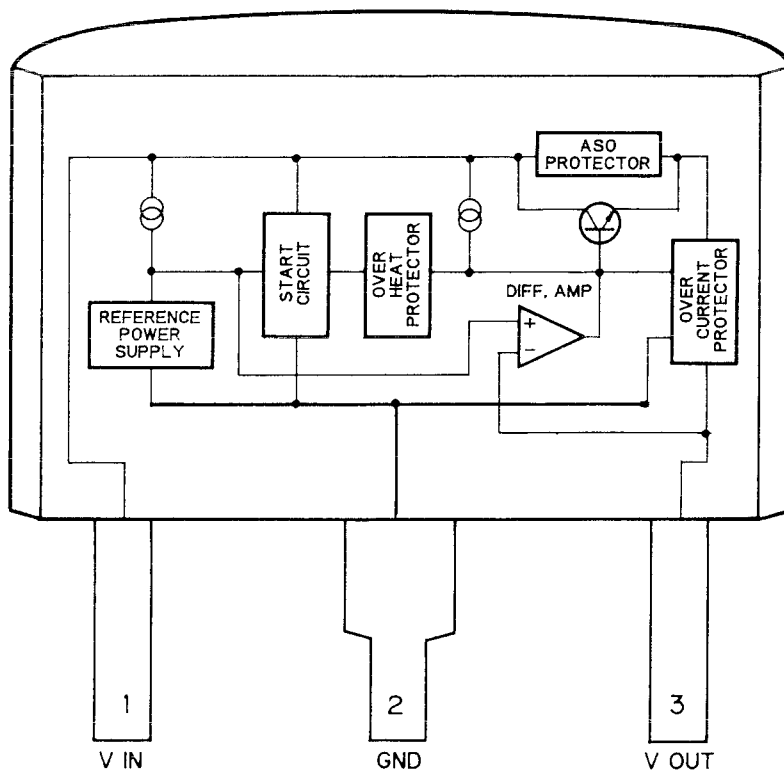
ALC ADJUSTMENT

No.	Osillator Frequency	Adjusting Point	Adjustment Method (Switch Position)
1	70Hz	—	mV Meter:AdBs (ALC Switch OFF)
2	28Hz	VR502	mV Meter:AdBs+6dBs (ALC Switch ON)

FH-50712M

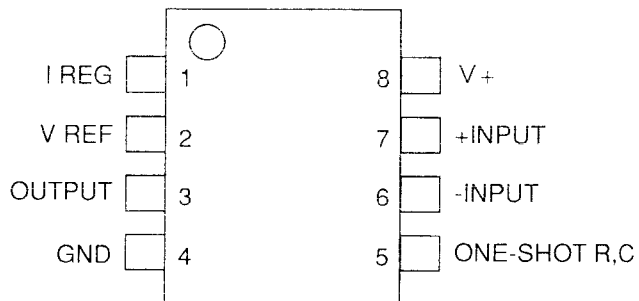
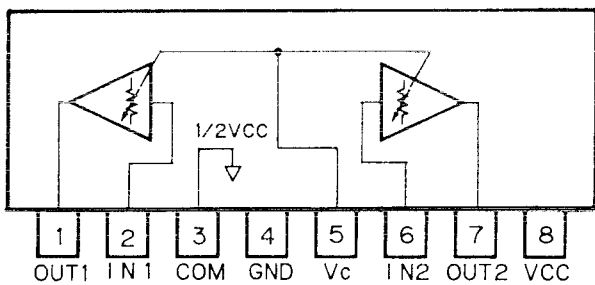
- ICs
- Amp Unit

IC464:M5237L

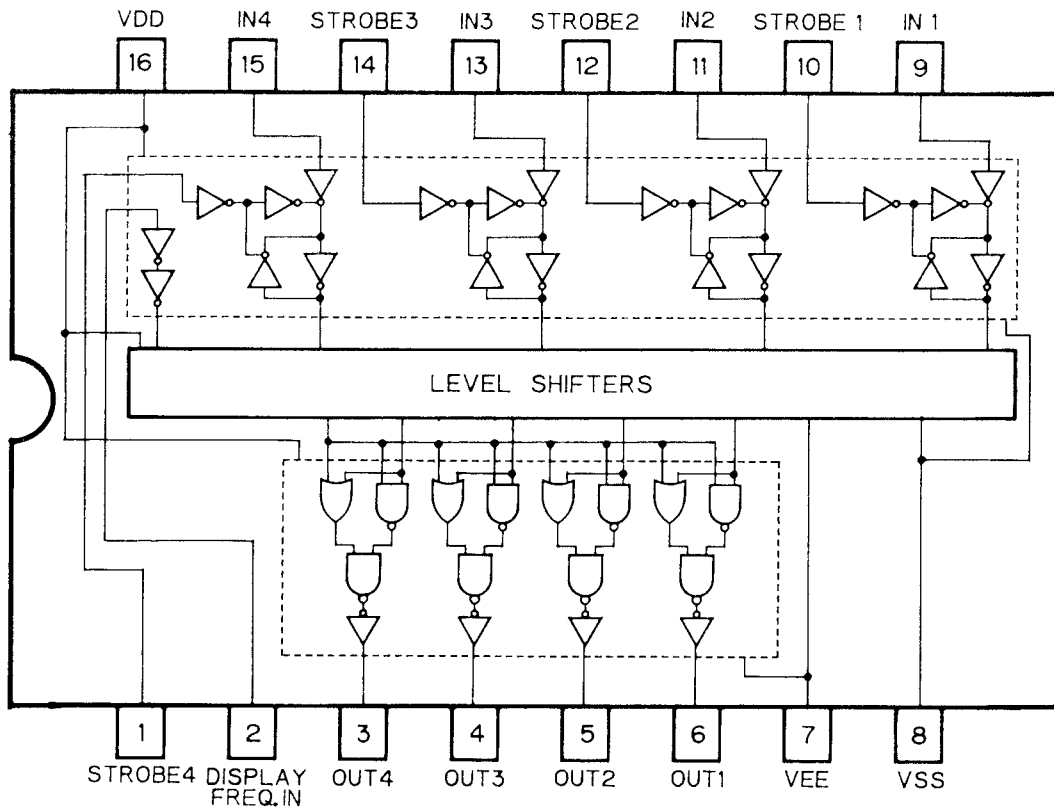


IC459:M5222L

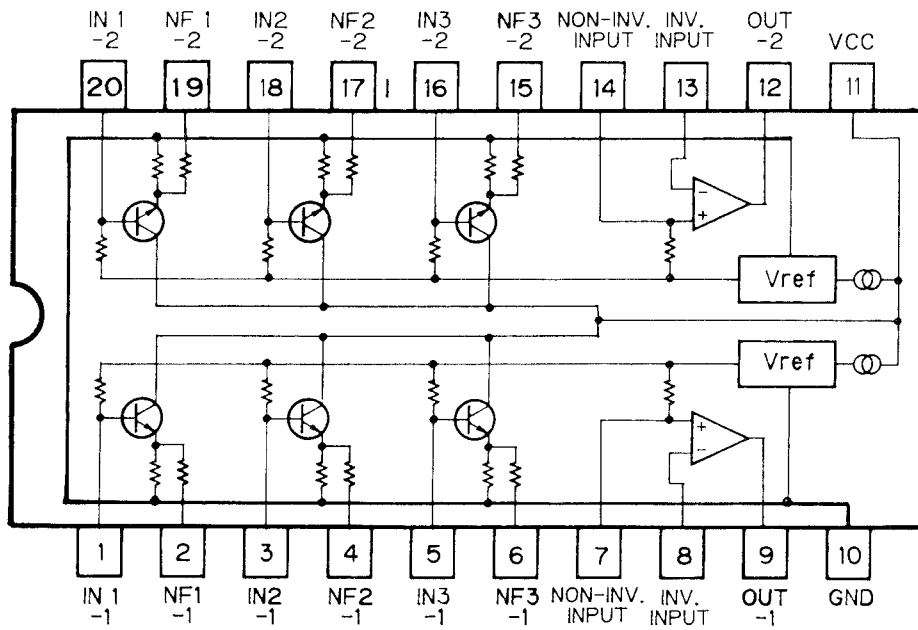
IC452:NJM4151D



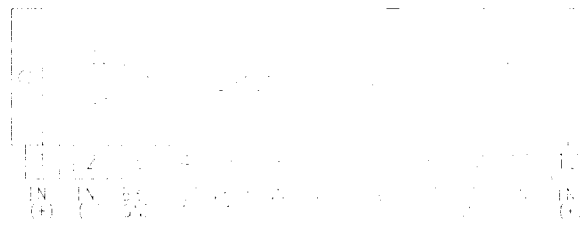
IC902:TC4054BF



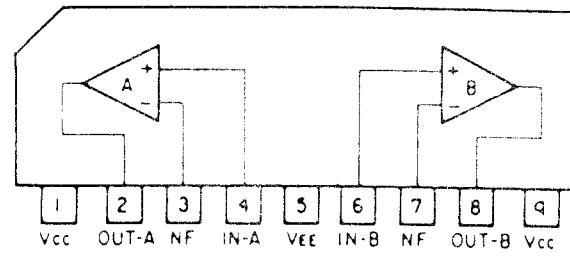
IC456:M5243P-09



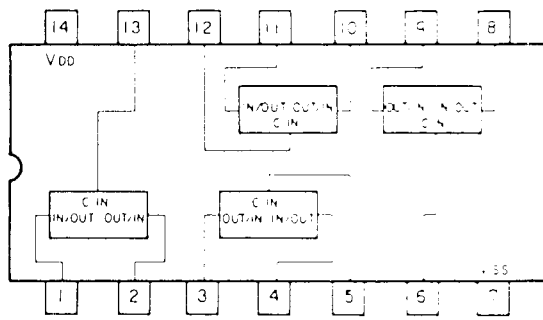
IC451:TA8181SN



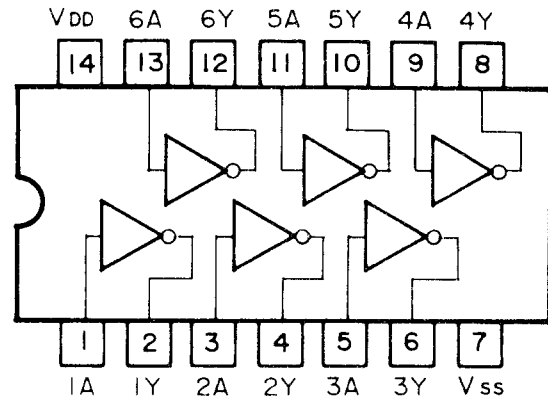
IC453, 454, 457, 460-463, 551:NJM2068S



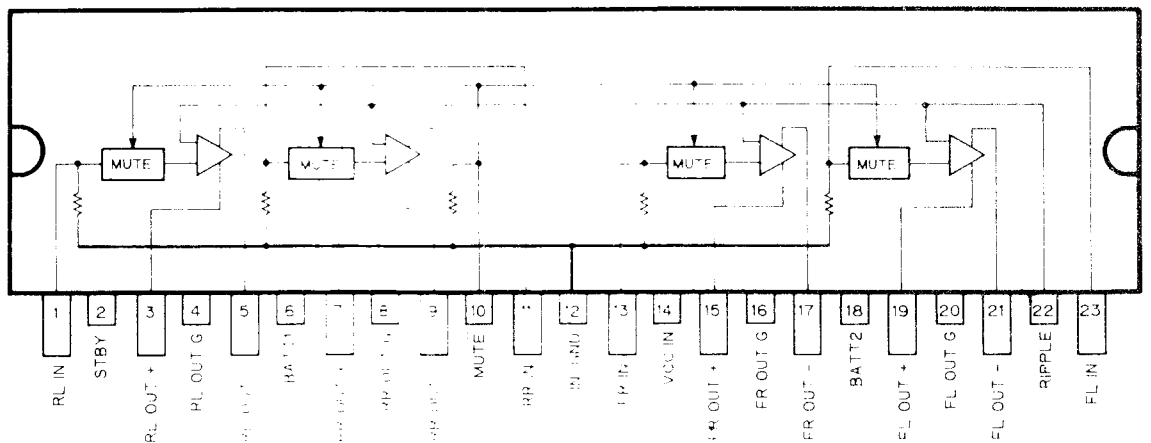
IC455:TC4066BP



IC901:TC4069UBF



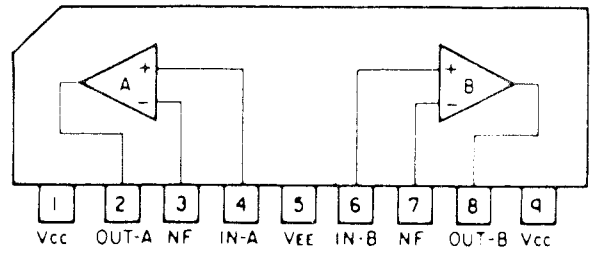
IC552:PA3027A



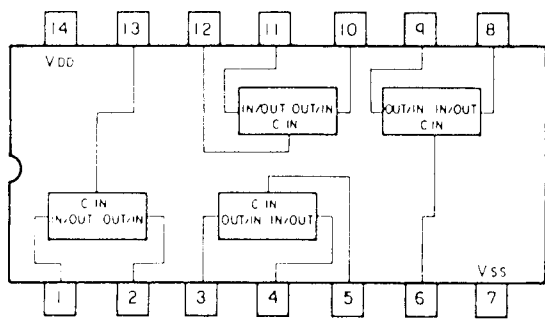
IC451:TA8181SN



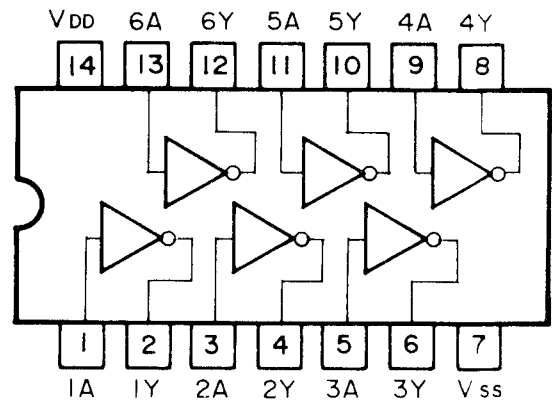
IC453, 454, 457, 460-463, 551:NJM2068S



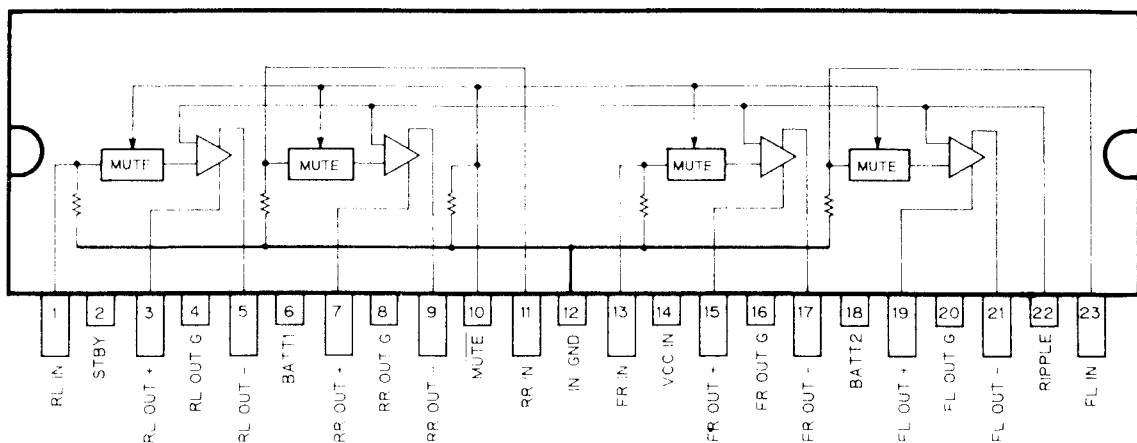
IC455:TC4066BP



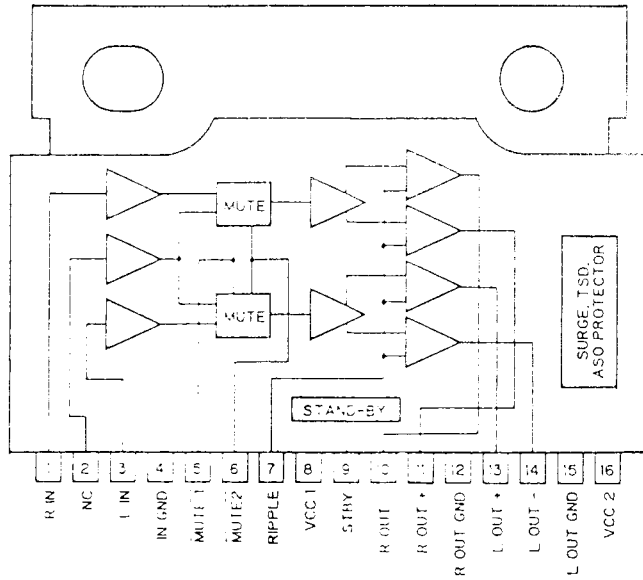
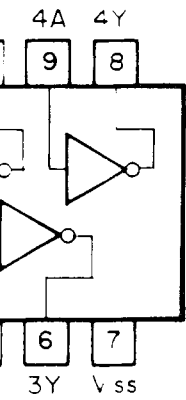
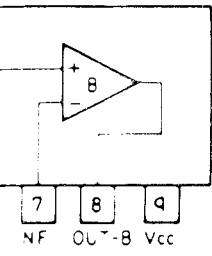
IC901:TC4069UBF



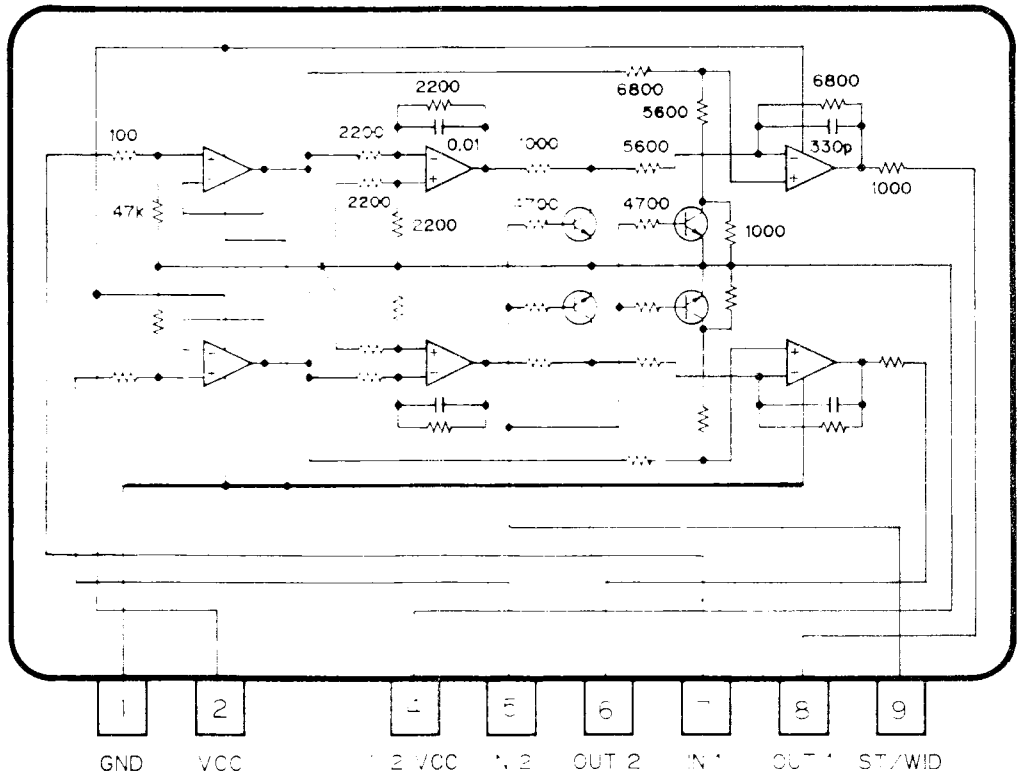
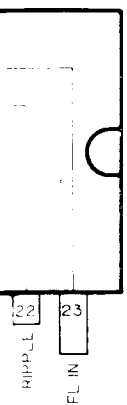
IC552:PA3027A



IC553:HA13139



IC458:CWW1085



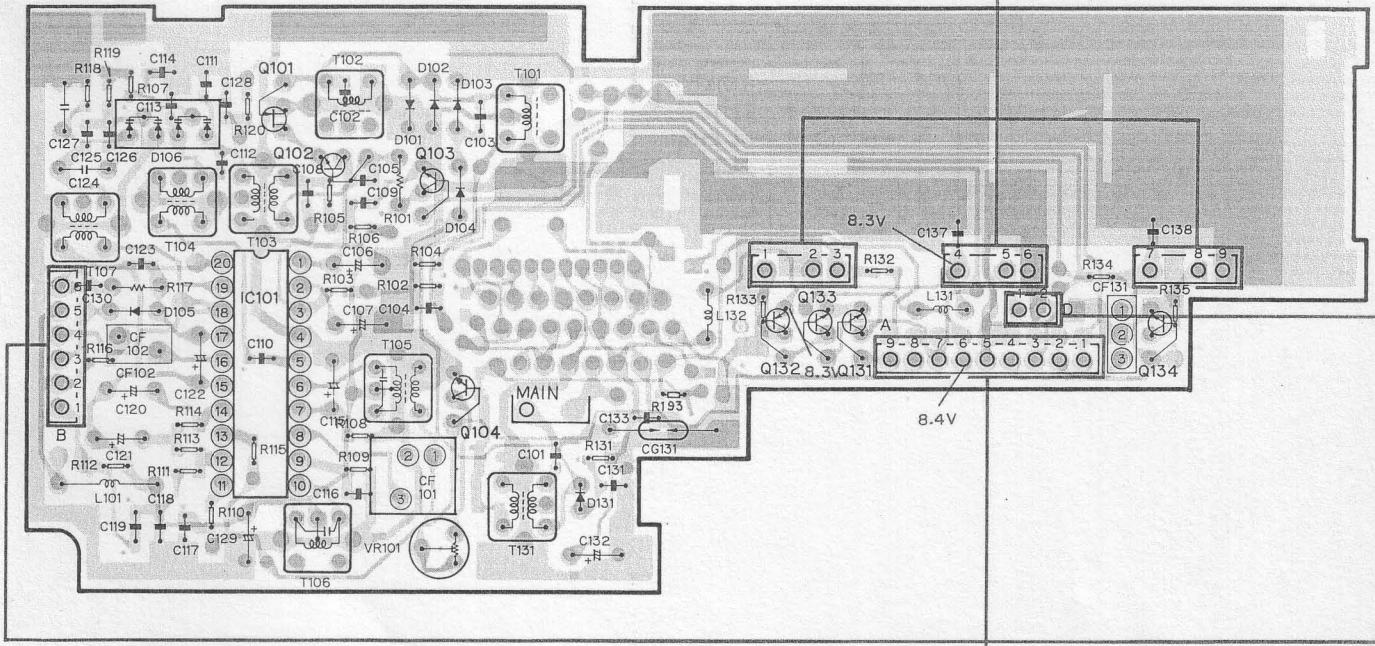
5. CONNECTION DIAGRAM (1)

FE · AM P.C. BOARD

FM FRONT END

A

IC. Q	IC101 Q101	Q104	Q103	Q132 Q133 Q131	Q134
ADJ	T104 T103 T106	T105	VR101		

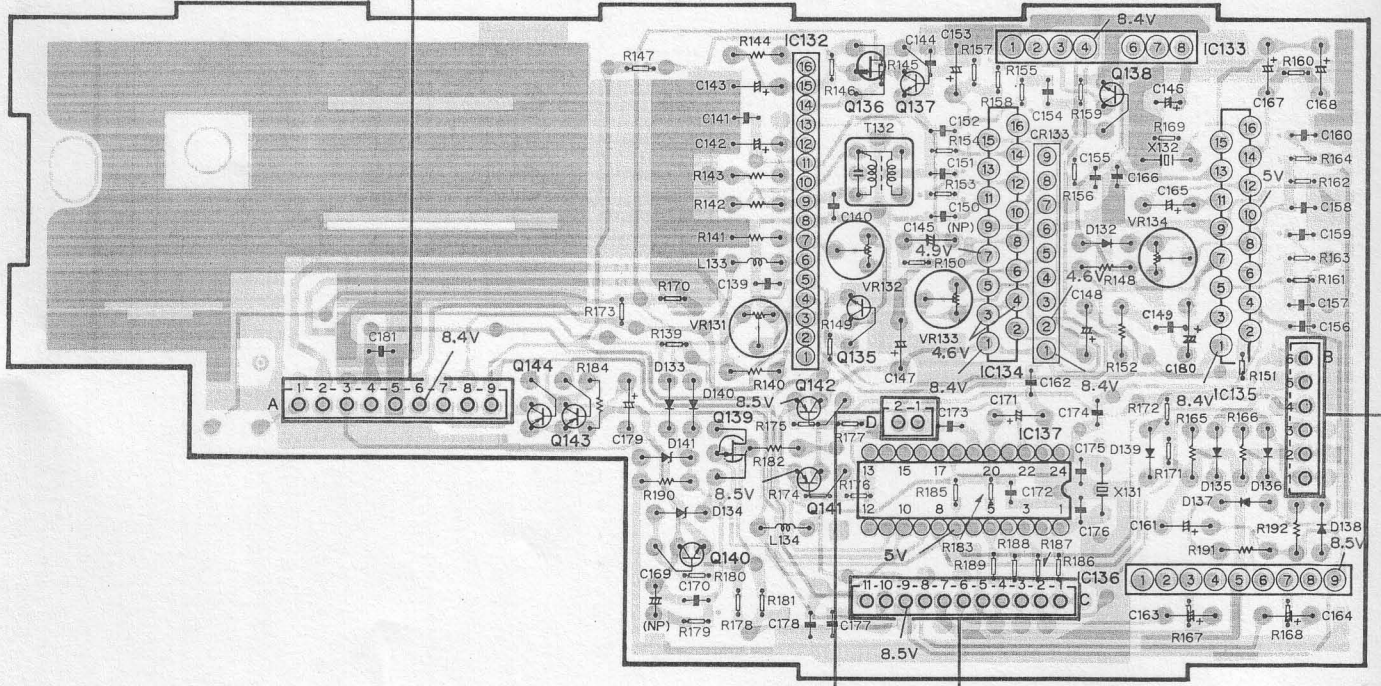


B

IF · MPX P.C. BOARD

IC. Q	IC132 Q142 Q136	IC137	Q144 Q143	Q140 Q139	Q141 Q135	Q137	IC134	Q138	IC133	IC135	IC136
ADJ	VR131	VR132	VR133	VR134							

C

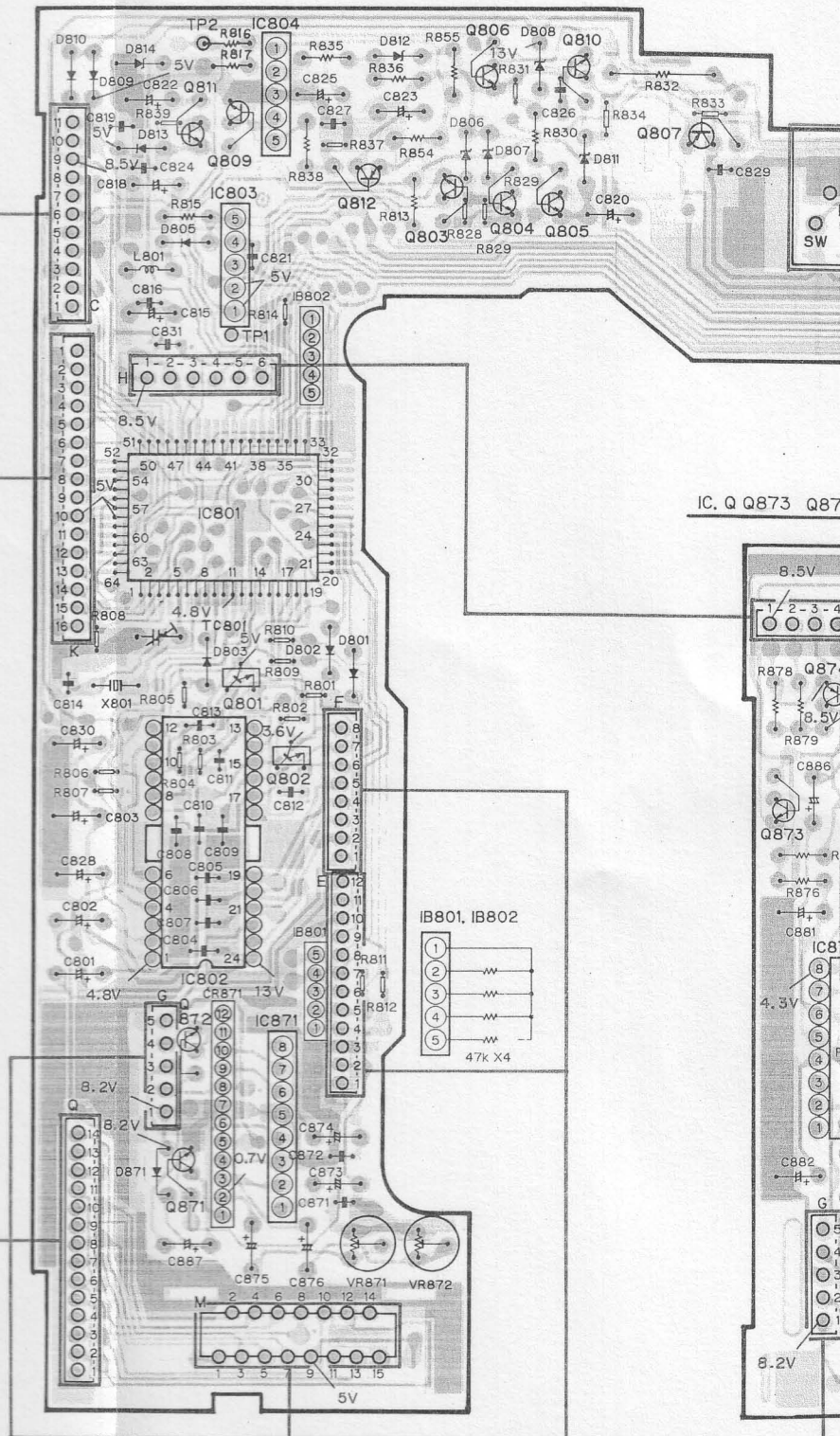
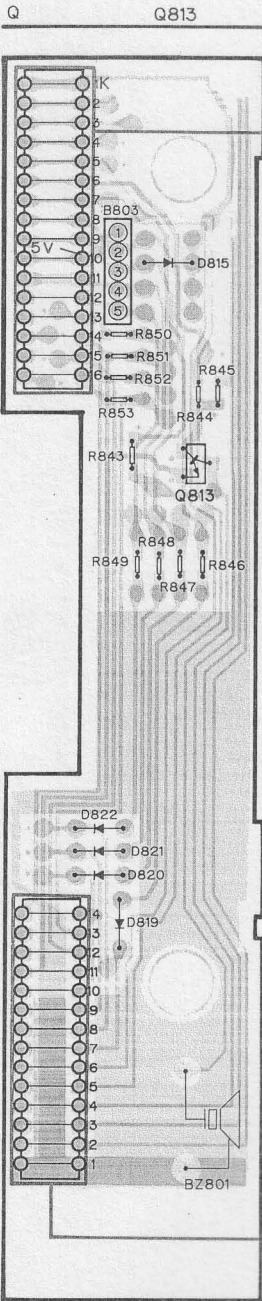


D

CONTROL P.C. BOARD

	IC801	Q802	IC803	Q802	IC804	Q805	IC805	Q807	
IC. Q	IC802	Q811	Q809	IC871	Q812	Q803	Q806	Q804	Q810
ADJ	TC801		VR871	VR872					

P.C. BOARD



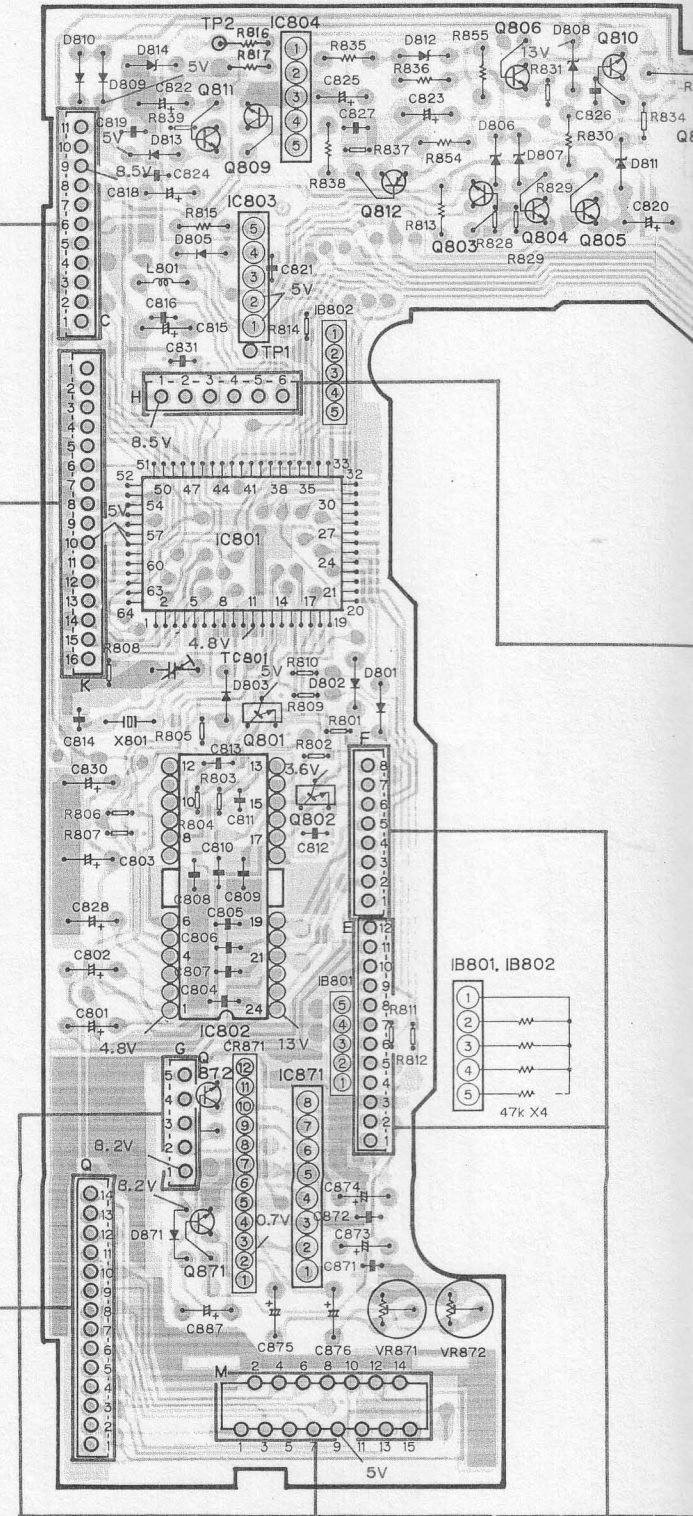
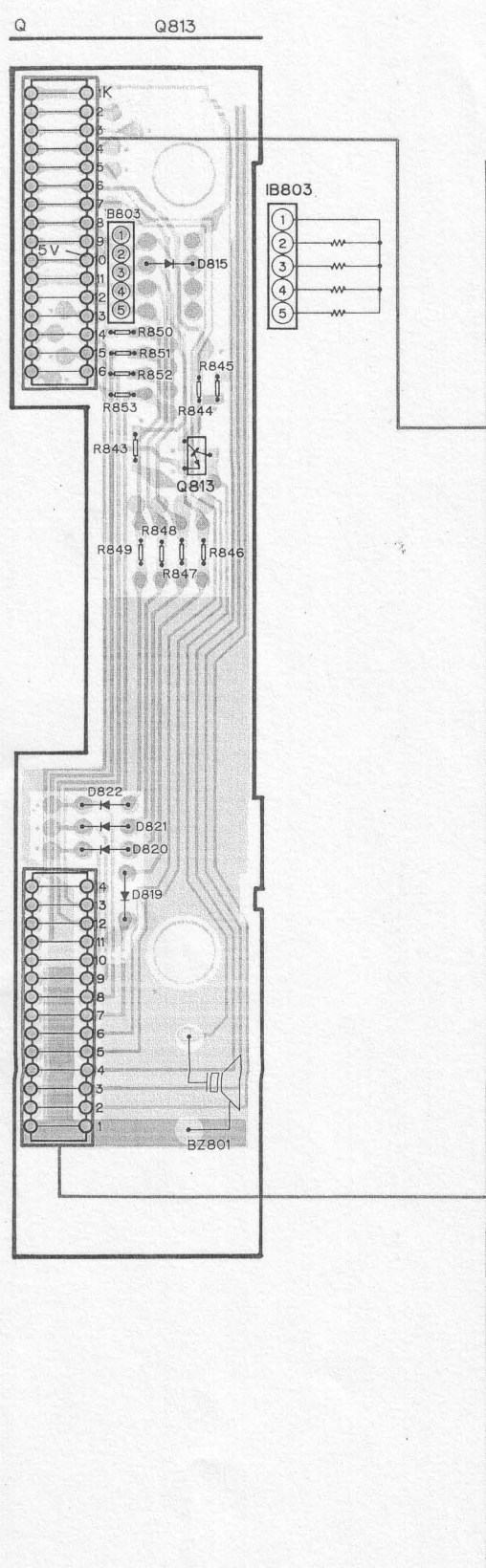
TO KEY BOARD UNIT M

TO P.C. BOARD UNIT

CONTROL P.C. BOARD

IC. Q	ADJ	TC801	IC803	Q802	Q801	IC804	Q805	
IC802	Q811	Q809	IC871	Q812	Q803	Q806	Q804	Q810
VR871	VR872							

P.C. BOARD



TO KEY BOARD UNIT
M

TO P.C. BOARD

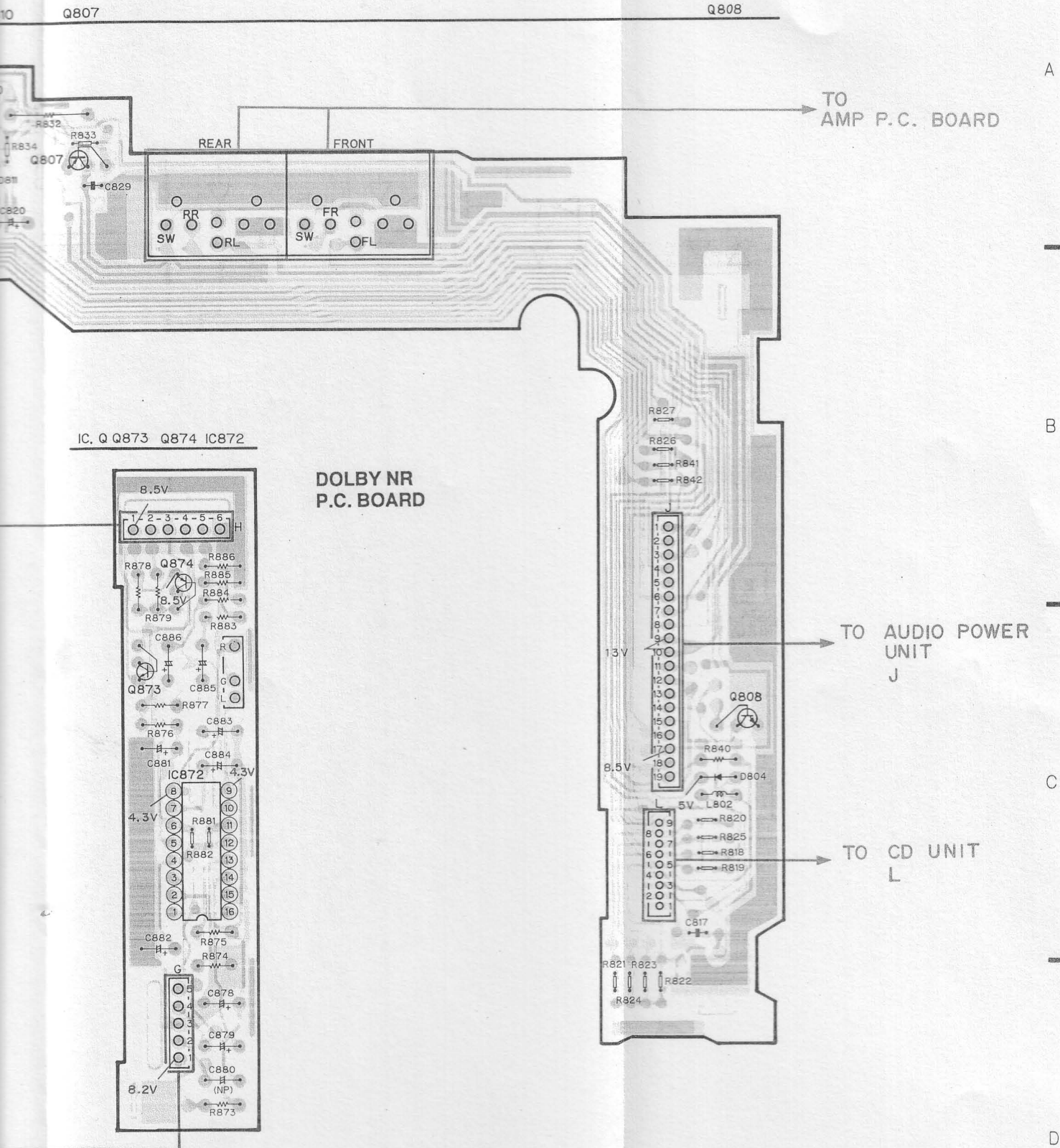
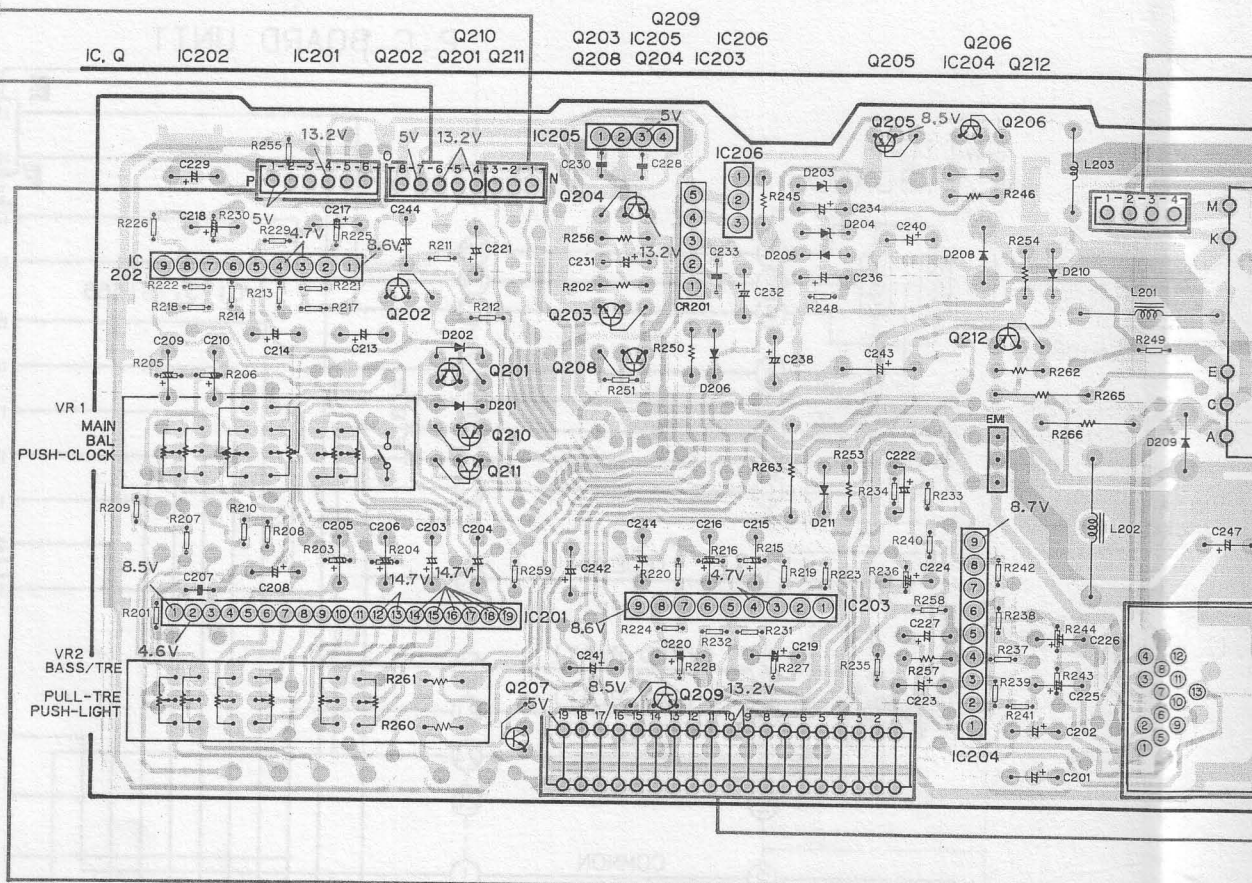


Fig. 13

BOARD UNIT

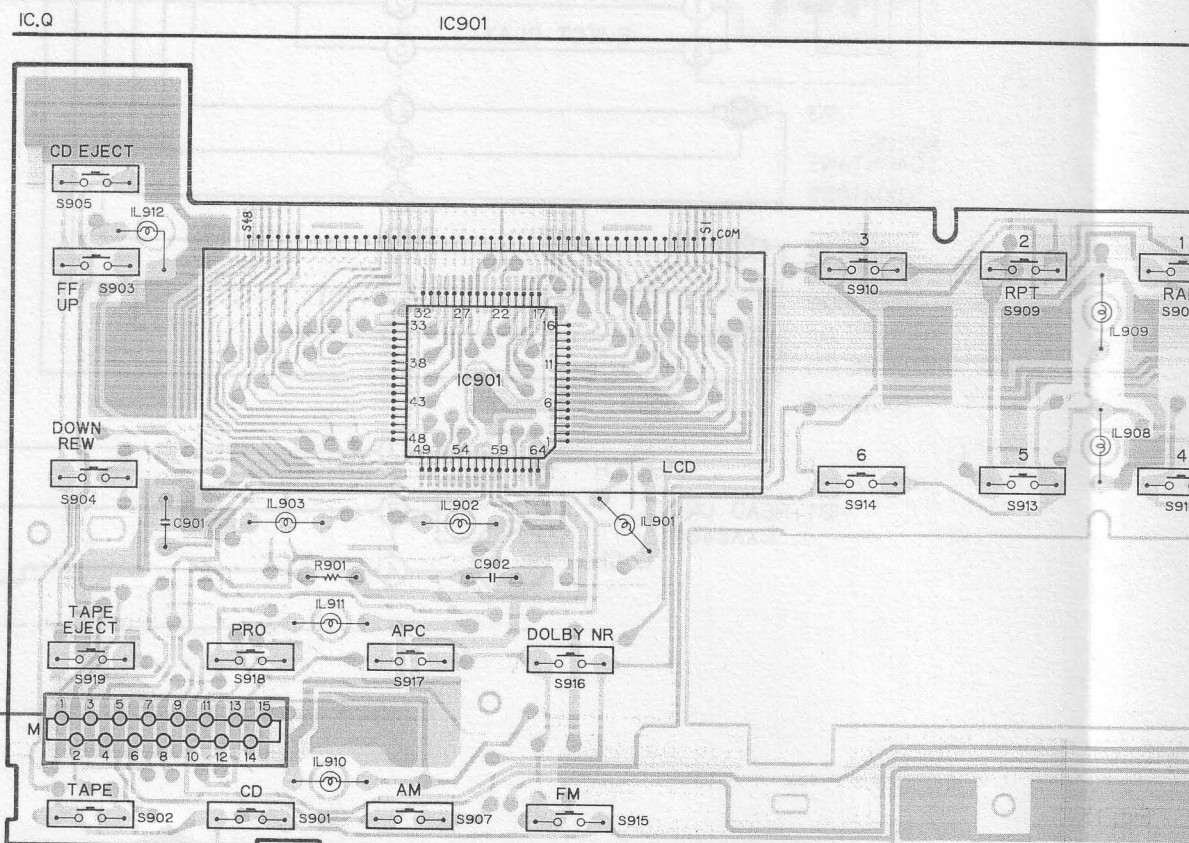
AUDIO POWER UNIT

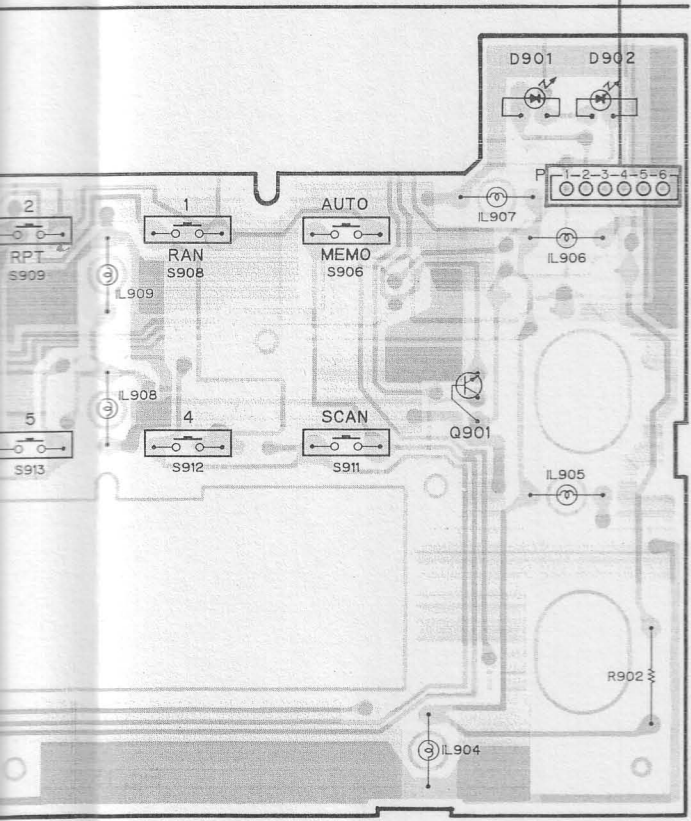
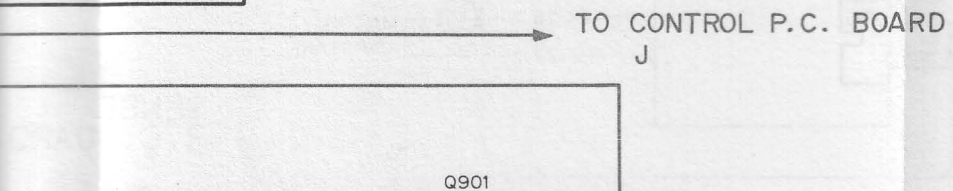
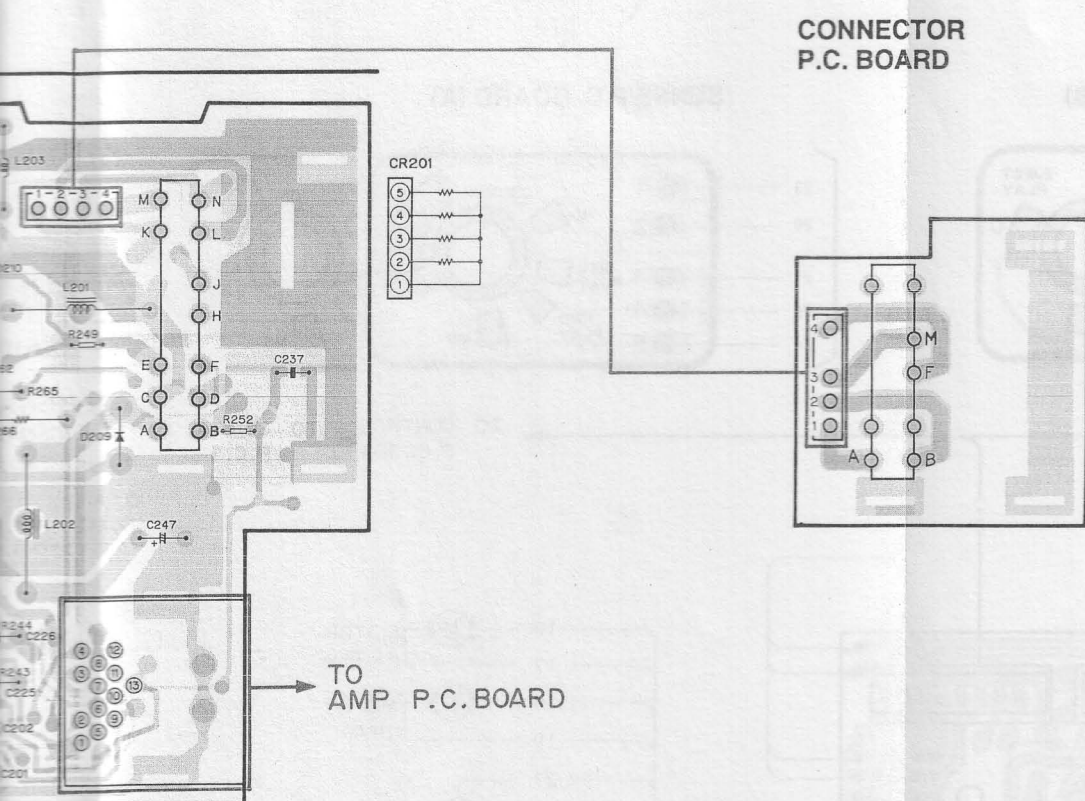
TO CD UNIT
CN352
TO CD UNIT
CN353



KEY BOARD UNIT

TO CONTROL
P.C. BOARD
M





A

B

C

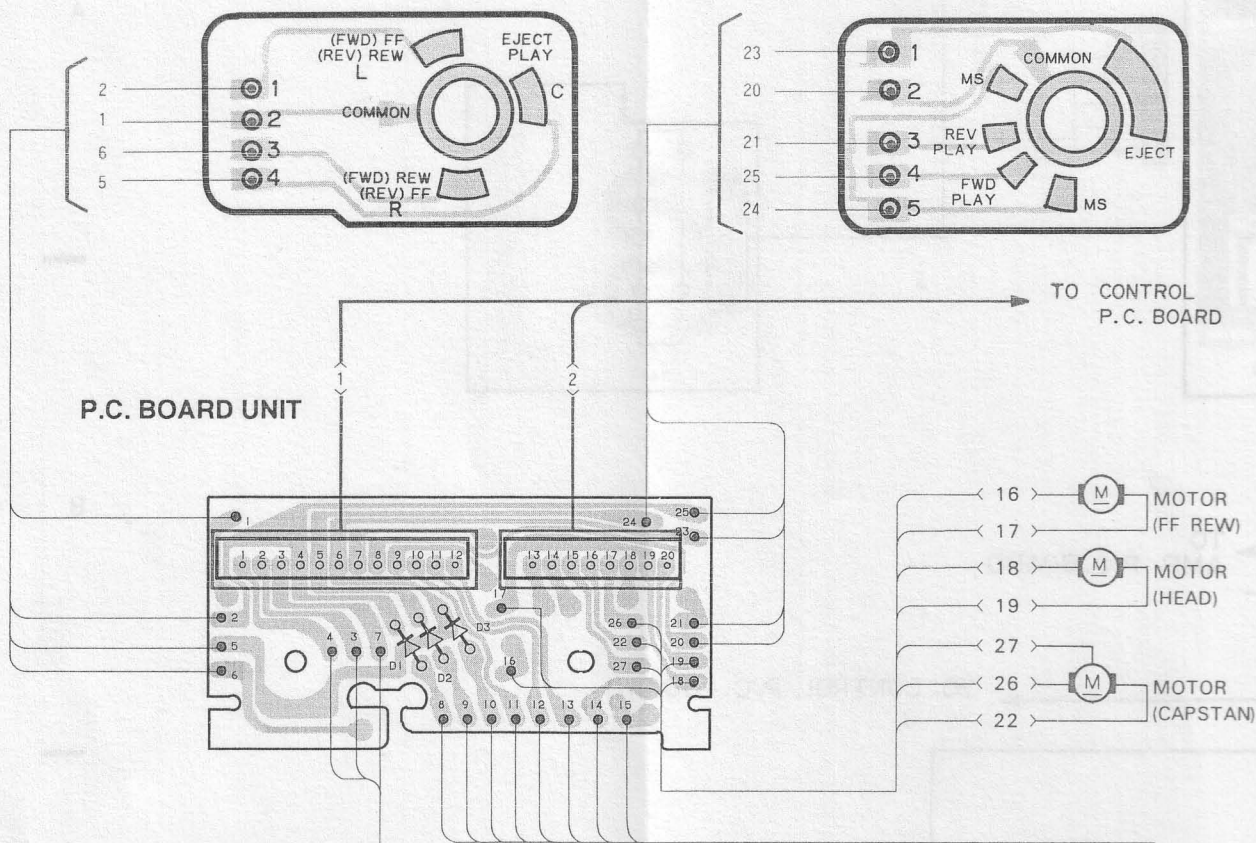
D

Fig. 14

A

SENSE P.C. BOARD (B)

SENSE P.C. BOARD (A)

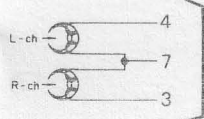


B

C

D

HD1 : HEAD UNIT



SWITCH P.C. BOARD

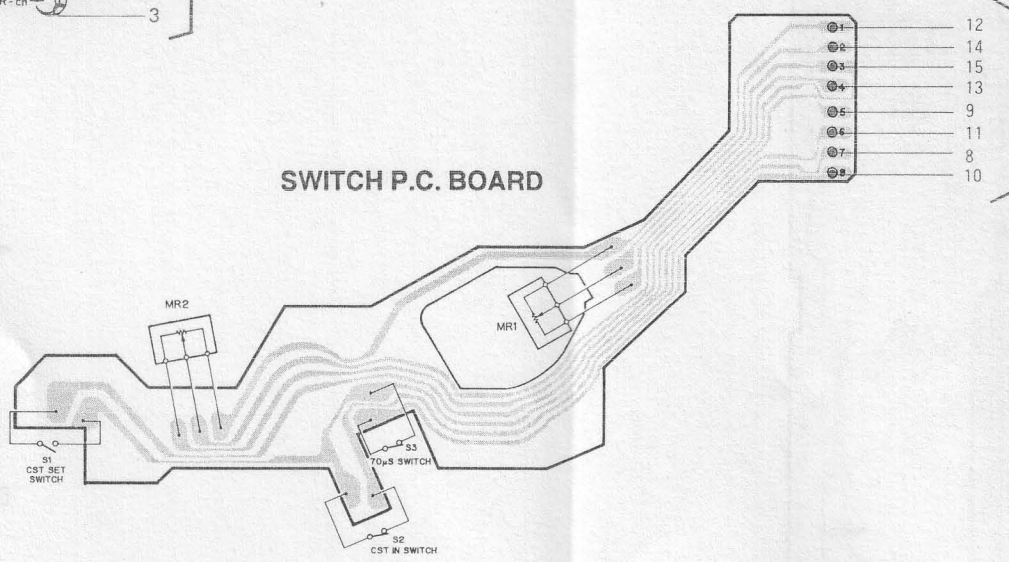


Fig. 15

4

5

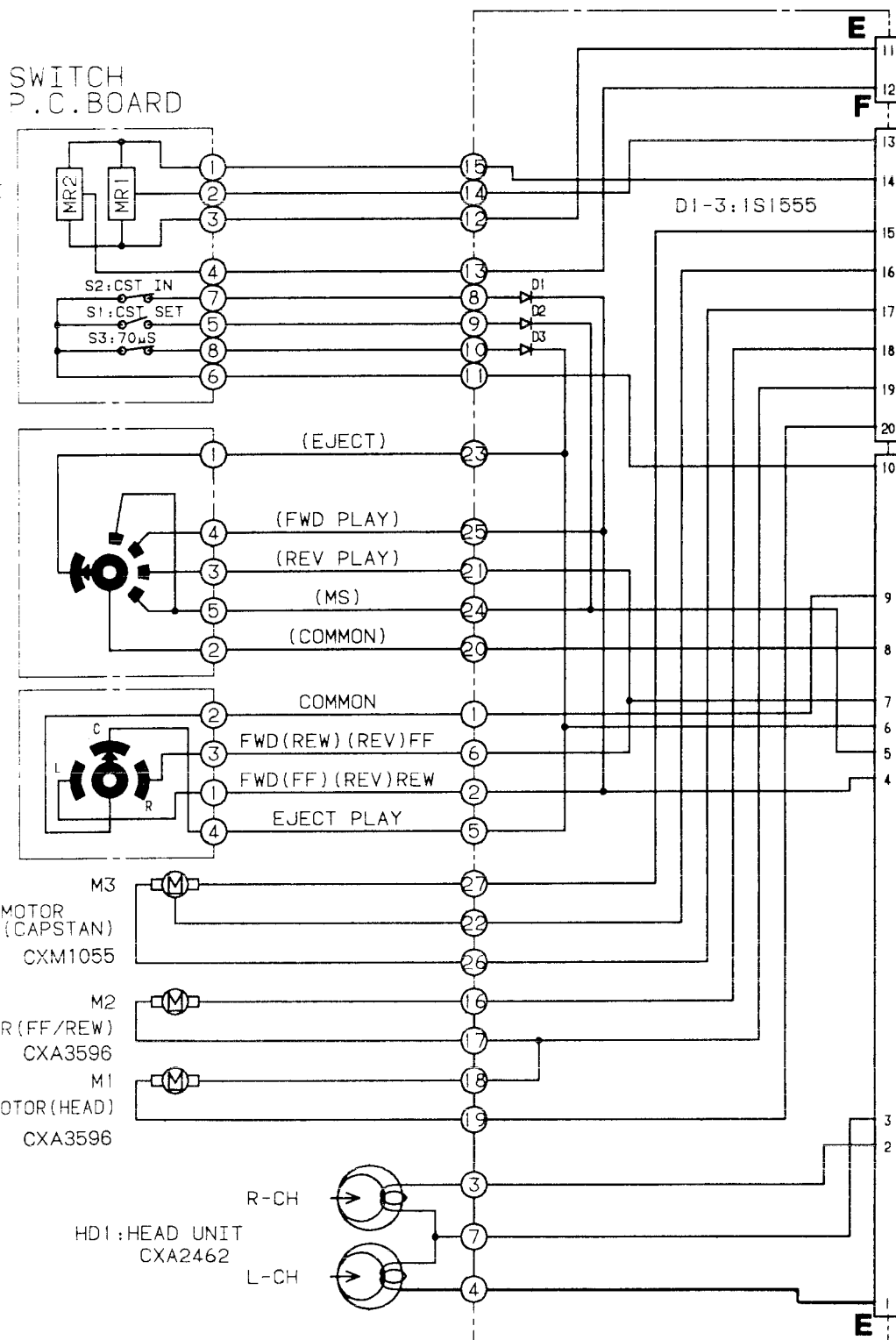
6

2: MAGNETIC
 DIRECTIVE
 DM: 068
 S2: CSN1023
 S1: CSN089
 S3: CSN1023

SE
 BOARD (A)

SE
 BOARD (B)

P.C. BOARD UNIT



A

B

C

D

Fig. 16

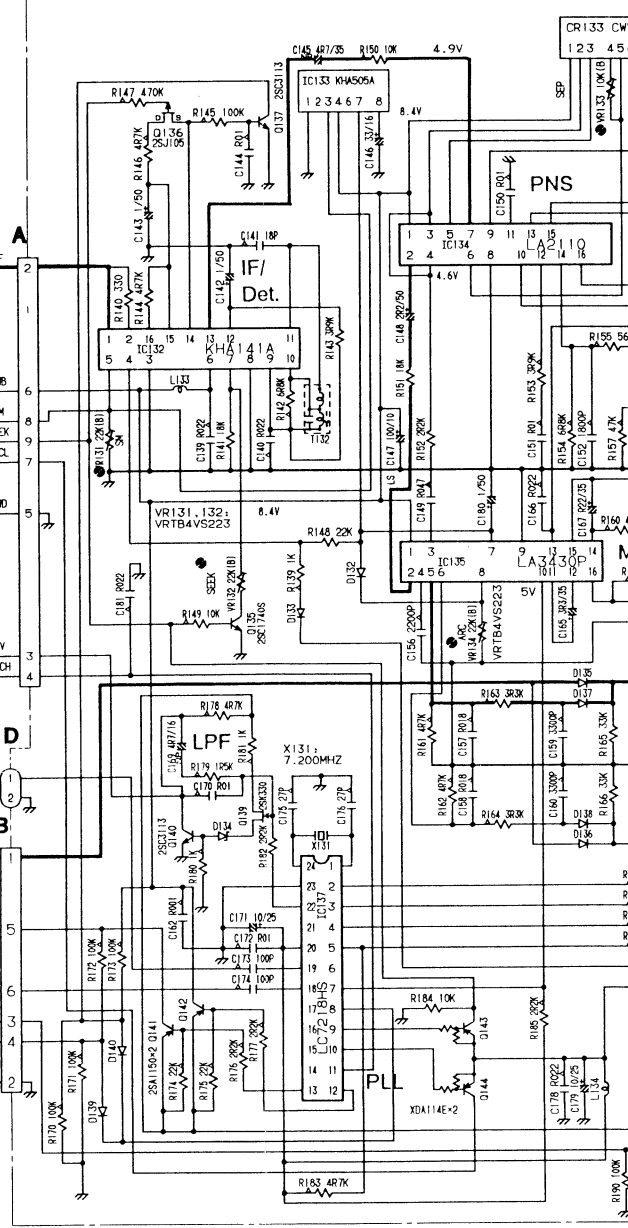
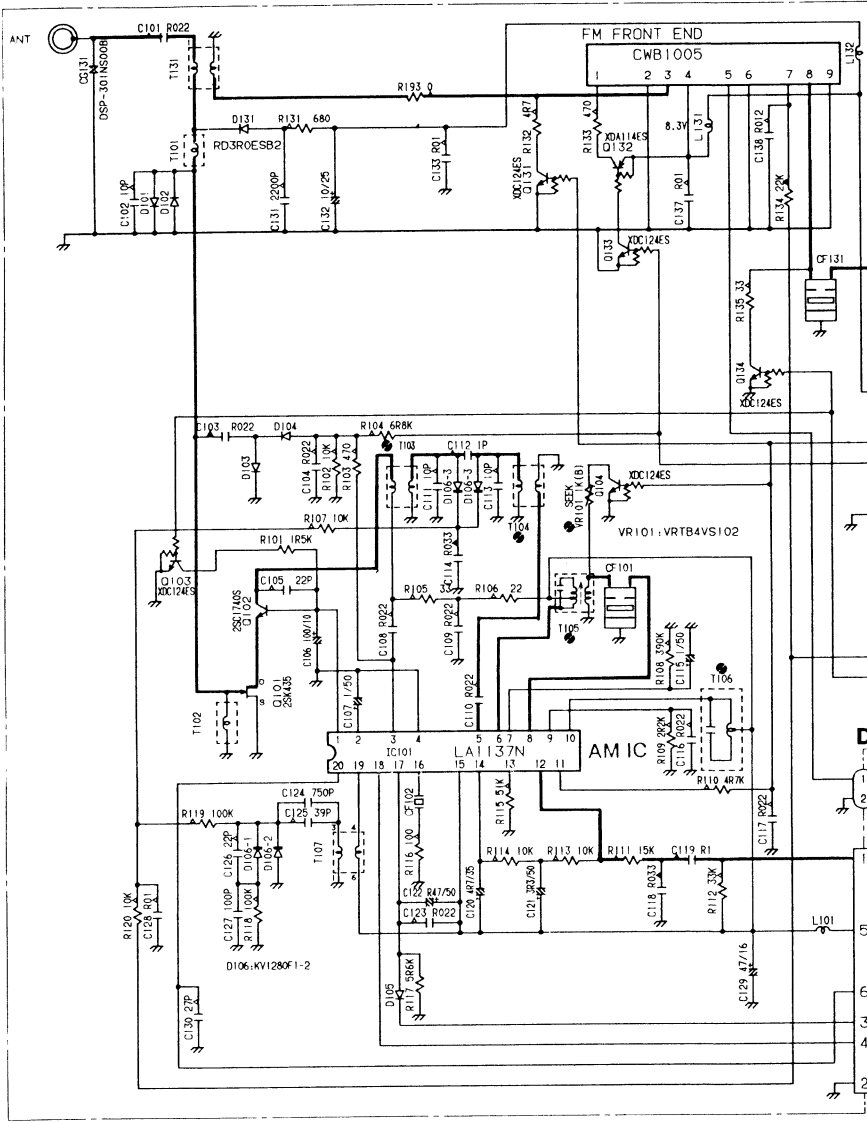
4

5

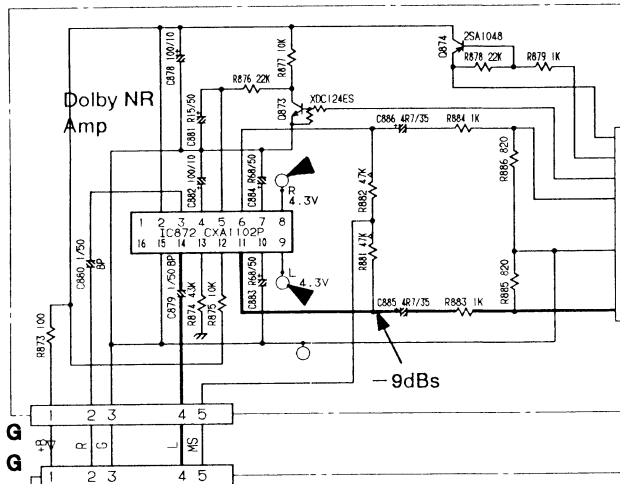
6

FE • AM P.C. BOARD

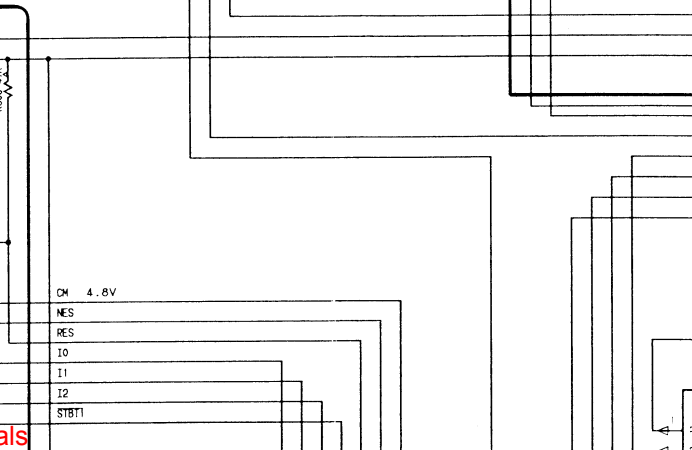
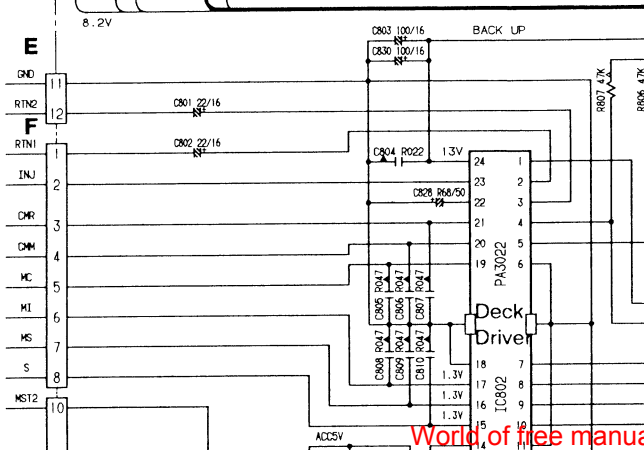
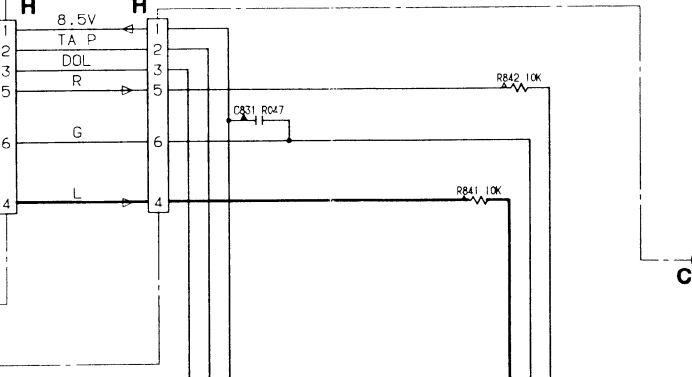
IF • MPX P.C. BOARD

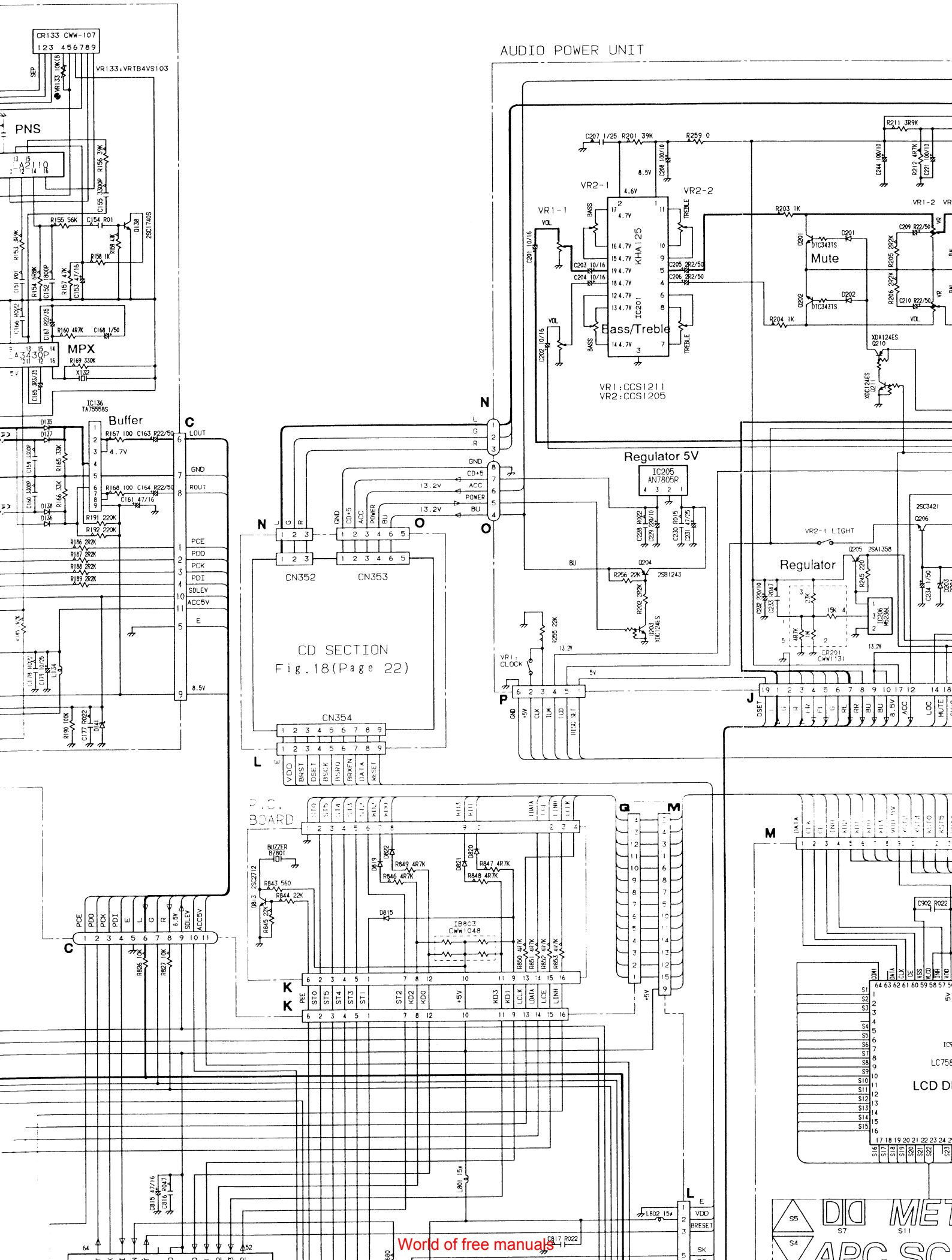


DOLBY NR P.C. BOARD

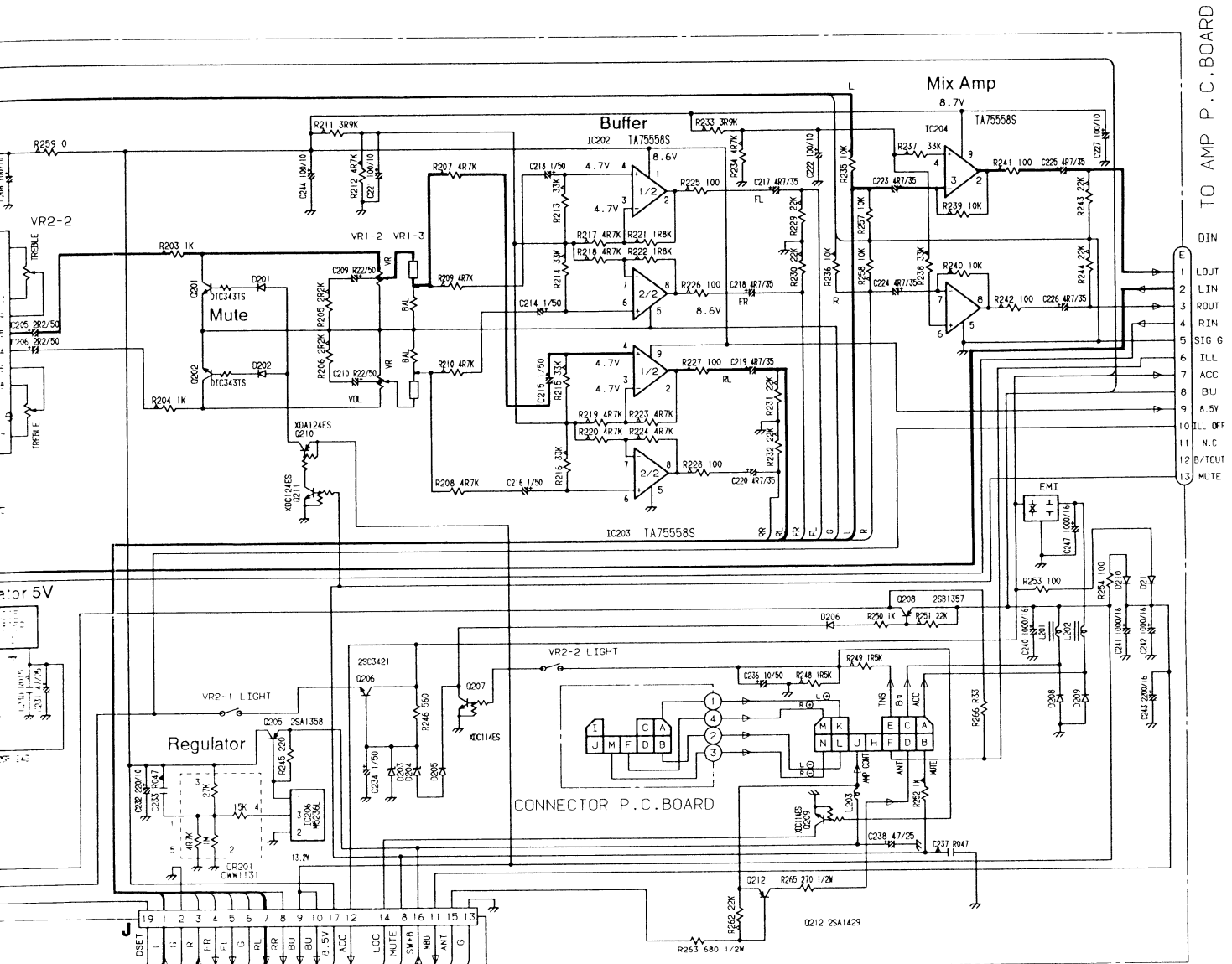


CONTROL P.C. BOARD

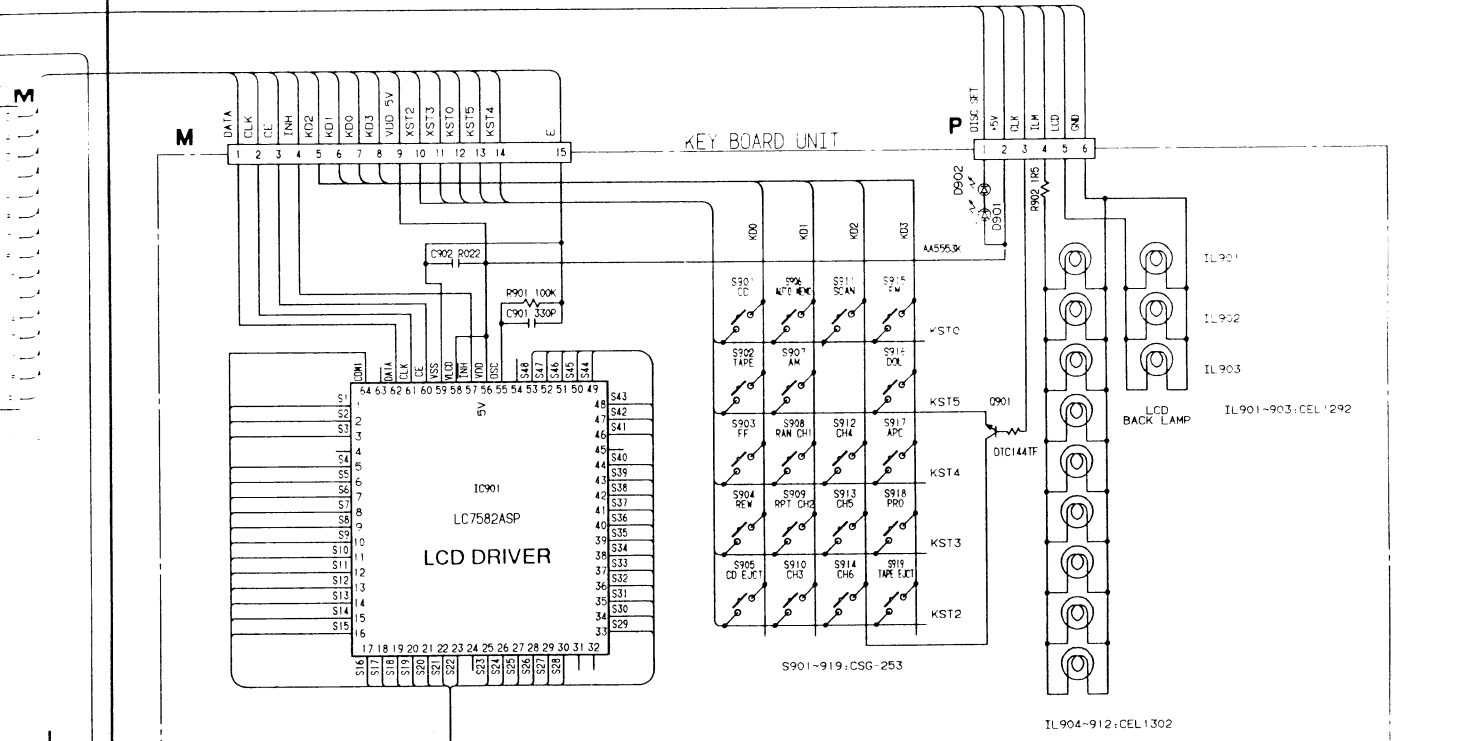




CD SECTION Fig.18(Page 22)



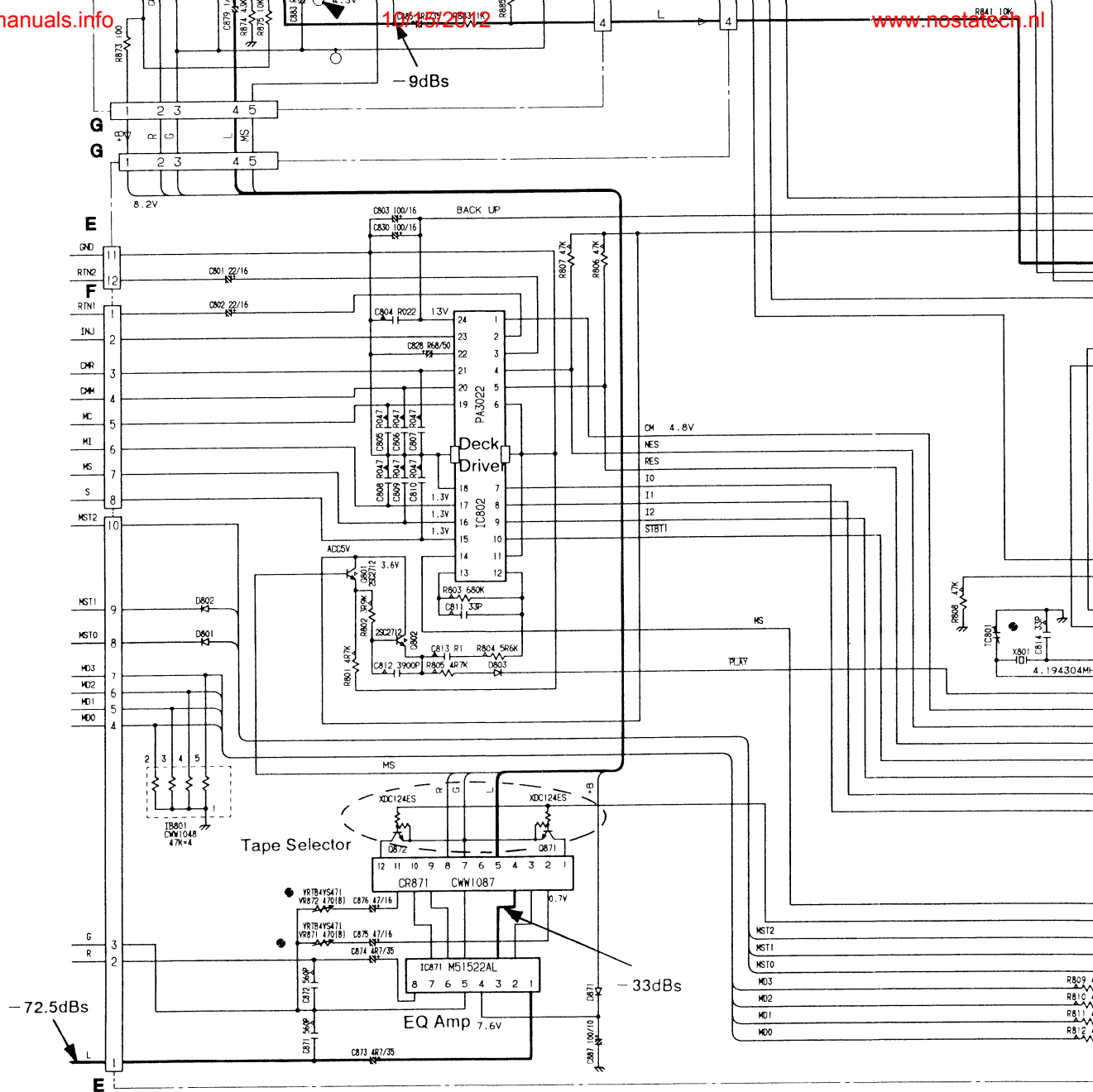
A
B
C



D

World of free manuals

TO AMP P.C. BOARD

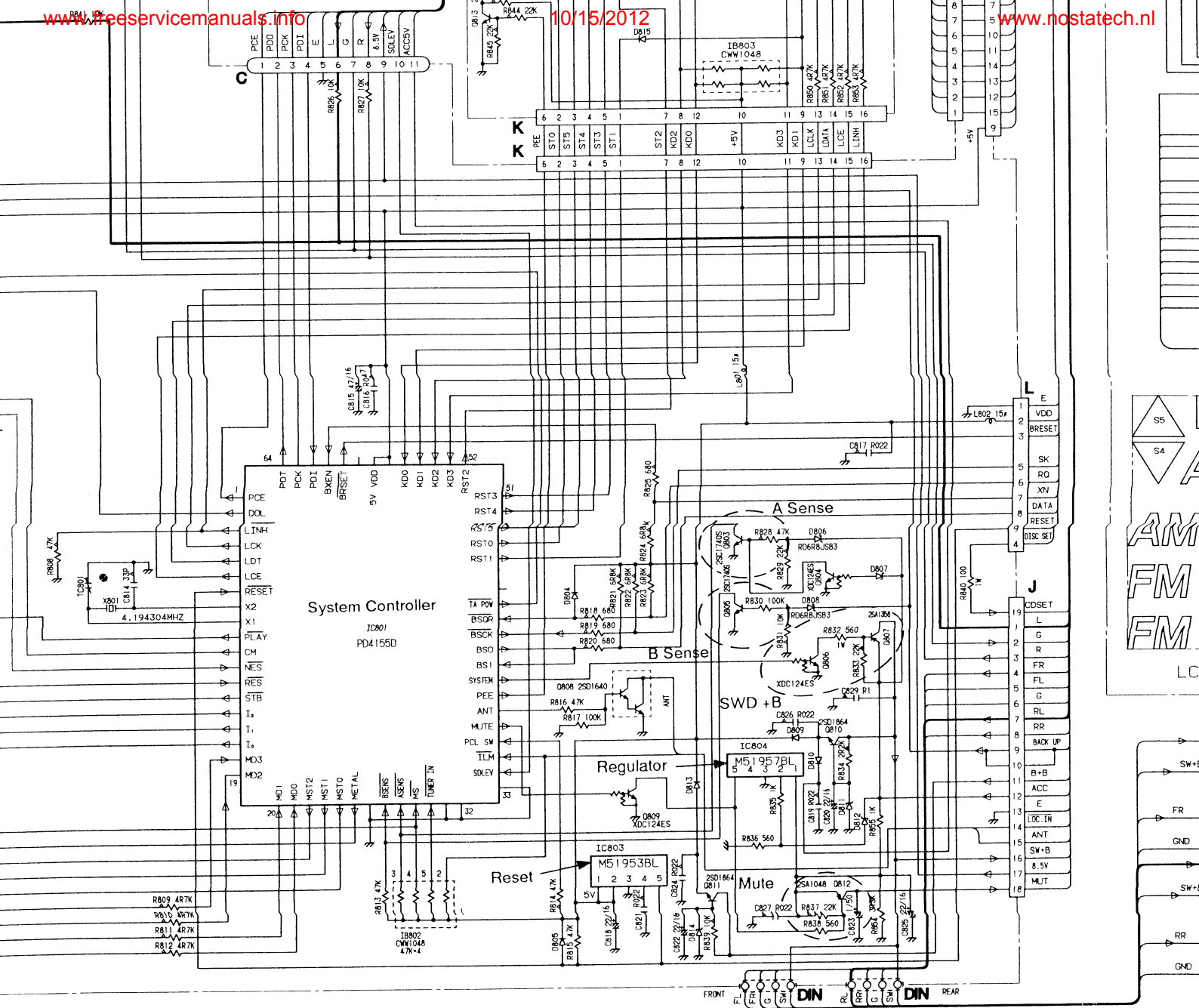


Test Tape 315Hz 0dB

1

2

3

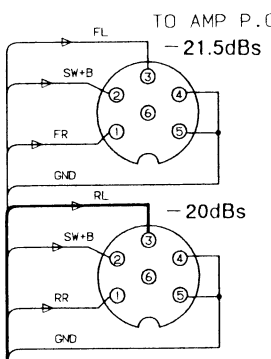
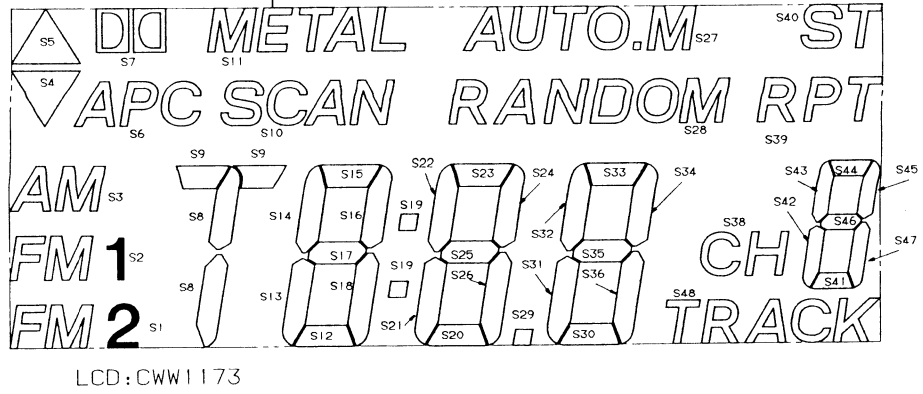
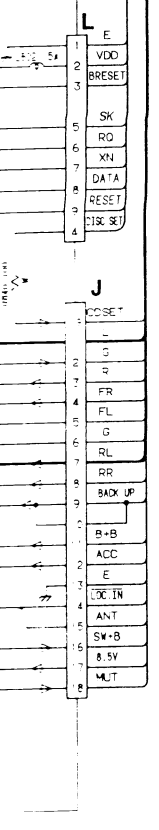
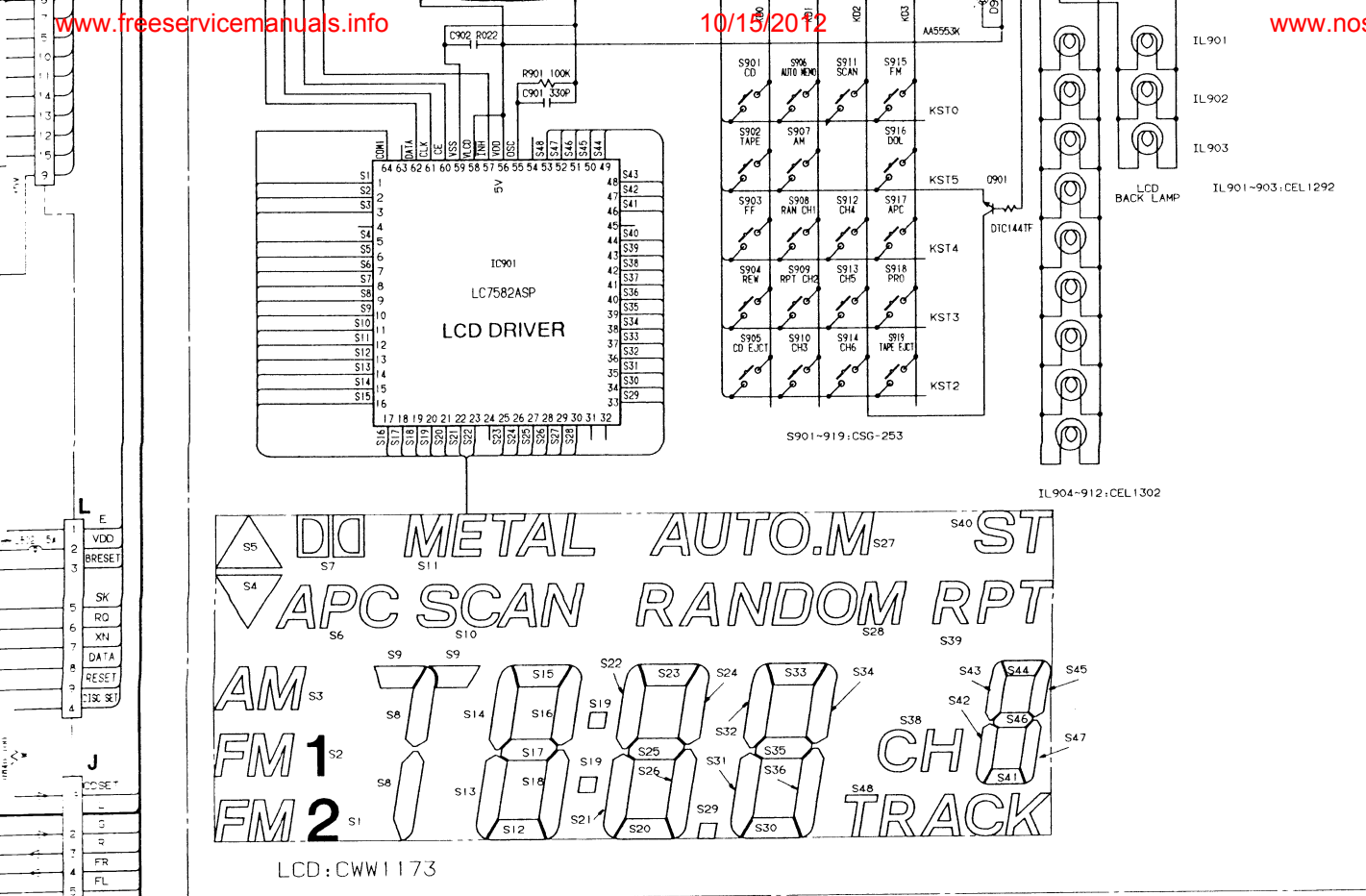


4

5

6

20



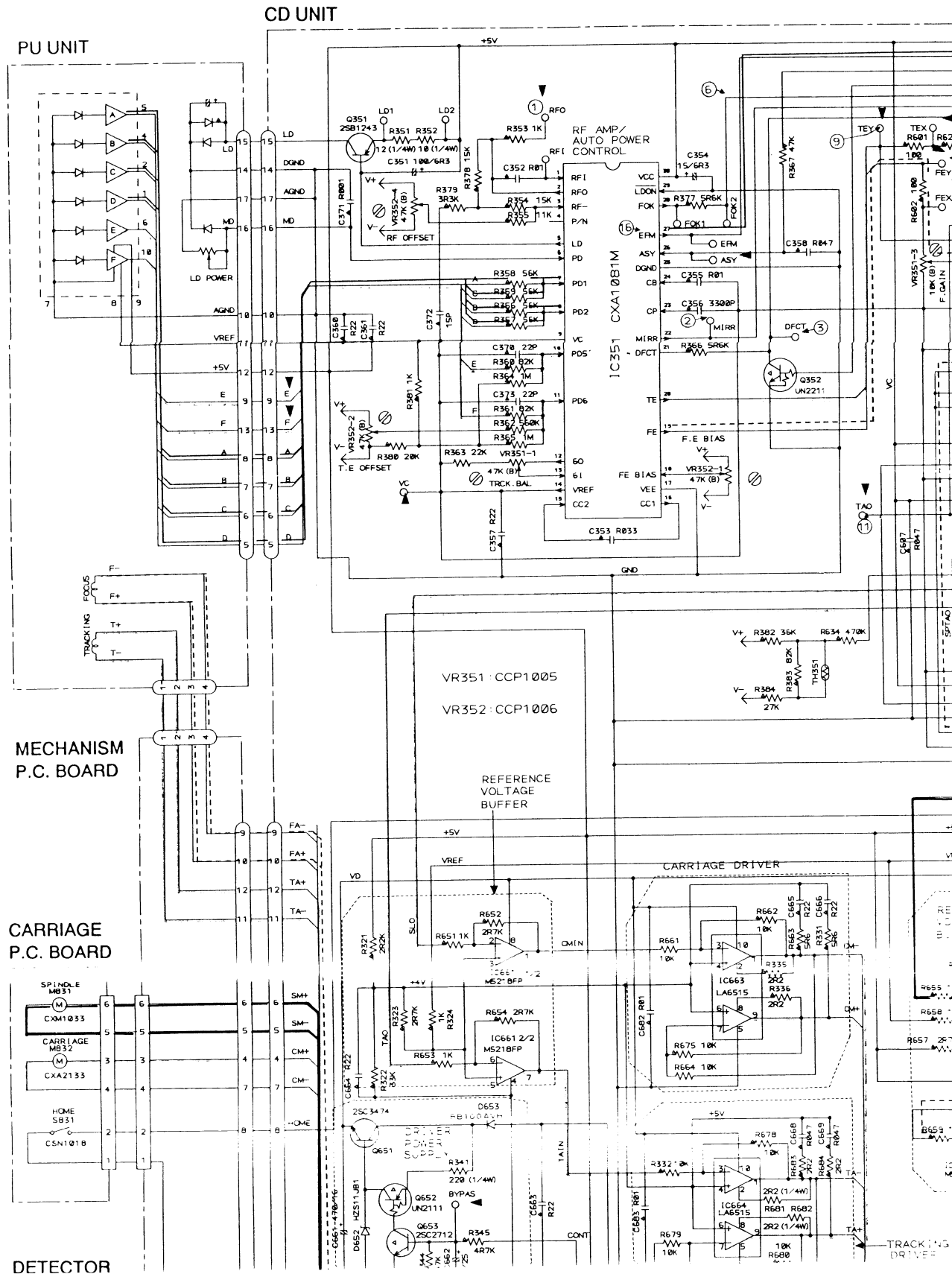
ISS133	D101, 102, 103, 104, 105, 107	RD9R1JSB2	D203
	D132, 133, 135, 136	RD6R8JSB3	D204, 806, 808
	D137, 138, 139, 140	RD22JSB1	D807
ISS133	D801, 802, 803, 804, 805	RD6R2JSB2	D811, 814
	D809, 810, 813, 815, 819	RD3R0ESB2	D134
	DB20, 821, 822, 871, 205	RD5R1JSB2	D141
	D201, 202, 206	ERA15-02VH	D210, 211
RD5R6JSB2		SM-3-02	D208, 209
	D212	RD7R5JSB2	D812

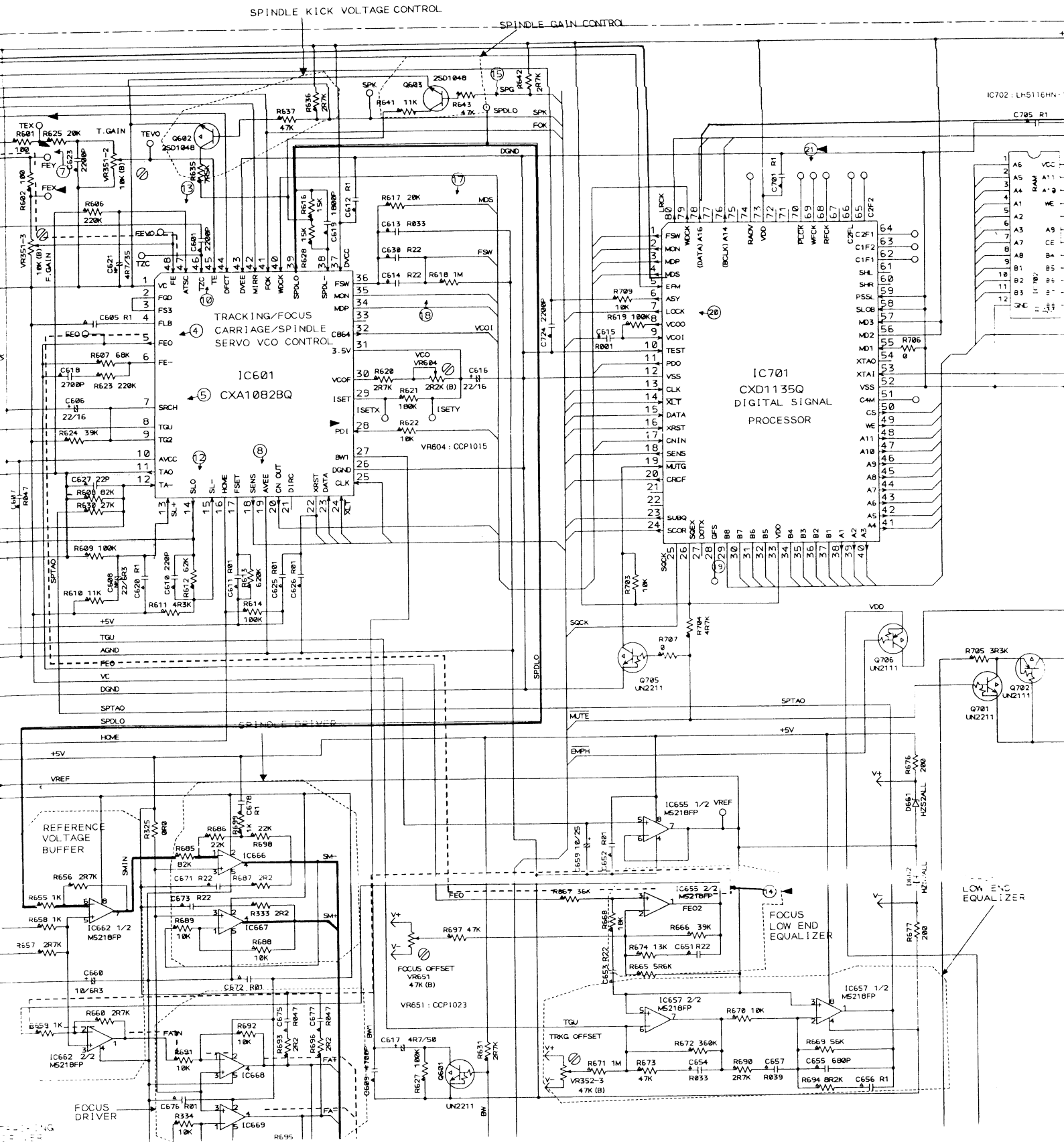
Fig. 17

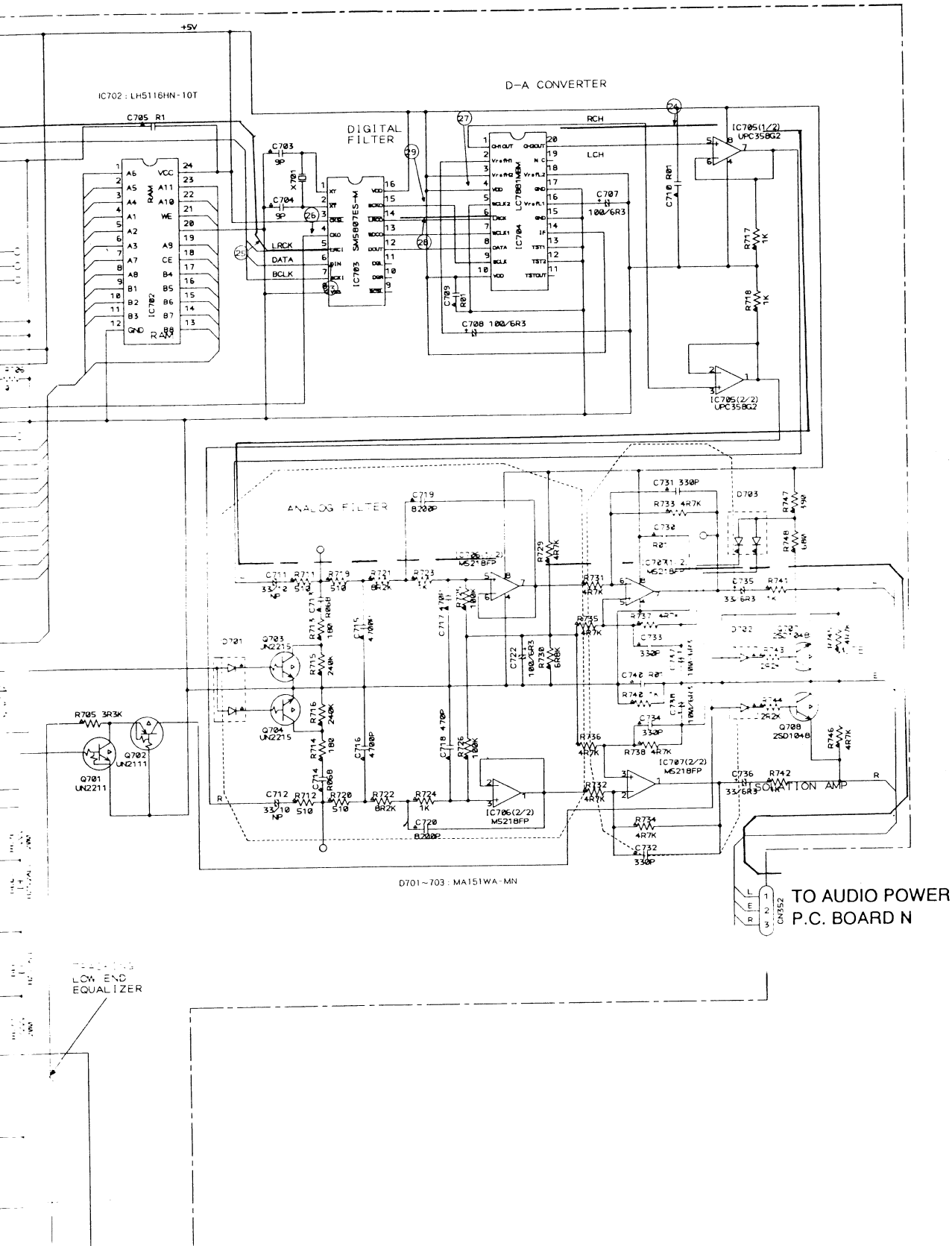
FH-5071ZM

7. SCHEMATIC CIRCUIT DIAGRAM (2)

A
B
C
D







VR351 : CCP1005

VR352 : CCP1006

MECHANISM P.C. BOARD

CARRIAGE P.C. BOARD

DETECTOR P.C. BOARD

REFERENCE VOLTAGE BUFFER

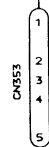
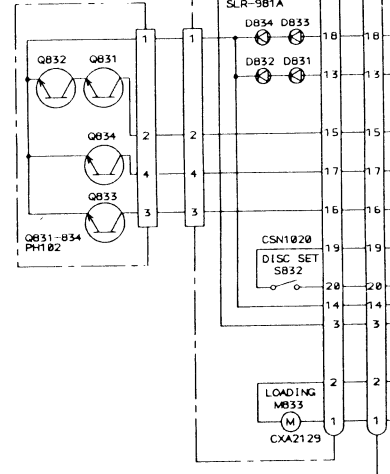
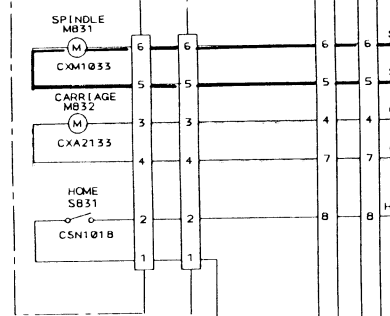
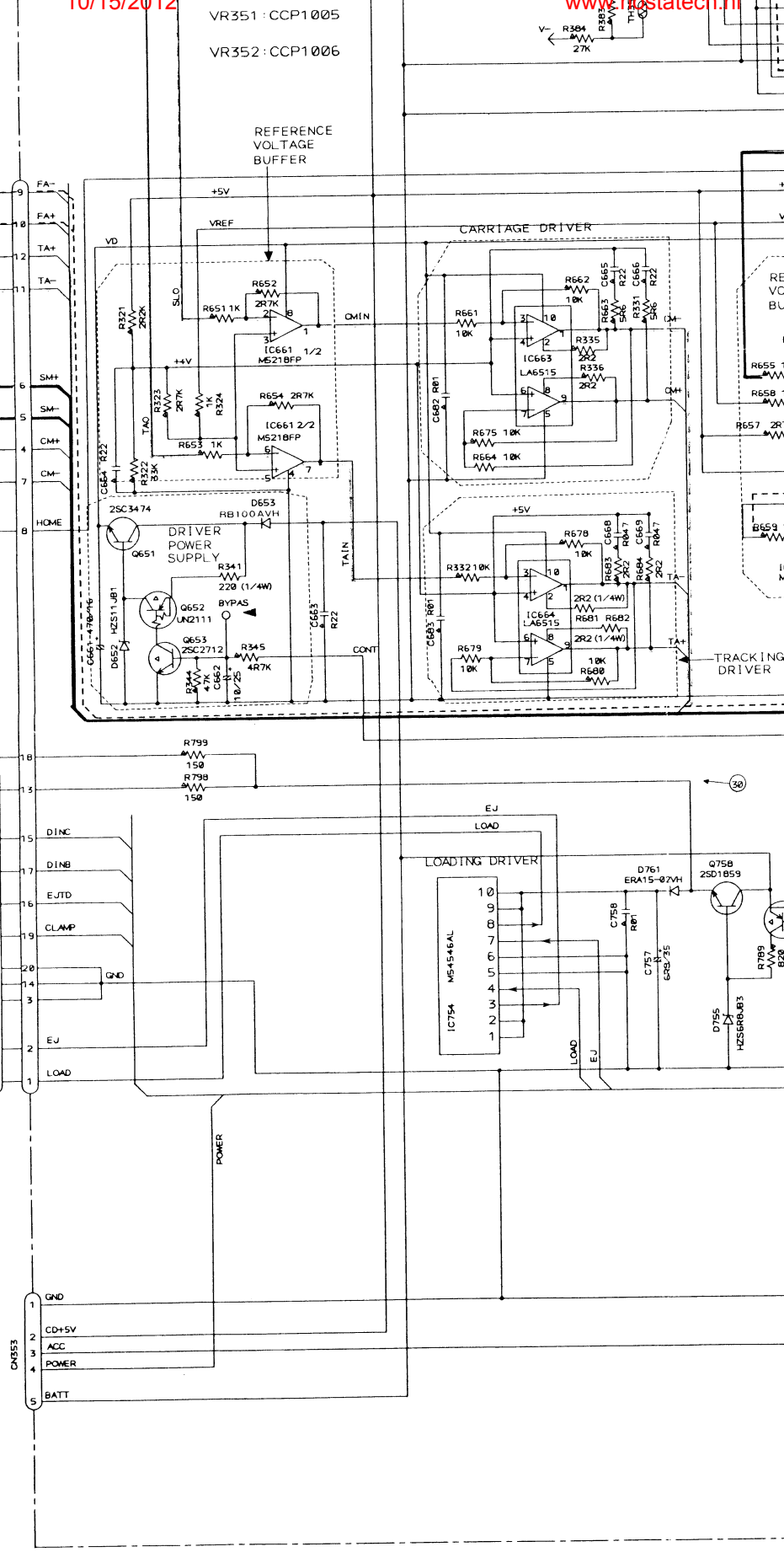
CARRIAGE DRIVER

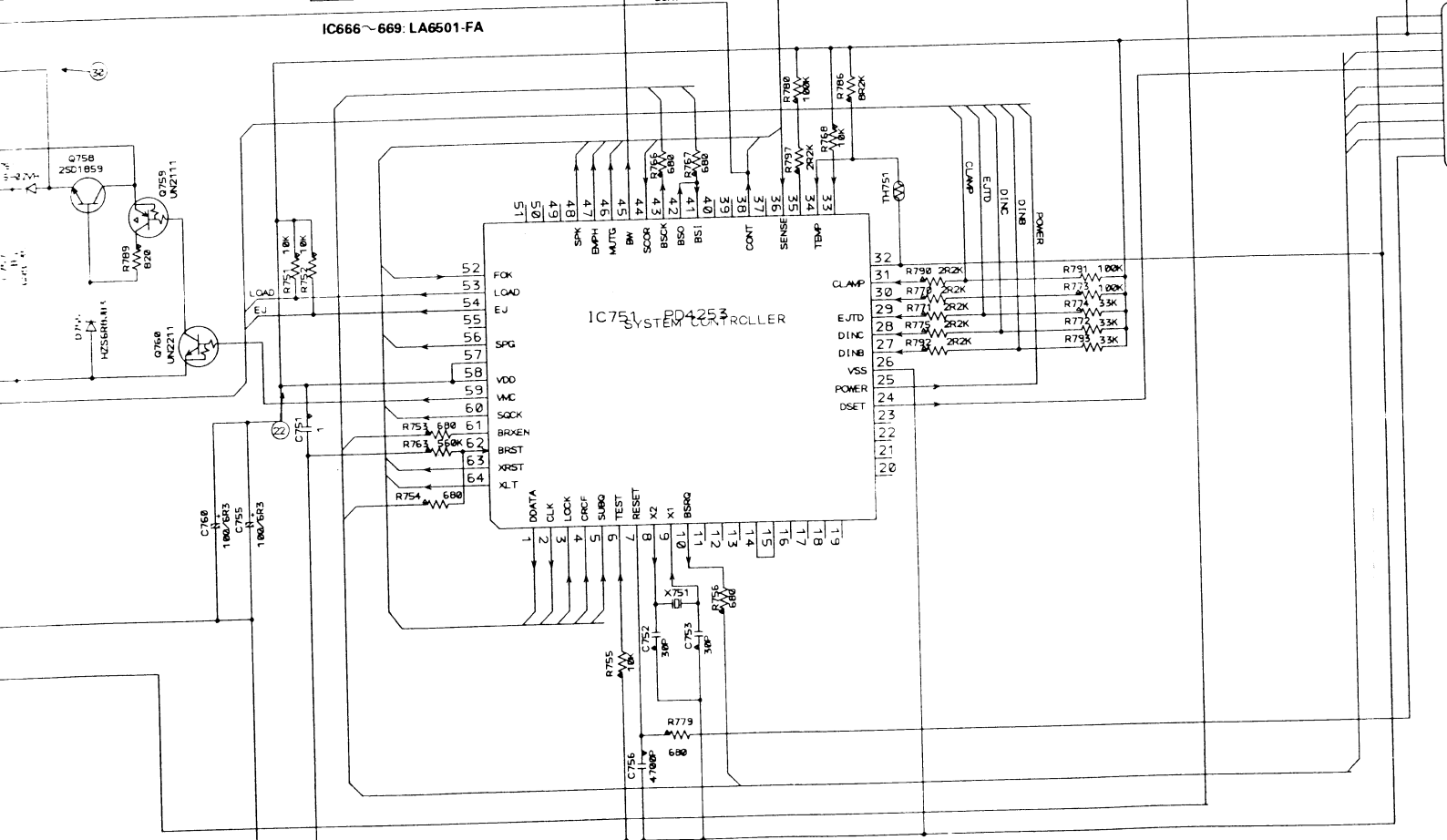
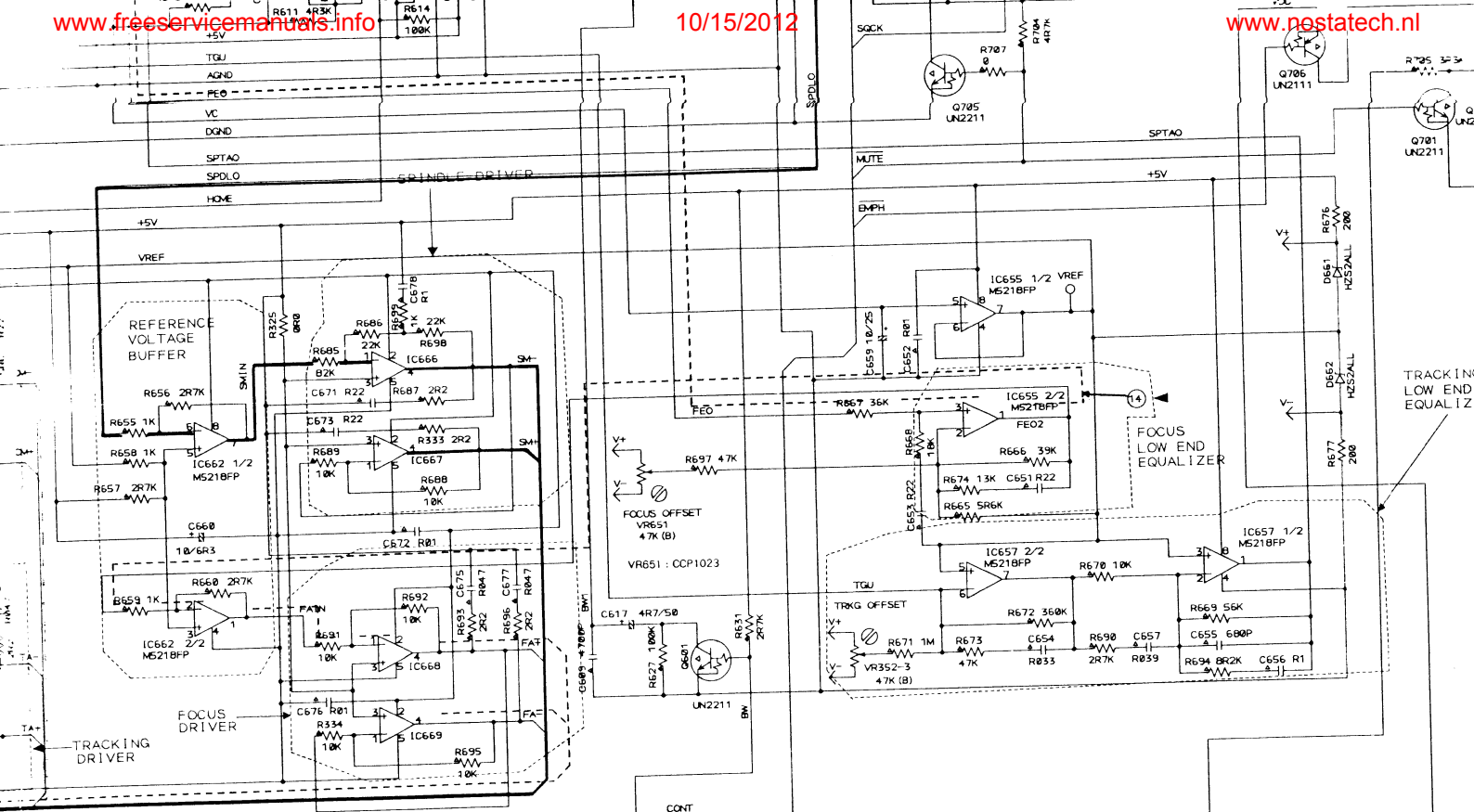
TRACKING DRIVER

DRIVER POWER SUPPLY

LOADING DRIVER

TO AUDIO POWER UNIT O





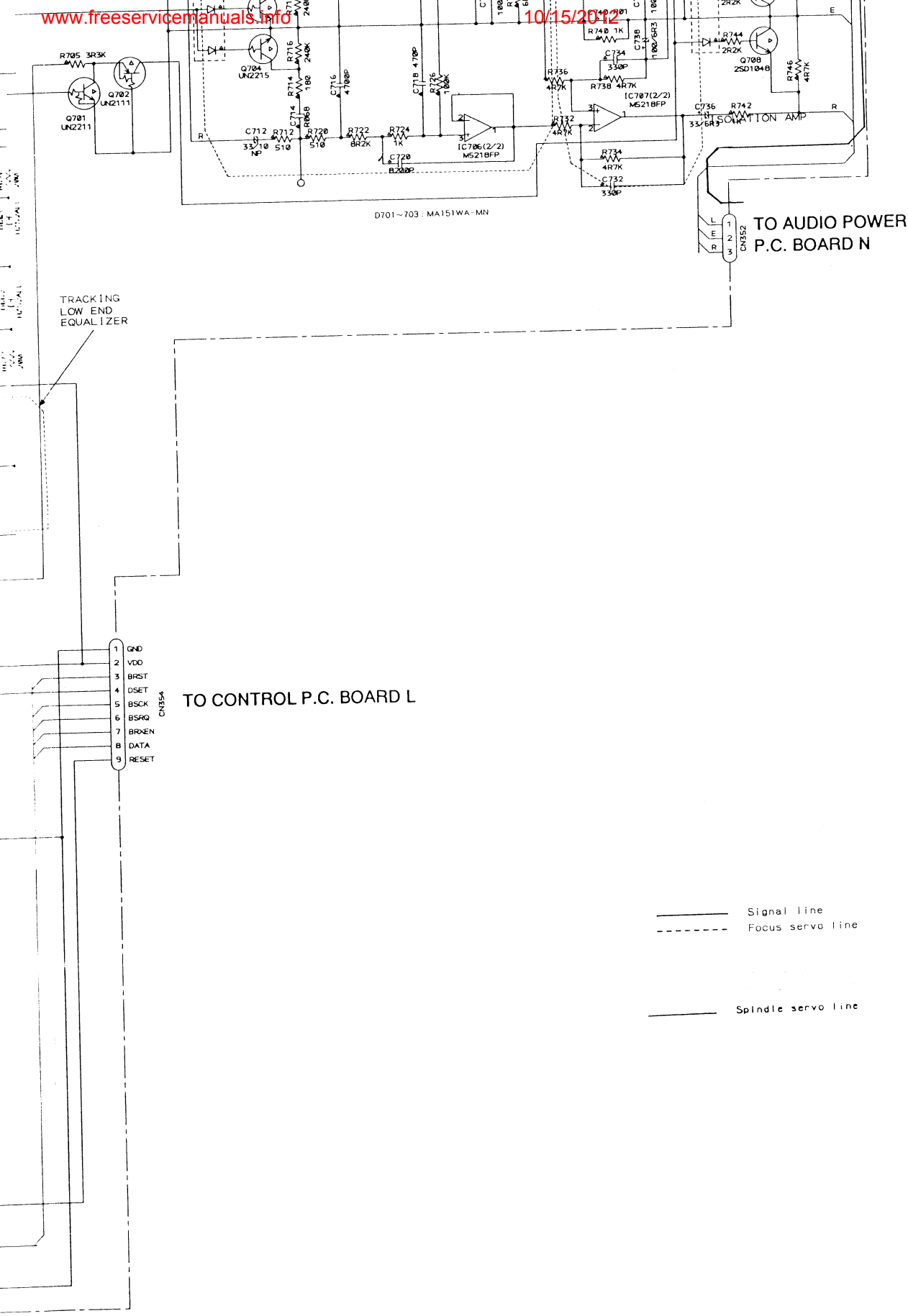


Fig. 18

24

7

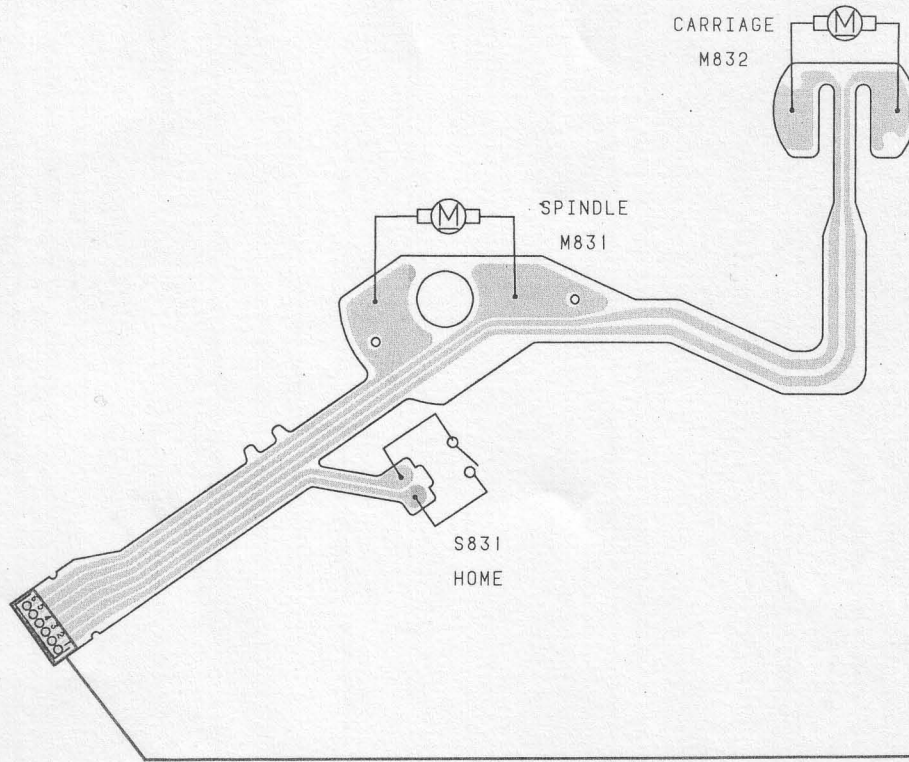
8

9

8. CONNECTION DIAGRAM (2)

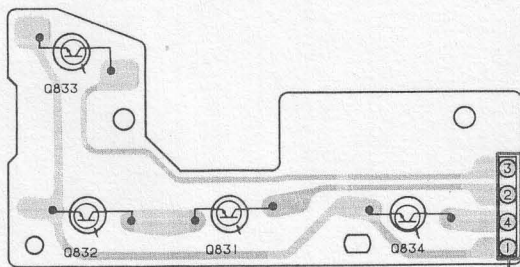
A

CARRIAGE P.C. BOARD



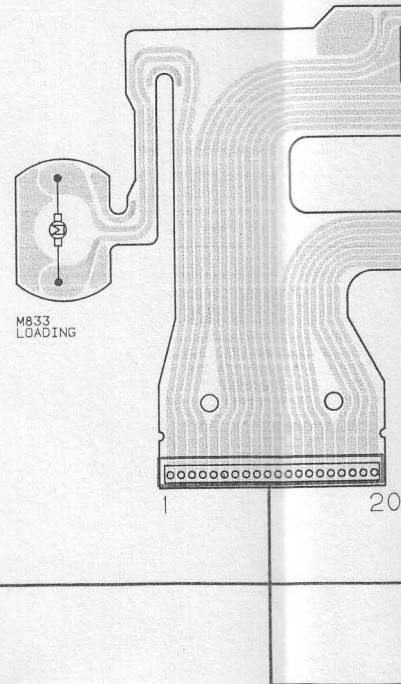
B

DETECTOR P.C. BOARD



C

MECHANISM P.C. BOARD



D

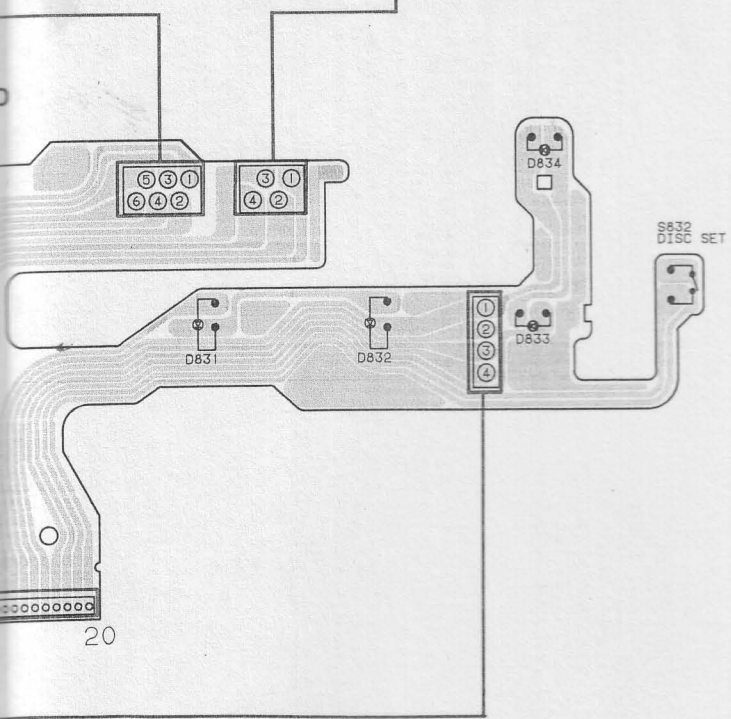
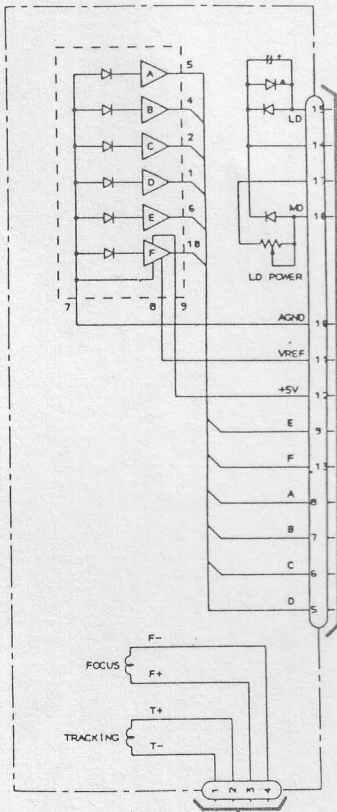
1

2

3

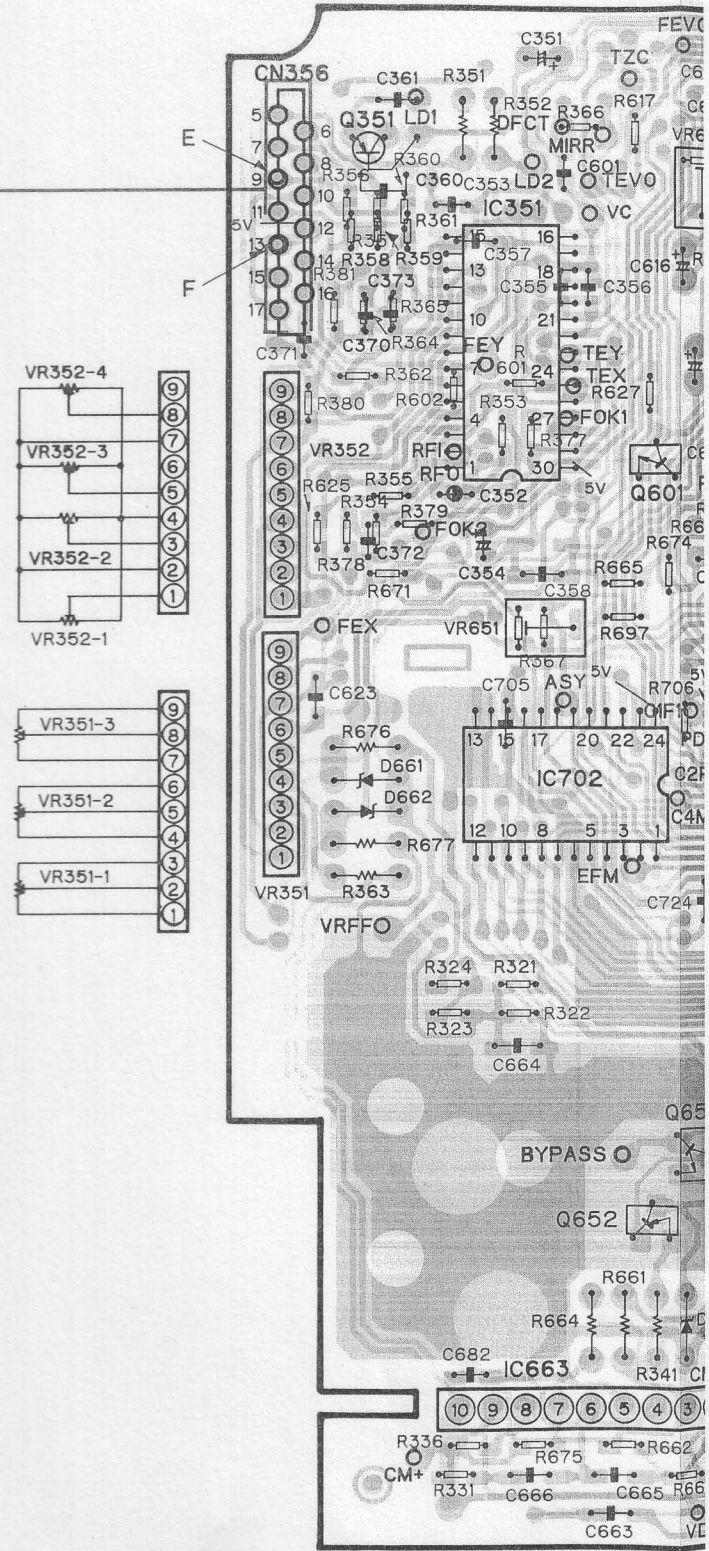
25

PU UNIT



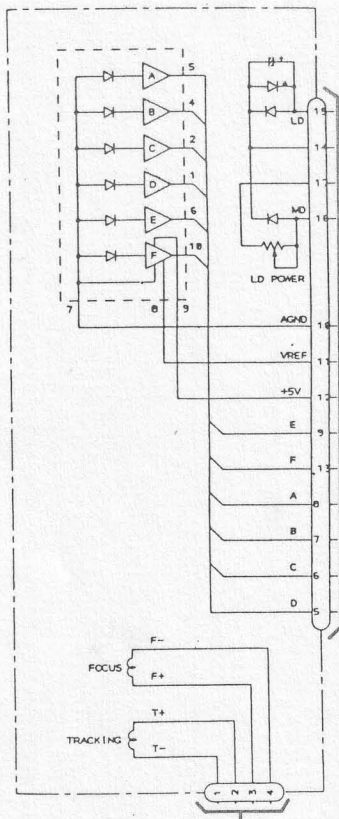
CD UNIT

IC, Q	Q351	IC663	Q601	Q652	Q653
ADJ	VR351	VR651	VR651	VR651	VR651
	VR352				

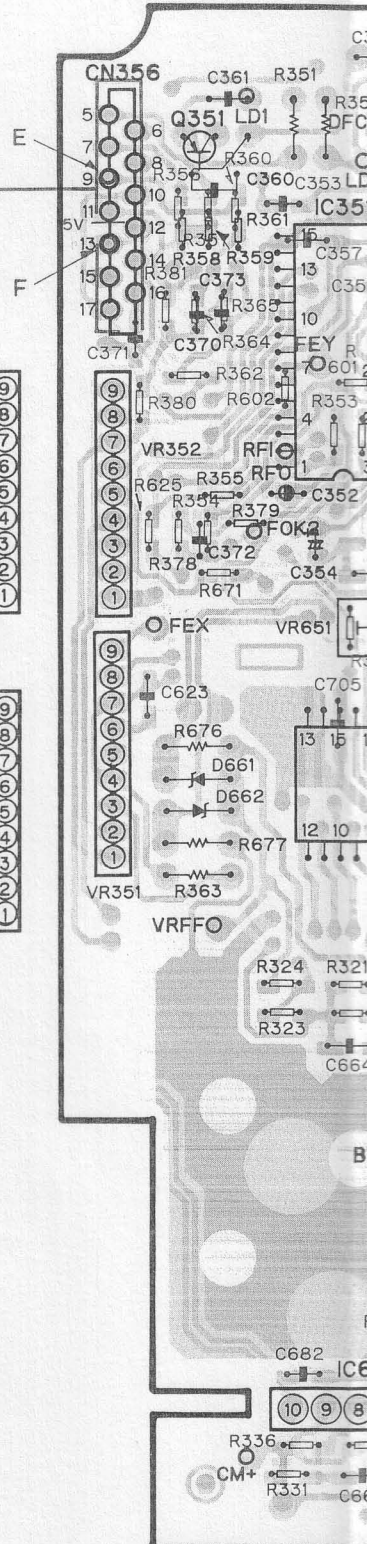


CD UNIT

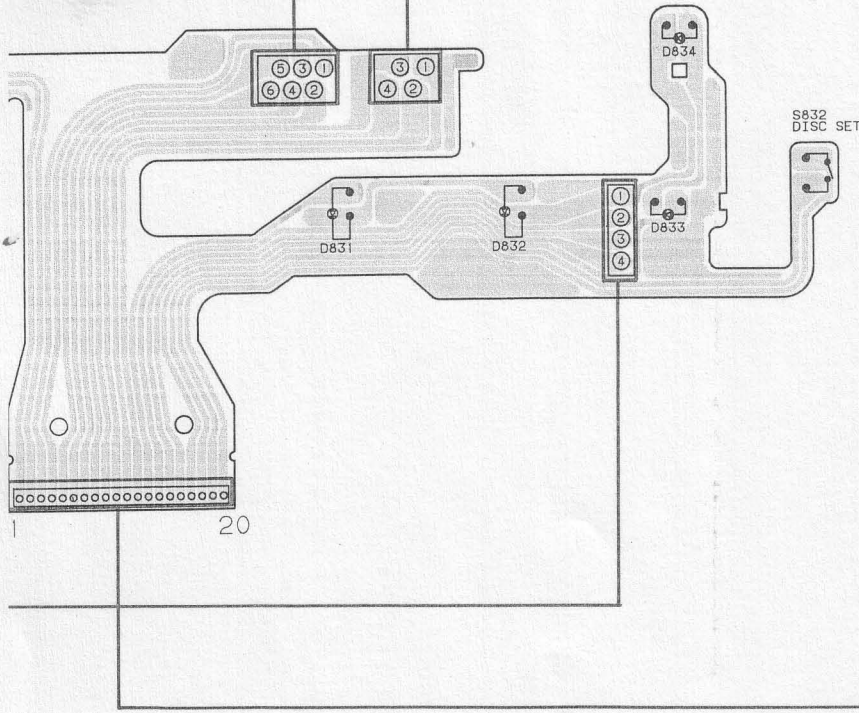
PU UNIT



IC, Q	Q351	IC663	IC351
ADJ	VR351 VR352		



.C. BOARD



IC703 Q758
 IC701Q352 IC662 IC661 IC706 Q704 IC751 Q707
 Q663 Q601 Q653 IC655 IC668 IC601 IC664 IC666 IC707 Q703 Q701 Q702 Q708 Q759
 551 IC702 Q652 Q651 Q602 IC669 Q603 IC657 IC667 IC704 IC705 Q705 Q706 IC754 Q760
 VR651 VR604

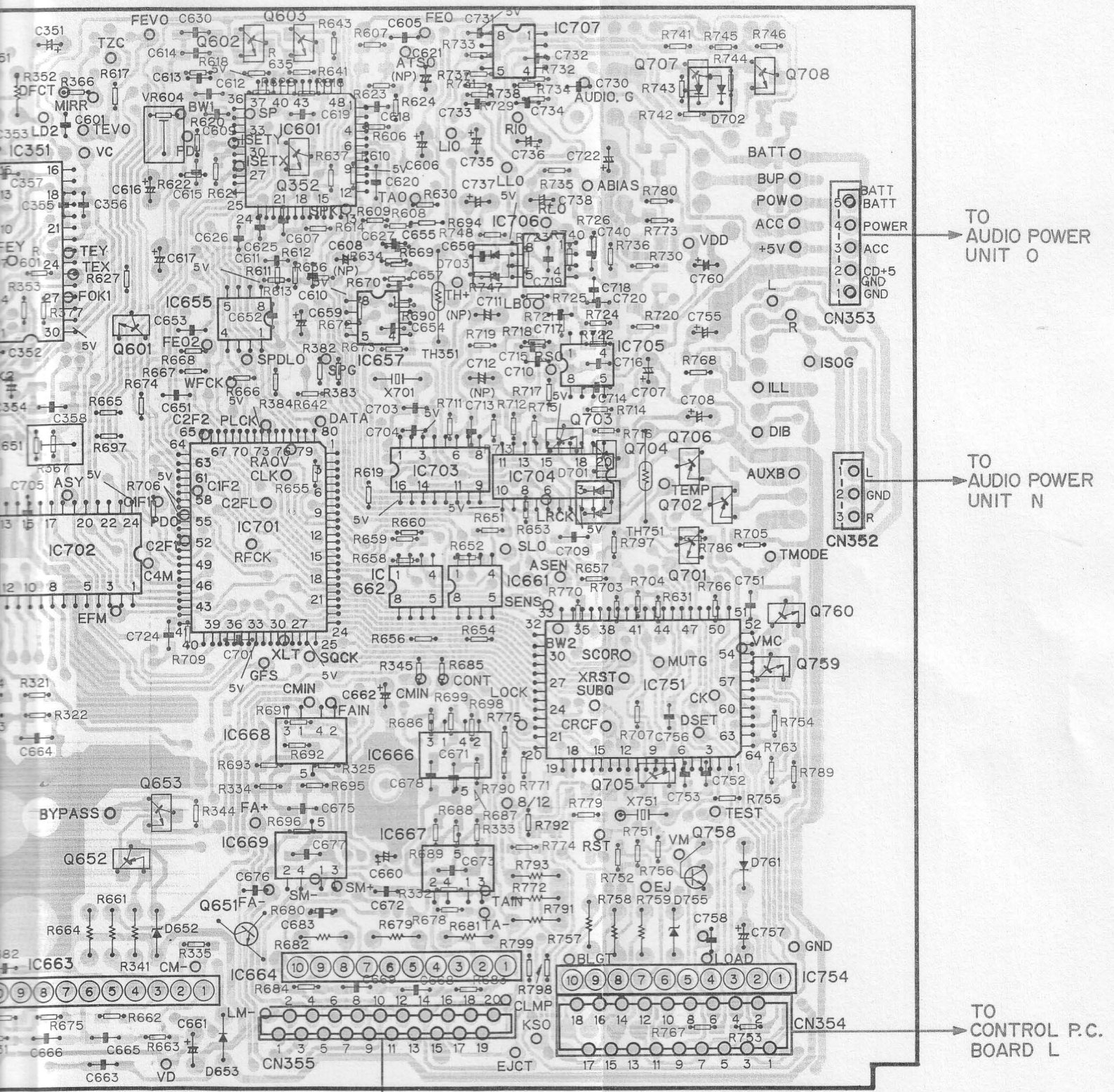


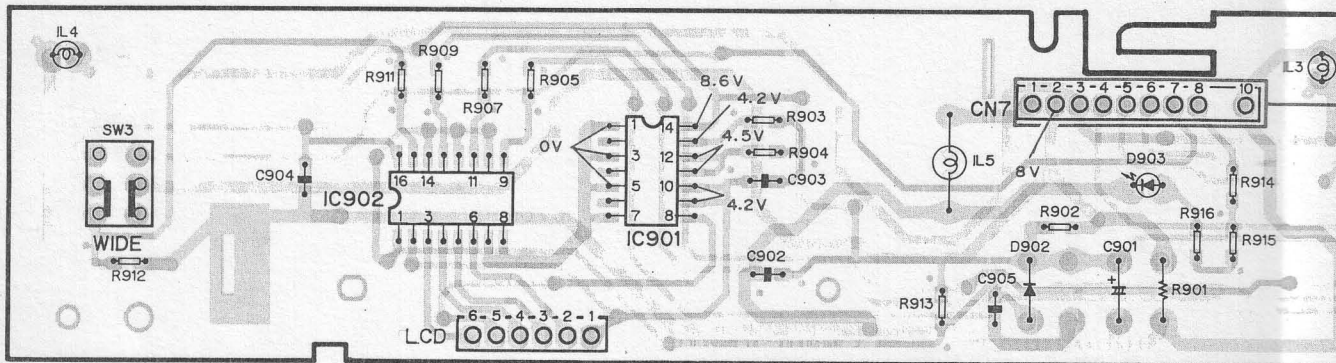
Fig. 19

9. CONNECTION DIAGRAM (3)

A

GRILLE P.C BOARD

IC IC902 IC901



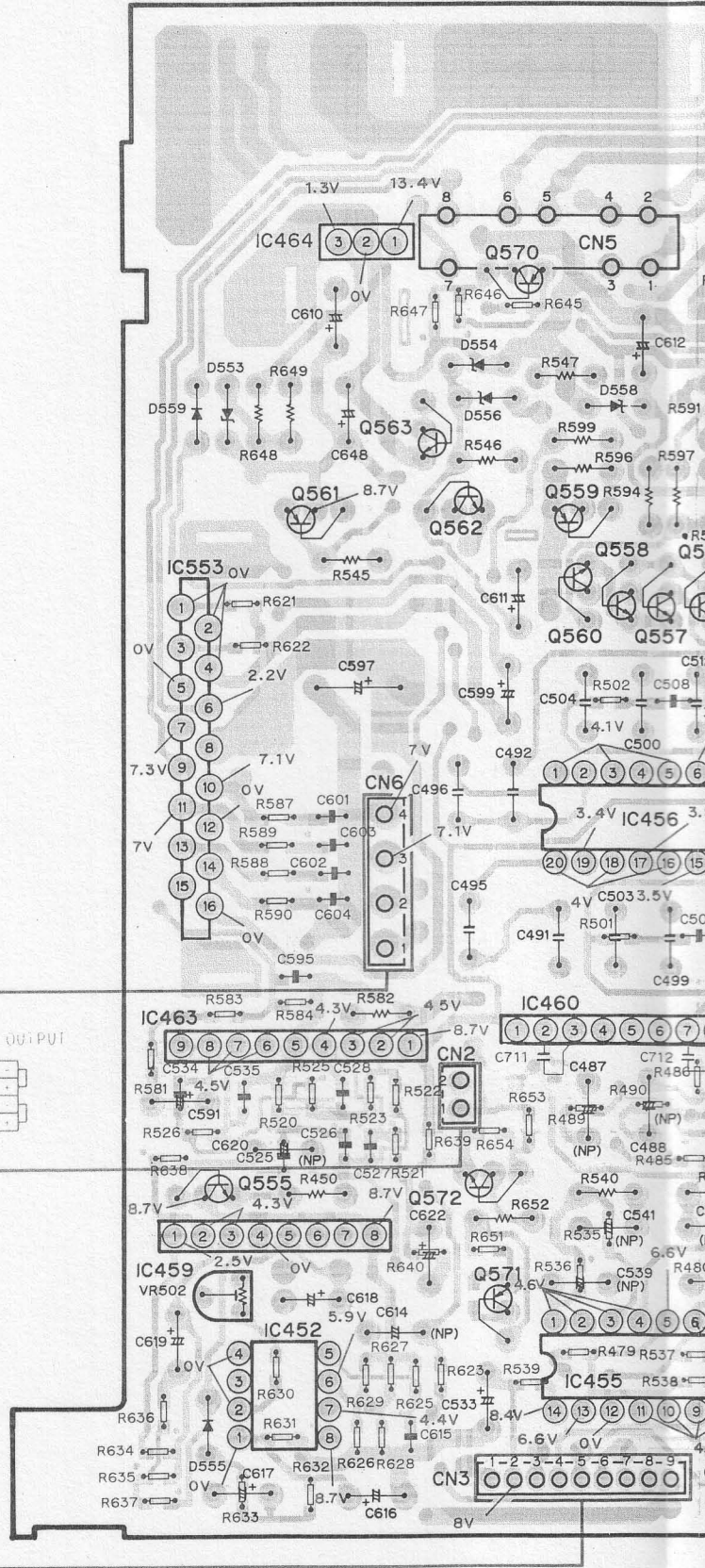
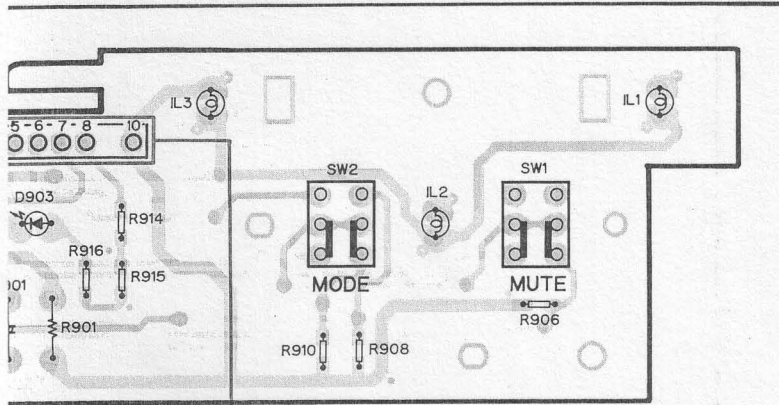
B

C

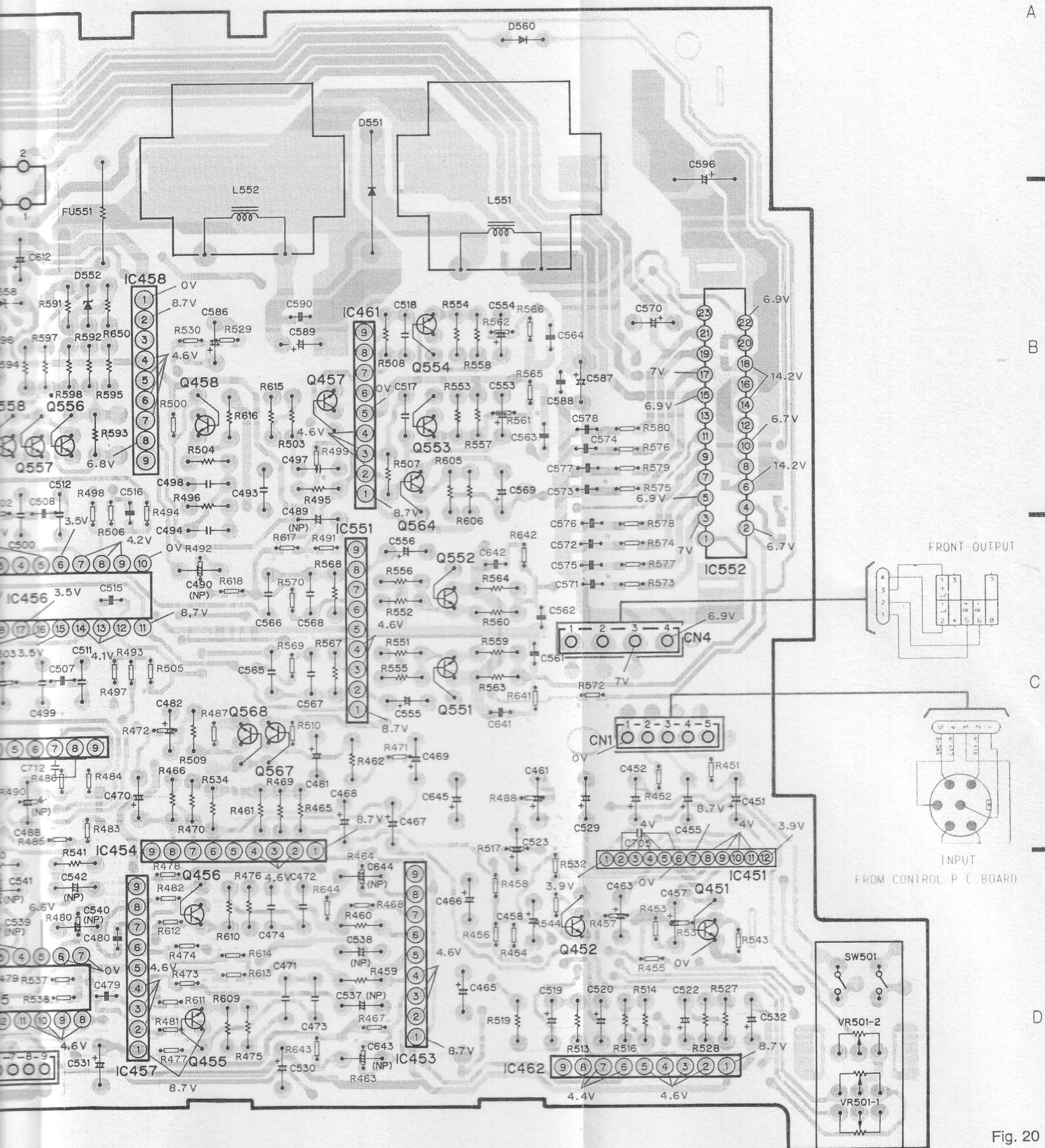
D

AMP P.C BOARD

	IC452	Q570	Q560	Q557
	Q555	IC459	IC464	Q572
IC. Q	IC553	IC463	Q561	Q563
ADJ	VR502		Q562	IC460
			Q559	Q558
			IC455	



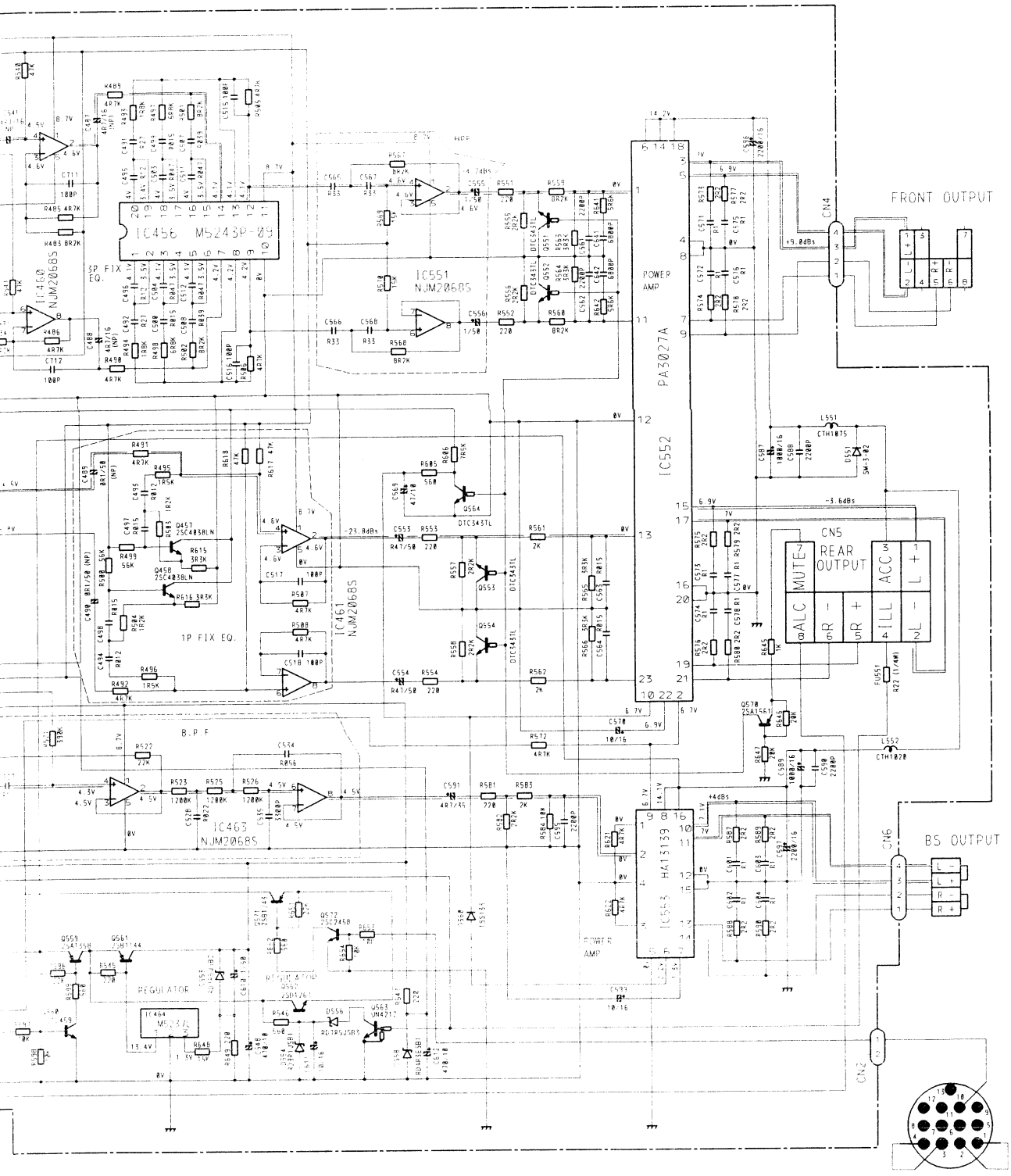
Q557 Q458 Q553 Q552
 Q558 Q556 IC458 Q455 Q457 IC461 Q564 Q551 IC552
 IC455 IC456 IC457 IC454 Q568 Q567 IC551 IC453 Q554 Q452 IC462 IC451 Q451



A
B
C
D

Fig. 20

FH-50712M

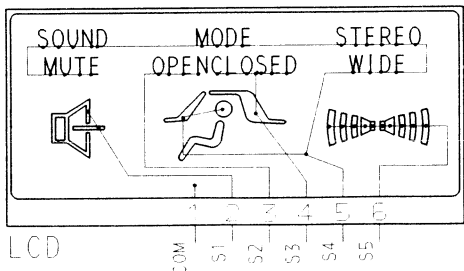


A

B

C

D



FROM AUDIO POWER P.C. BOARD

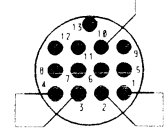
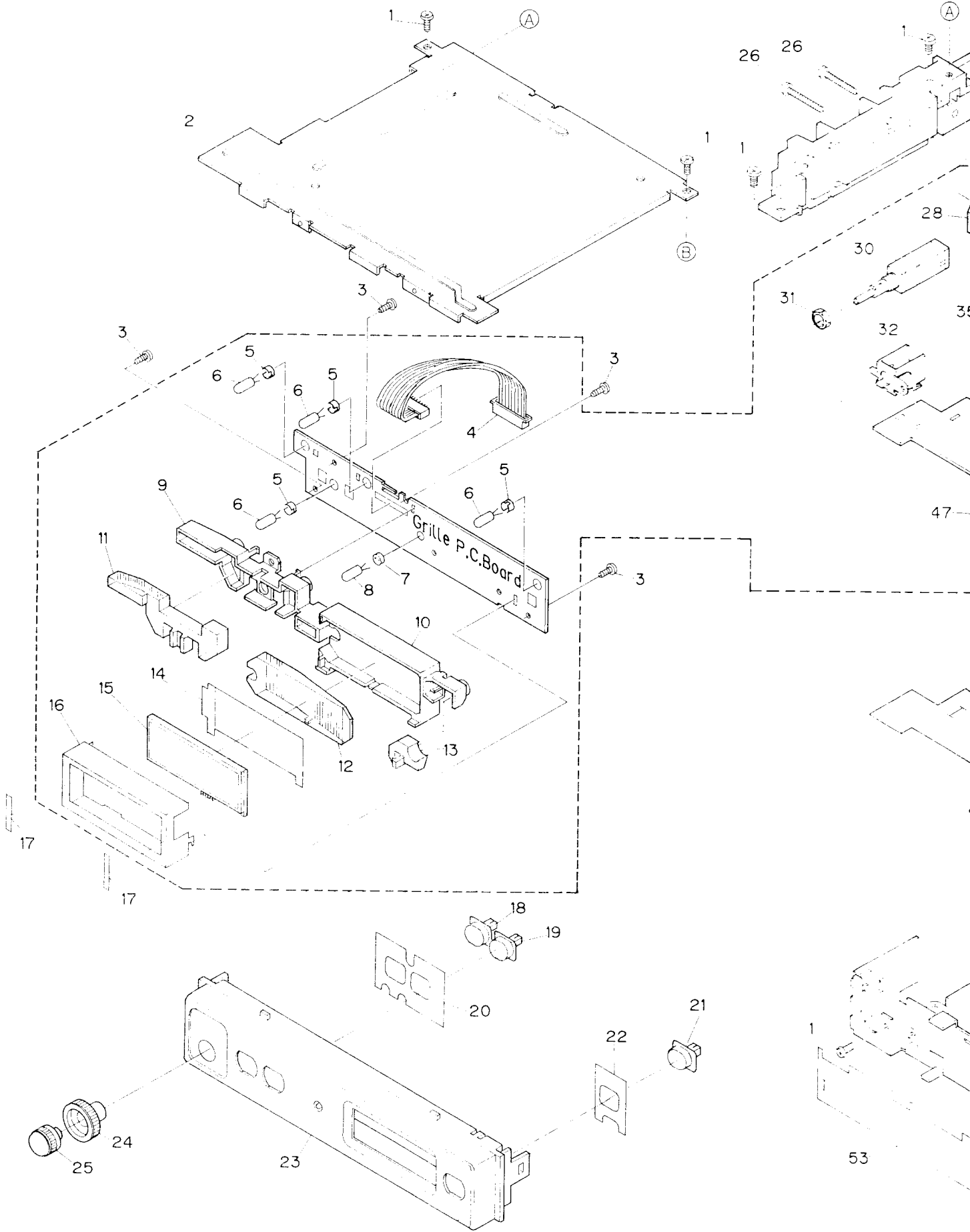


Fig. 21

FH-5071ZM

11. CHASSIS EXPLODED VIEW (1)



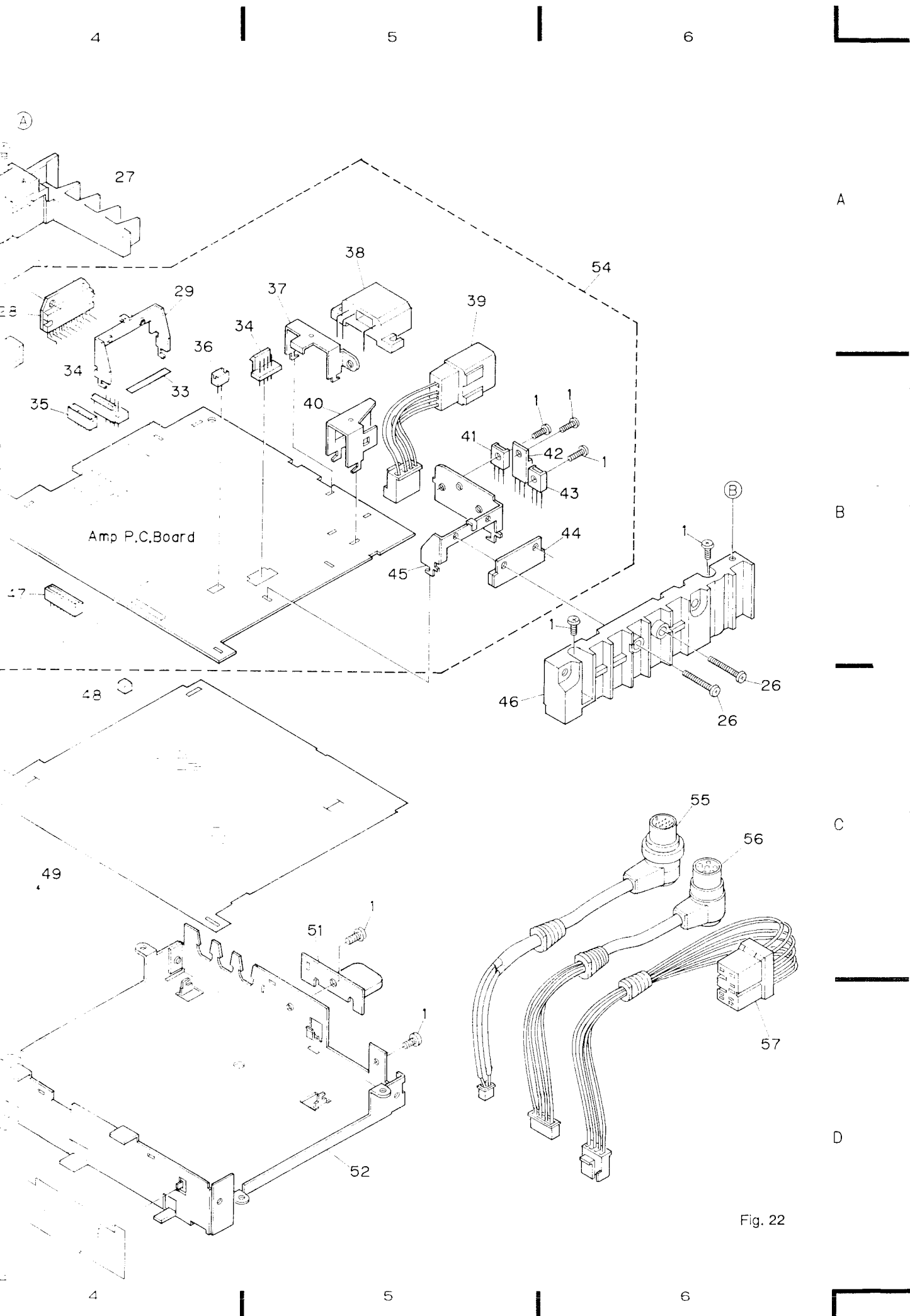


Fig. 22

NOTES:

- Parts marked by "*" or "*" are generally unavailable because they are not in our Master Spare Parts List.
- Parts marked by "•" are not always kept in stock. Their delivery time may be longer than usual or they may be unavailable.

● Parts List

Mark No.	Description	Part No.	Mark No.	Description	Part No.
	1 Screw	BMZ30P050FMC		31 Nut	CBA-067
*	2 Case	CNB1617	*	32 Holder	CNC4266
	3 Screw	BPZ20P080FMC		33 Insulator	CNM3485
	4 Connector	CDE3692	*	34 Plug	CKS-557
	5 Holder	CNV2984	*	35 Plug	CKS2084
	6 Lamp(IL1-4)	CEL1302		36 Plug	CKS-566
	7 Spacer	CNV3021	*	37 Holder	CNC4264
	8 Lamp(IL5)	CEL1287		38 Plug	CKM1035
	9 Holder	CNV3164		39 Connector	CDE3693
	10 Holder	CNV3165	*	40 Holder	CNC4265
	11 Lens	CNV3162		41 Transistor(Q559)	2SA1358
	12 Lens	CNV3225		42 Transistor(Q562)	2SD1267
	13 Lens	CNV3163		43 Transistor(Q561)	2SB1144
	14 Plate	CNM3412	*	44 Holder	CNC4263
	15 LCD	CAW1185		45 IC(IC553)	HA13139
	16 Holder	CNC4361	*	46 Heat Sink	CNR1243
*	17 Spacer	CNM3551		47 Plug	CKS1042
	18 Button(MUTE)	CAC3276		48 Spacer	CNM3492
	19 Button(MODE)	CAC3277	*	49 Insulator	CNM3346
	20 Button(WIDE)	CAC3278		50	
	21 Cover	CNM3483		51 Bracket	CNC4267
	22 Cover	CNM3484	*	52 Chassis	CNA1459
	23 Grille Unit	CXA5330	*	53 Insulator	CNM3486
	24 Knob	CAA1297	●	54 Amp Unit	CWM3244
	25 Knob	CAA1296		55 Cord	CDE3738
	26 Screw	BMZ30P200FMC		56 Cord	CDE3676
*	27 Heat Sink	CNR1244		57 Connector	CDE3696
	28 IC(IC552)	PA3027A			
*	29 Holder	CNC4262			
	30 Volume(VR501/SW501)	CCS1202			

FH-50712M**12. CHASSIS EXPLODED VIEW (2)**

● Parts List

Mark No.	Description	Part No.	Mark No.	Description	Part No.
●	1 Key Board Unit	CWM3242	31	Button(FM)	CAC3271
*	2 Connector	CDE1927	32	Button(AM)	CAC3272
	3 Spacer	CNM1993	33	Button(CD PLAY)	CAC3273
	4 Lamp(IL904-912)	CEL1302	34	Button(TAPE PLAY)	CAC3274
	5 Spacer	CNM3472	35	Knob	CAA1294
	6 Lamp(IL901-903)	CEL1292	36	Knob	CAA1293
	7 P. C. Board	CNP1806	37	Knob	CAA1295
	8 Lens	CNV3283	38	Spring	CBH1044
	9 Lens	CNV3282	39	Door	CAT1458
*	10 Sheet	CNM2110	40	Grille Unit	CXA5329
	11 Lens	CNV3280	41	Screw	BPZ20P080FMC
	12 Lens	CNV3281	42	Screw	CMZ50P080FMC
	13 Housing	CNV1776	43	Screw	BMZ50P080FMC
	14 Lens	CNV1774	44	Bracket	CNC4269
	15 Plate	CNM1973	45	Screw	BMZ30P050FMC
	16 Connector	CNV1777	*	46 Case Unit	CXA3249
	17 LCD	CWW1173		47 Screw	BMZ26P050FMC
	18 Holder Unit	CXA5115		48 Screw	PMA26P100FMC
*	19 Cushion	CNM1899	●	49 CD Mechanism Unit	CXK2420
*	20 Cushion	CNM1900	*	50 Cushion	CNM1999
	21 Button(AUTO/SCAN)	CAC3262	51	Screw	PMF26P050FMC
	22 Button(1/4)	CAC3263	52	Bracket	CNC4268
	23 Button(2/5)	CAC3264			
	24 Button(3/6)	CAC3265			
	25 Button(CD EJECT)	CAC3275			
	26 Button(TUN)	CAC3266			
	27 Button(DOLBY NR)	CAC3267			
	28 Button(APC)	CAC3268			
	29 Button(TAPE REVERSE)	CAC3269			
	30 Button(TAPE EJECT)	CAC3270			

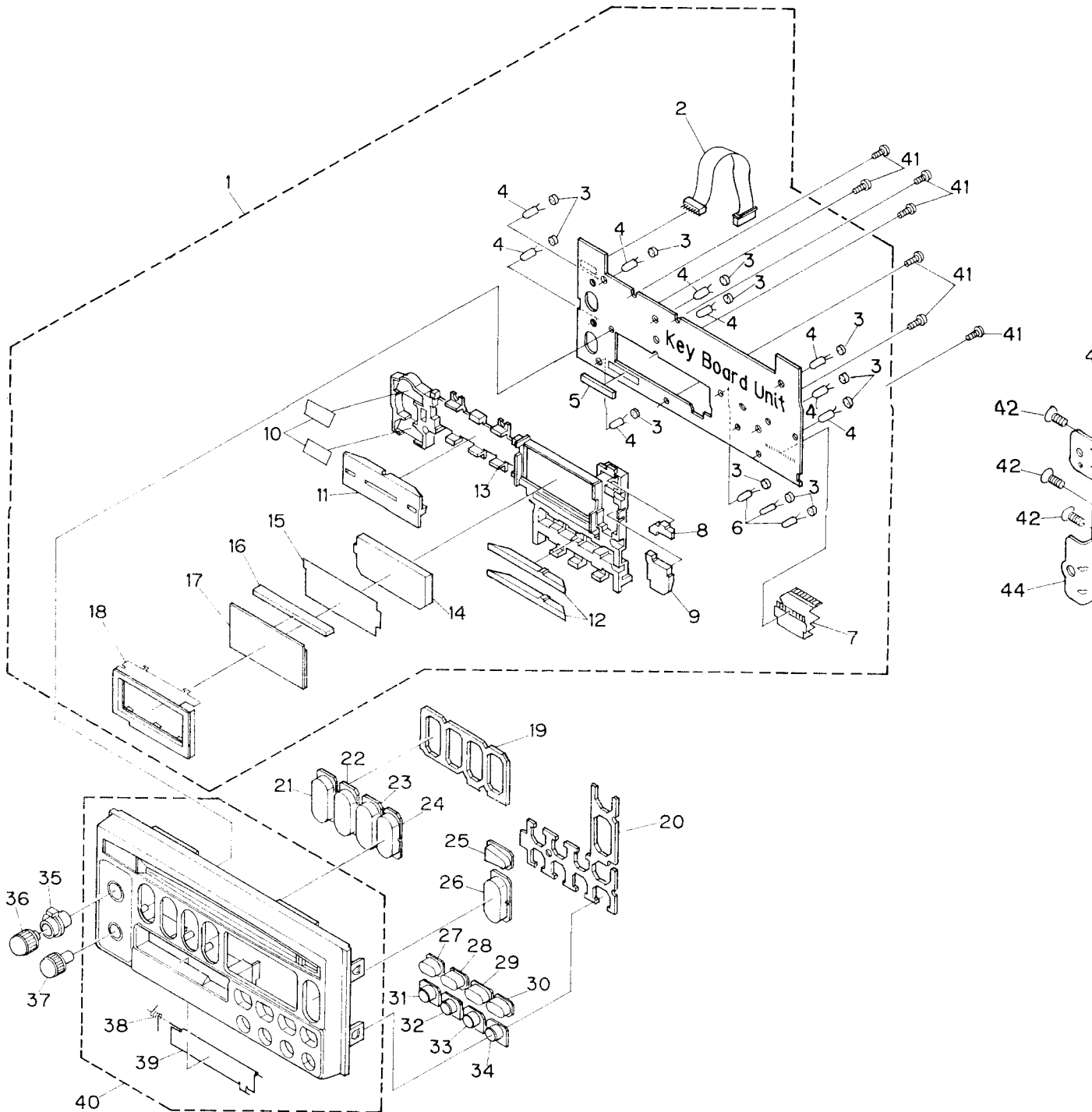
● Chassis (2)

A

B

C

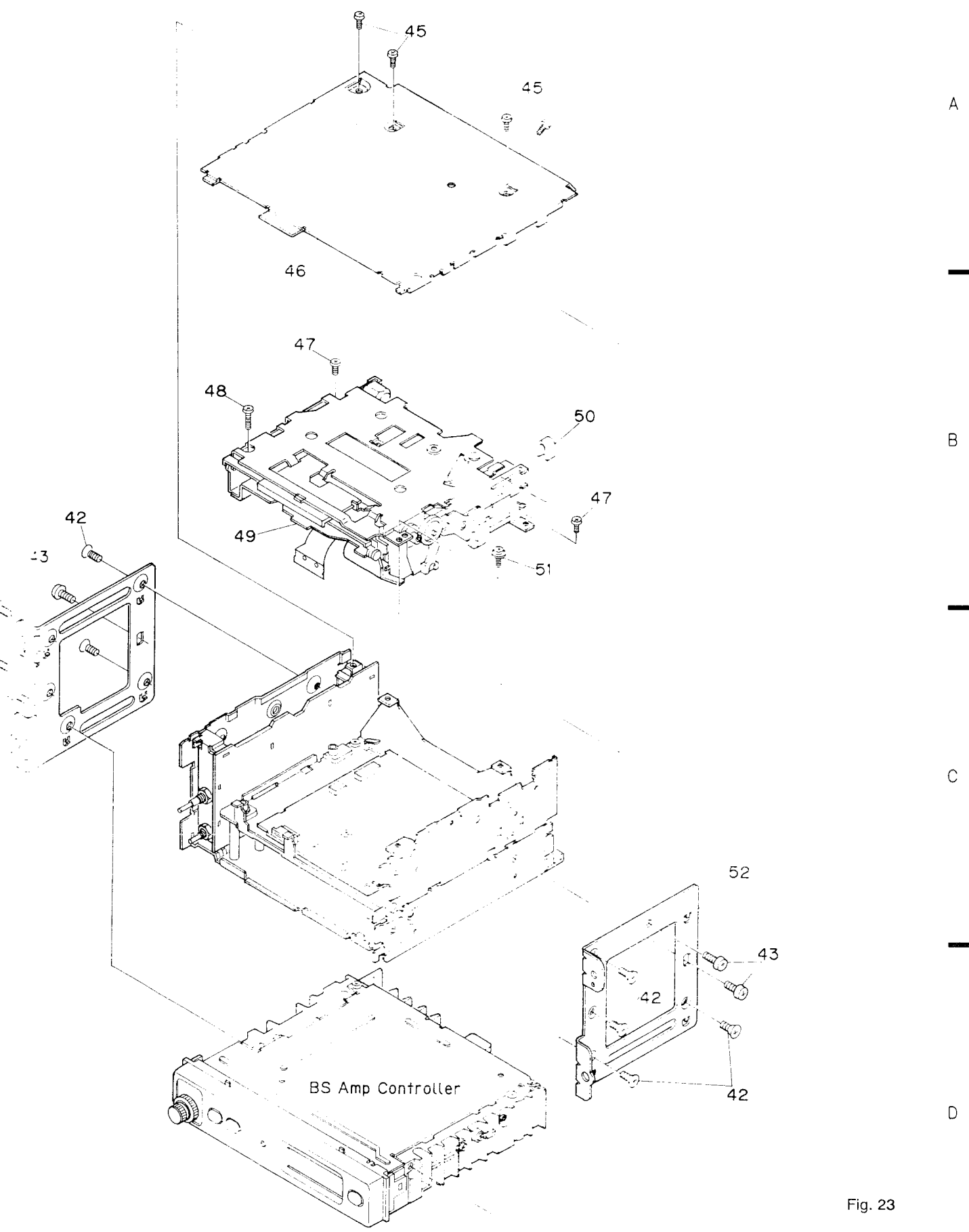
D



FH-50712M

4

5



A

B

C

D

Fig. 23

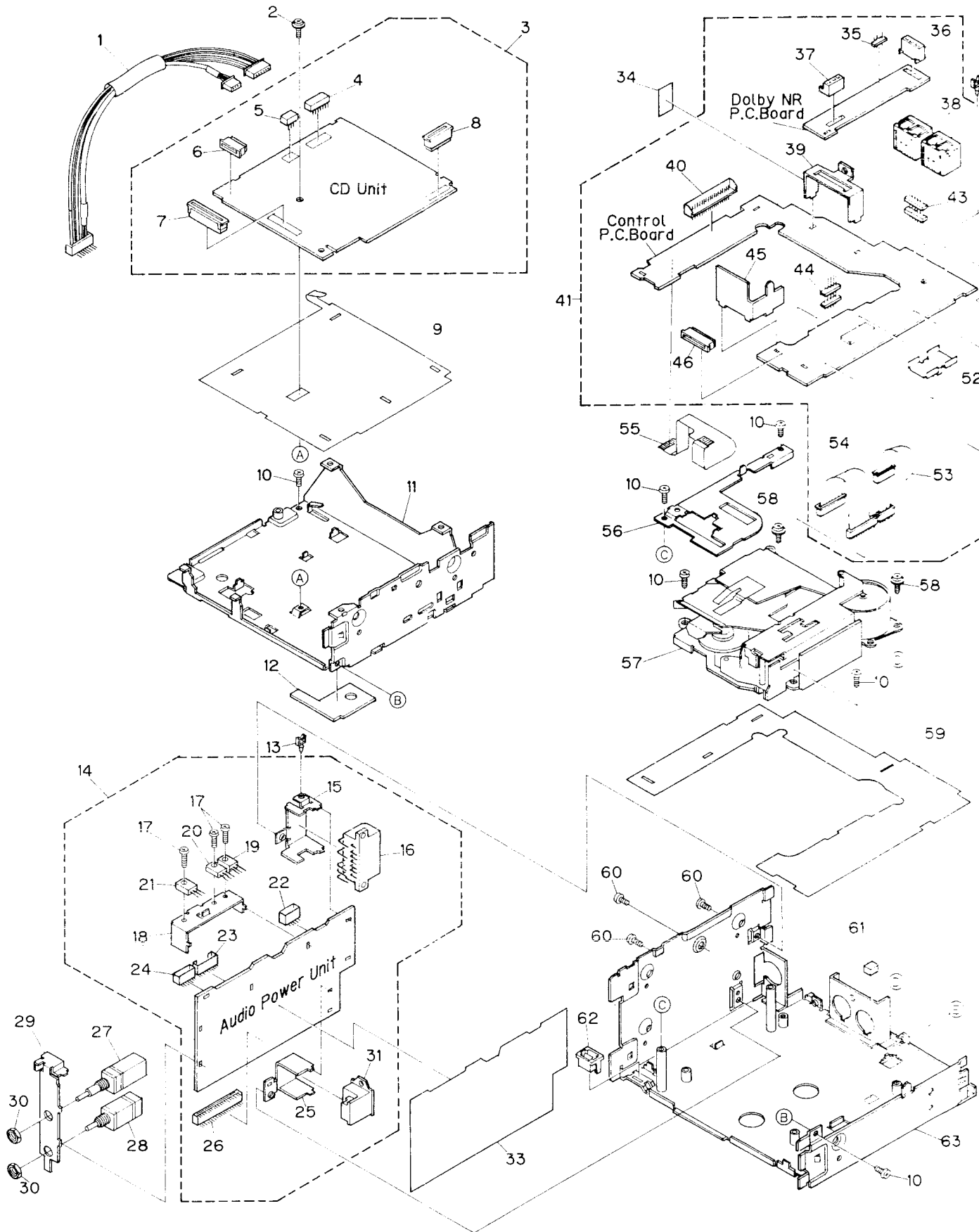
4

5

6

FH-5071ZM

13. CHASSIS EXPLODED VIEW (3)



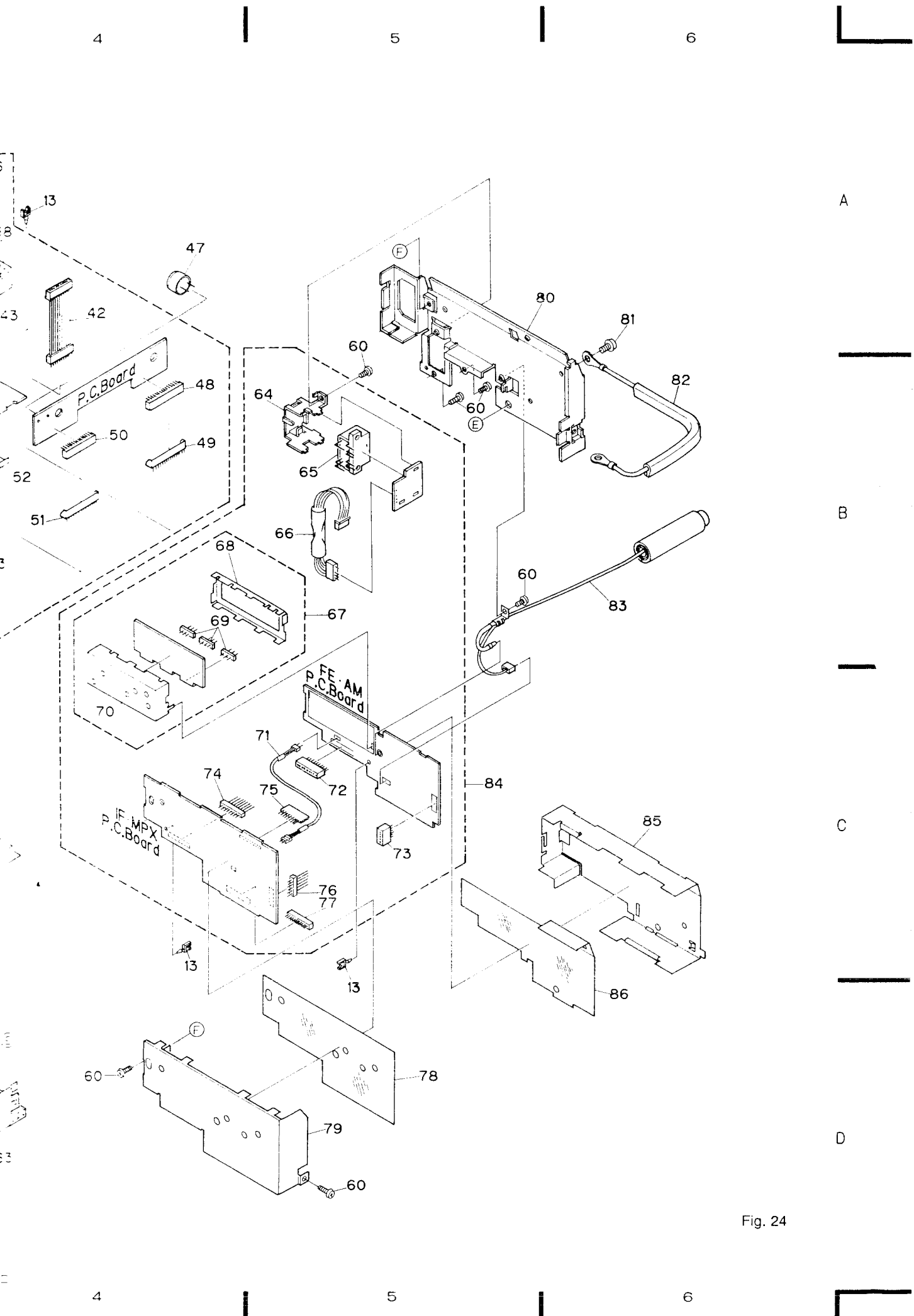


Fig. 24

1

2

3

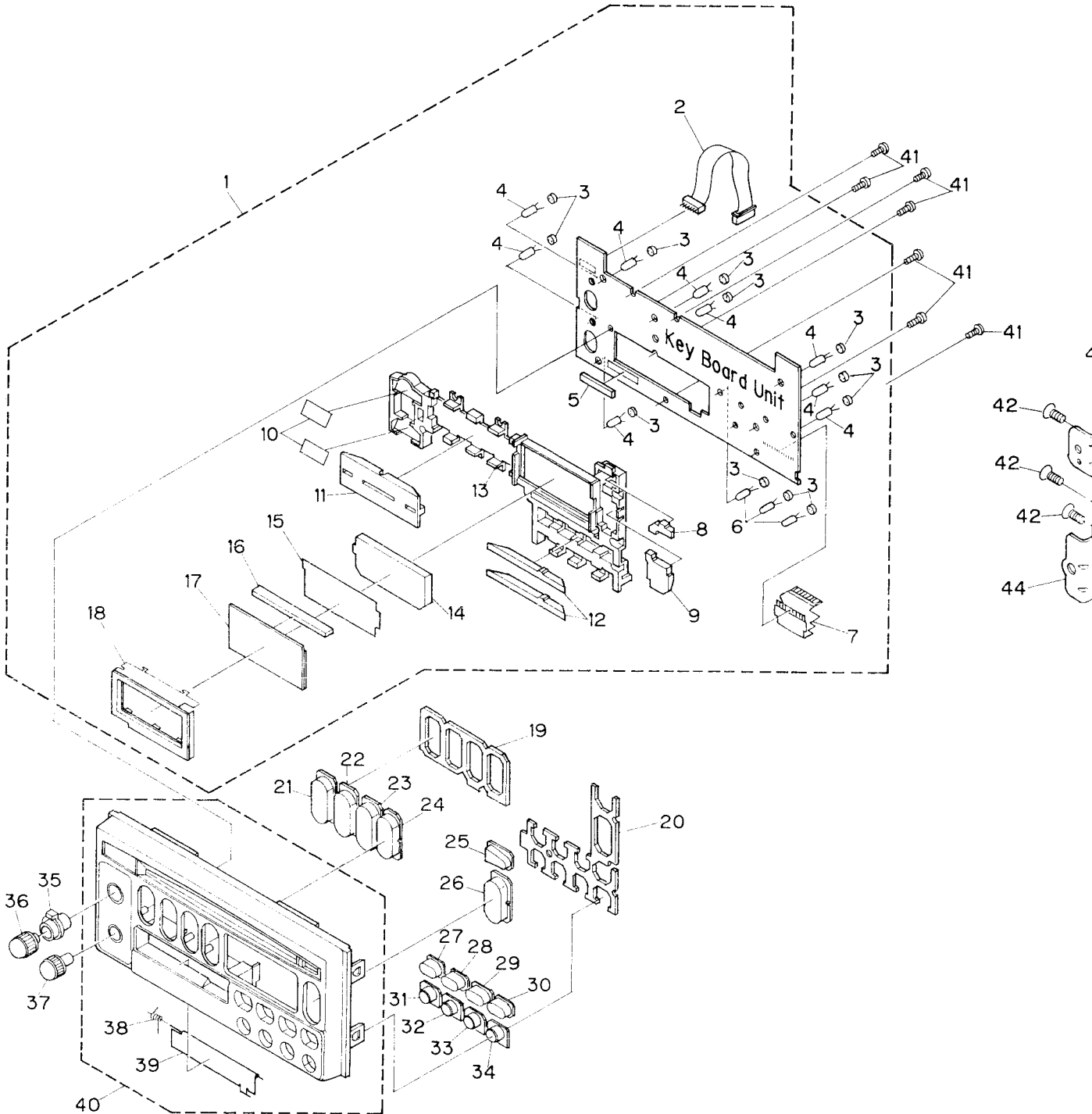
● Chassis (2)

A

B

C

D



1

2

3

37

FH-50712M

4

5

A

B

C

D

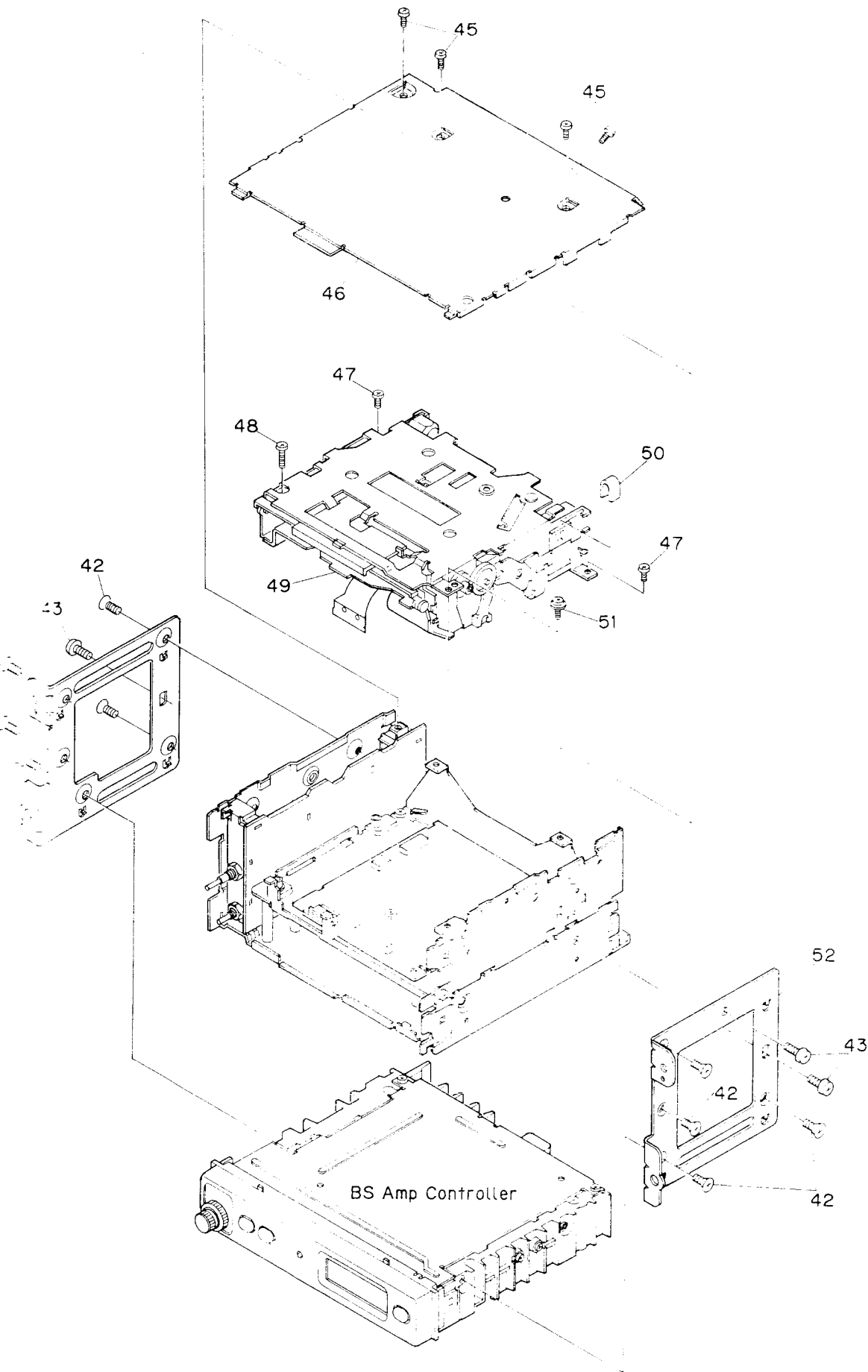


Fig. 23

4

5

6

● Parts List

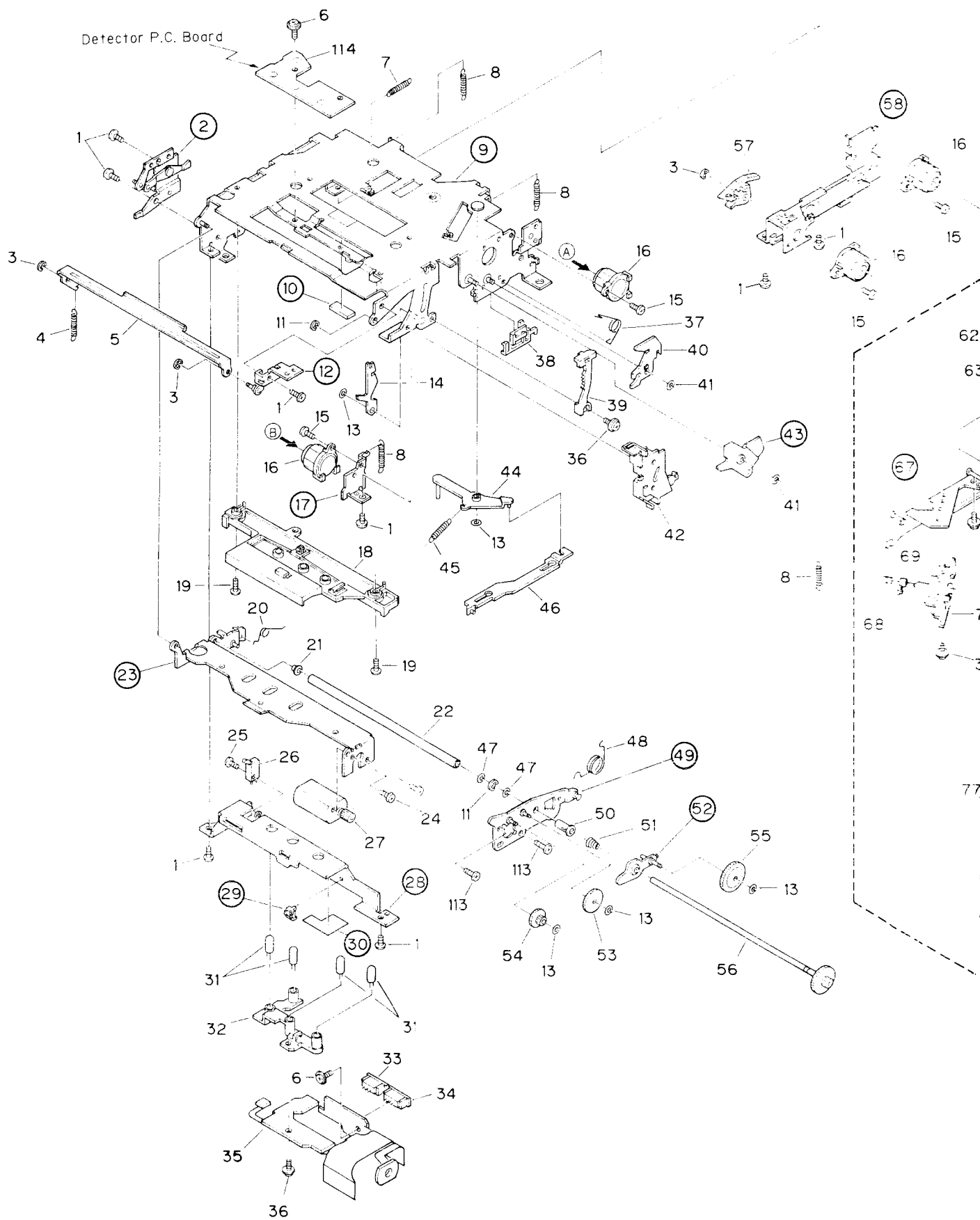
Mark No.	Description	Part No.	Mark No.	Description	Part No.
*	1 Connector	CDE2687		36 Connector	HKS-195
	2 Screw	PMS26P050FMC	*	37 Connector	HKS-194
⊙	3 CD Unit	CWX1231		38 Connector	CKS1507
	4 Plug	CKS-471	*	39 Bracket	CNC2082
	5 Plug	CKS-469	*	40 Plug	CKS-658
	6 Plug	CKS1169	⊙	41 Control Unit	CWM3246
	7 Plug	CKS1443	*	42 Connector	CDE1924
	8 Plug	CKS1436	*	43 Plug	CKS1515
*	9 Insulator	CNM2547	*	44 Plug	CKS1514
	10 Screw	BMZ26P050FMC	*	45 Bracket	CNC2115
*	11 Chassis	CNA1275		46 Connector	CKS1175
*	12 Spacer	CNM2016		47 Buzzer (BZ801)	CPV1005
	13 Clamper	CNV1335	*	48 Connector	CKS-674
⊙	14 Audio Power Unit	CWM3416	*	49 Plug	CKS-655
*	15 Bracket	CNC3018	*	50 Plug	CKS-672
	16 Plug	CKM1036	*	51 Plug	CKS-653
	17 Screw	BMZ30P060FMC	*	52 Heat Sink	CNG-368
*	18 Bracket	CNC3019	*	53 Connector	CDE2077
	19 Transistor(Q206)	2SC3421	*	54 Connector	CDE2078
	20 Transistor(Q205)	2SA1358		55 P. C. Board	CNP1968
	21 IC(IC205)	AN7805R	*	56 Bracket	CNC2083
*	22 Plug	CKS2082	⊙	57 Cassette Mechanim Assy	CXK1695
*	23 Plug	CKS-771		58 Screw	PMF26P050FMC
*	24 Plug	CKS2080	*	59 Insulator	CNM1893
*	25 Bracket	CNC2081		60 Screw	BMZ30P050FMC
	26 Connector	CKS-677	*	61 Spacer	CNM2251
	27 Volume (VR2)	CCS1205		62 Guide	CNV1823
	28 Volume (VR1)	CCS1211	*	63 Chassis	CNA1224
	29 Bracket	CNC2084	*	64 Bracket	CNC2079
	30 Nut	NK70FMC		65 Plug	CKM1035
	31 Connector	CKS1513	*	66 Connector	CDE1928
	32			67 FM Front End	CWB1005
	33 Insulator	CNM1894	*	68 Case	CNG-082
*	34 Insulator	CNM1895		69 Plug	CKS-601
	35 Plug	CKS-092			

FH-5071ZM

Mark No.	Description	Part No.	Mark No.	Description	Part No.
*	70 Case	CNG-083	*	80 Case	CNB1197
*	71 Connector	CDE1925		81 Screw	BMZ50P060FMC
*	72 Plug	CKS1485		82 Cord	CDE1713
*	73 Plug	CKS1482		83 Antenna Cable	CDH1160
*	74 Plug	CKS1593	●	84 Tuner Unit	CWE1286
	75 IC(IC133)	KHA505A	*	85 Case	CNC2116
*	76 Plug	CKS1516	*	86 Insulator	CNM1896
*	77 Plug	CKS2081			
*	78 Insulator	CNM1897			
*	79 Case	CNC2117			

FH-5071ZM

14. CD MECHANISM UNIT EXPLODED VIEW



4

5

6

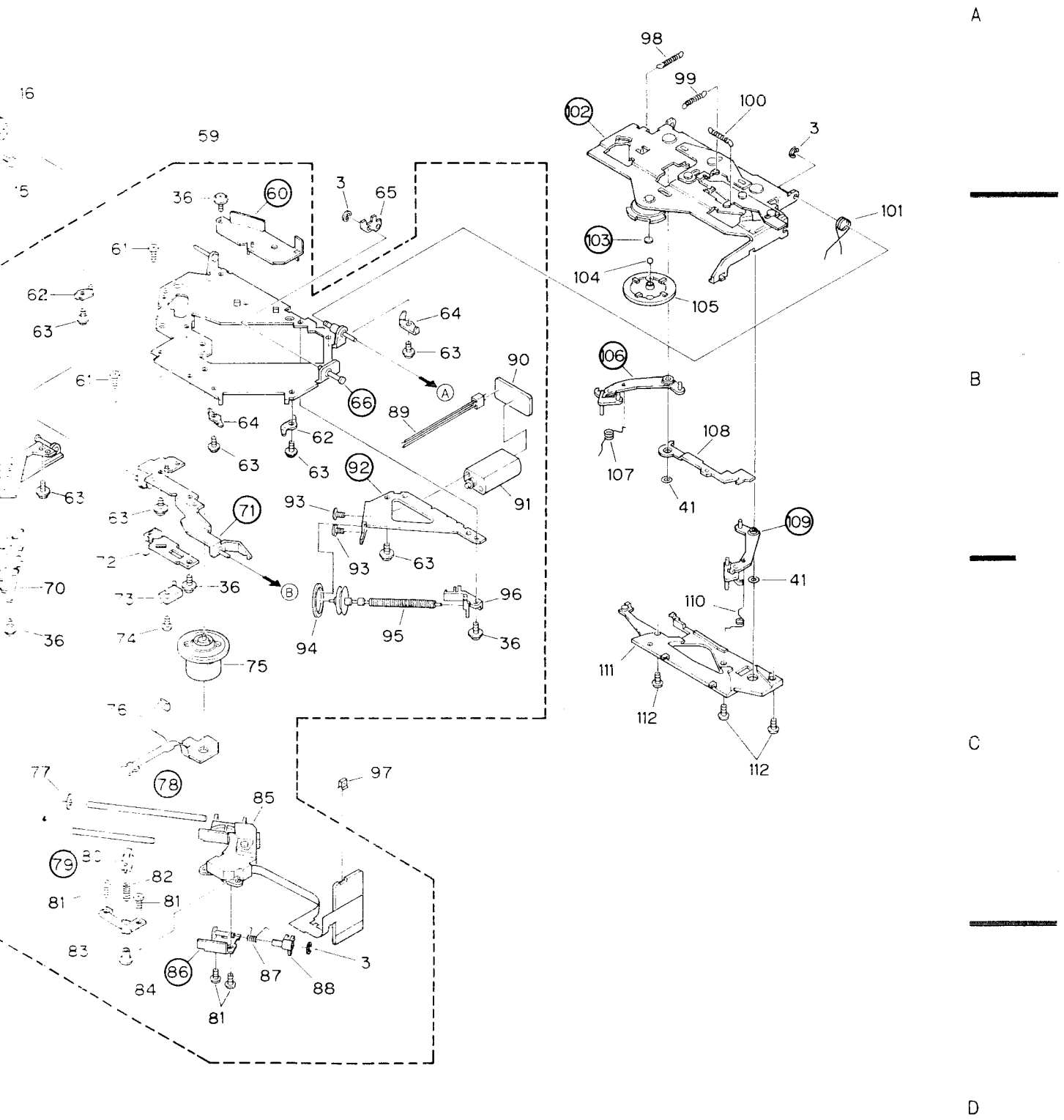


Fig. 25

4

5

6

● Parts List

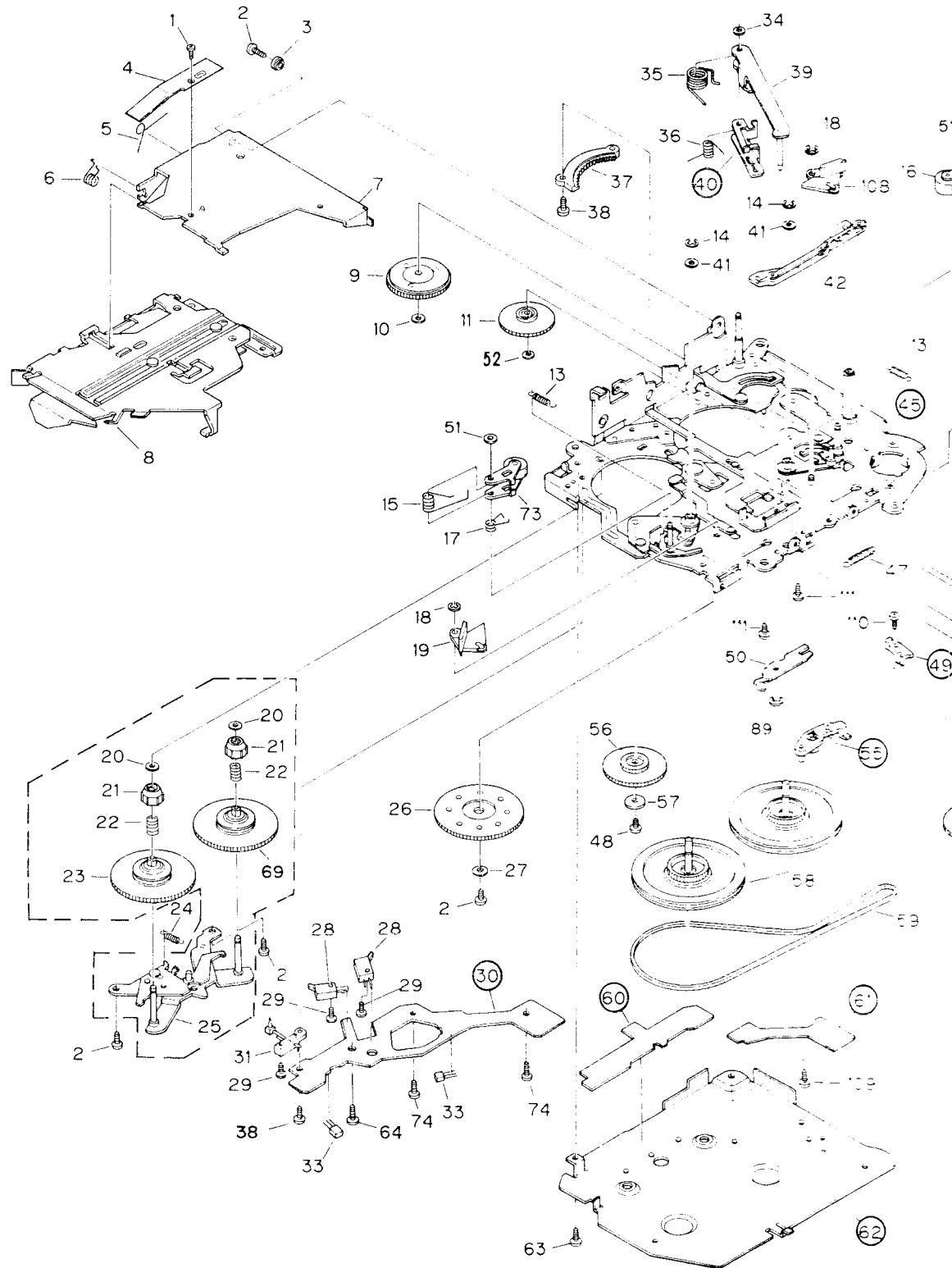
Mark No.	Description	Part No.	Mark No.	Description	Part No.
1	Screw	BMZ26P030FMC	36	Screw	CBA1075
2	Bracket Unit	CXA3469	37	Spring	CBH1336
3	Washer	YE15FUC	38	Holder	CNV1633
4	Spring	CBH1137	39	Gear	CNV2302
5	Arm	CNC2858	40	Arm	CNV2451
6	Screw	CBA1076	41	Washer	CBF1022
7	Spring	CBH1136	42	Cover	CNV2452
8	Spring	CBH1182	43	Arm Unit	CXA3393
9	Chassis Unit	CXA3392	44	Arm	CNV2506
10	Cushion	CNM2068	45	Spring	CBH1343
11	Washer	YE20FUC	46	Lever	CNV2505
12	Bracket Unit	CXA2986	47	Washer	HBF-126
13	Washer	CBF-166	48	Spring	CBH1133
14	Cam	CNV2535	49	Bracket Unit	CXA2982
15	Screw	CBA1118	50	Bearing	CNV2224
16	Damper Unit	CXA3339	51	Spring	CBH1181
17	Bracket	CNC1926	52	Arm Unit	CXA2994
18	Guide	CNV2221	53	Gear	CNV1628
19	Screw	CBA1131	54	Gear	CNV1627
20	Spring	CBH1299	55	Gear	CNV1629
21	Bearing	CNV1884	56	Gear Unit	CXA2990
22	Roller	CNV2225	57	Arm	CNV2510
23	Arm Unit	CXA2983	58	Bracket Unit	CXA2984
24	Screw	HBA-175	⑤ 59	Carriage Mechanism Unit	CXA3474
25	Screw	CBA1070			
26	Switch	CSN1020	60	Guide	CNV1782
27	Motor Unit	CXA2129	61	Screw	HBA-163
28	Bracket	CNC2859	62	Holder	CNC1738
29	Holder	CNV2511	63	Screw	PMS20P030FMC
30	Insulator	CNM2560	64	Holder	CNC1739
31	LED	SLR-981A	65	Arm Unit	CXA3441
32	Holder	CNV2226	66	Chassis Unit	CXA2991
33	Connector	CKS-719	67	Bracket Unit	CXA2992
34	Connector	CKS-721	68	Spring	CBH1104
35	P. C. Board	CNP2178	69	Spacer	CNV1844

FH-5071ZM

Mark No.	Description	Part No.	Mark No.	Description	Part No.
70	Holder	CNV2485	95	Screw Unit	CXA2375
71	Holder Unit	CXA2993	96	Holder	CNV1781
72	Holder	CNV2229	97	Short Pin	CBL1010
73	Switch	CSN1018	98	Spring	CBH1292
74	Screw	CBA1070	99	Spring	CBH1297
75	Motor Unit	CXM1054	100	Spring	CBH1296
76	P.C. Board	CNP2383	101	Spring	CBH1294
77	Cushion	CNV1863	102	Arm Unit	CXA3470
78	Shaft	CLA1197	103	Spacer	CNM1787
79	Shaft	CLA1196	104	Ball	CNR1079
80	Holder	CNV1512	105	Clamper	CNV2411
81	Screw	CBA1062	106	Arm Unit	CXA3471
82	Spring	CBH1105	107	Spring	CBH1295
83	Holder	CNC1736	108	Arm	CNV2228
84	Screw	CLA1319	109	Arm Unit	CXA3472
85	PU Unit	CGY1015	110	Spring	CBH1293
86	Holder Unit	CXA1860	111	Guide	CNV2223
87	Spring	CBH1106	112	Screw	CBA1084
88	Rack	CNV1513	113	Screw	BMZ20P030FMC
89	Connector	CDE2849	114	P.C. Board	CNP2367
90	P.C. Board	CNP2384			
91	Motor Unit	CXA3347			
92	Bracket	CNC3288			
93	Screw	CBA-098			
94	Belt	CNT1020			

FH-5071ZM

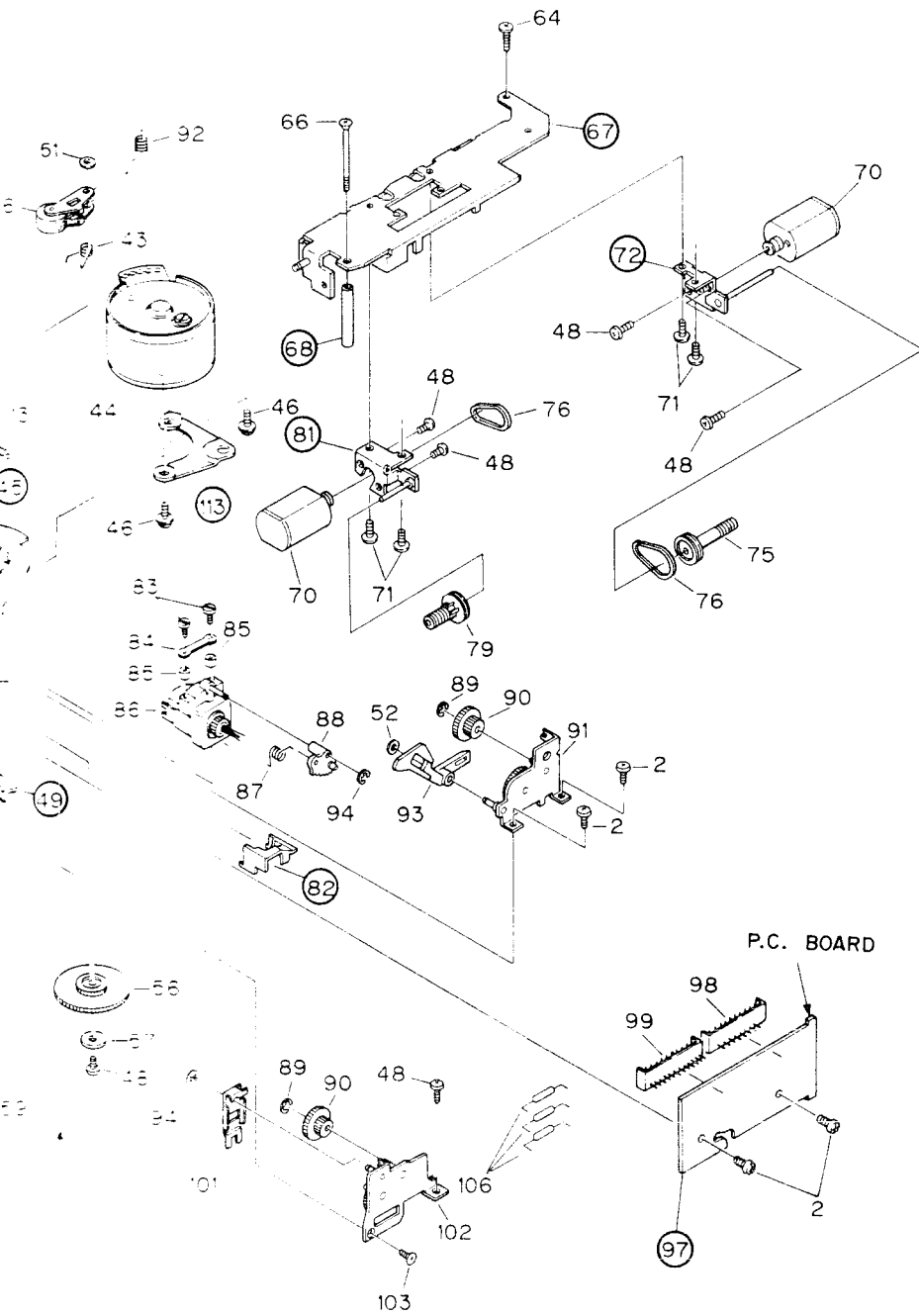
15. CASSETTE MECHANISM ASSY EXPLODED VIEW (X-0 Mechanism)



4

5

6



A

B

C

D

Fig. 26

4

5

6

● Parts List

Mark No.	Description	Parts No.	Mark No.	Description	Parts No.
1	Screw (M1.4×1.4)	HBA-147	36	Spring	CBH-886
2	Screw	BMZ20P040FMC	37	Gear	CNV1075
3	Bush	CLB-663	38	Screw (M2×5)	CBA1054
4	Spring	CBE1023	39	Arm Unit	CXD-389
5	Spring	CBH-867	40	Arm Unit	CNG-618
6	Spring	CBH-837	41	Washer	HBF-179
7	Arm	CNC2373	42	Lever	CNV1257
8	Holder Unit	CXA4526	43	Spring	CBH1196
9	Gear Unit	CXA2088	44	Moter (Capstan)	CXM1055
10	Washer	CBF1026	45	Chassis Unit	CXA2808
11	Gear	CNY-271	46	Screw	PMS26P035FMC
12	Reel Unit	CXA4025	47	Spring	CBH-830
13	Spring	CBH-835	48	Screw (M2×2.5)	HBA-175
14	Washer	CBG1003	49	Spacer	CNW-945
15	Spring	CBH1277	50	Spring	CBL1050
16	Pinch Roller Unit	CXA2608	51	Washer	CBF1025
17	Spring	CBH1197	52	Washer	CBF-126
18	Washer	YE25FUC	53	
19	Arm	CNV1254	54	
20	Washer	CBF1022	55	Clamper	CNV1079
21	Collar	CNW-932	56	Gear	CNV1616
22	Spring	CBH-827	57	Coller	CLA1238
23	Reel Unit	CXA4024	58	Flywheel	CNV1572
24	Spring	CBH-868	59	Belt	CNT1046
25	Bracket Unit	CXA1481	60	Insulator	CNN-332
26	F/R Gear	CNW-944	61	Insulator	CNN-333
27	Collar	CLA1109	62	Cover	CNG-625
28	Switch (70 μS, CST IN)	CSN1023	63	Screw	BMZ20P030FMC
29	Screw (M1.7×5.5)	CBA1025	64	Screw (M1.7×6.0)	CBA1125
30	P. C. Board	CNL-745	65	
31	Switch (CST SET)	CSN-089	66	Screw (M2×25)	CBA-165
32		67	Guide	CNC2219
33	Magnetic Resistive	DM-106B	68	Spacer	CNC1651
34	Washer	CBF-046	69	Reel Unit	CXA4023
35	Spring	CBH-887	70	Motor Unit (FF/REW, Head)	CXA3596



Mark No.	Description	Parts No.	Mark No.	Description	Parts No.
71	Screw	HBA-174	91	Holder Assy	CXA5014
72	Bracket Unit	CXA2605	92	Spring	CBH1276
73	Pinch Roller Unit	CXA2609	93	Arm	CNV1495
74	Screw (M2×2.5)	CBA1037	94	Washer	YE15FUC
75	Pulley	CNV1255	95	
76	Belt	CNT1047	96	
77		97	P. C. Board	CNP2155
78		98	Connector (8P)	CKS1055
79	Pulley	CNV1256	99	Connector (12P)	CKS1059
80		100	
81	Bracket Unit	CXA2606	101	Arm	CNH-004
82	Cover	CNV1489	102	Holder Assy	CXA5013
83	Screw (M1.4×8)	CBA1169	103	Screw (M2×2)	HBA-209
84	Spring	CBE-114	104	
85	Azimuth Rubber	CNY-134	105	
86	Head Unit	CXA2462	106	Diode	1S1555
87	Spring	CBH-829	107	
88	Gear	CNW-939	108	Arm	CNV1253
89	Washer	YE12FUC	109	Screw (M2×7)	CBA1060
90	Gear	CNV1262	110	screw (M2×4)	CBA1015
			111	Screw (M2×2.5)	CBA1041
			112	
			113	Bracket	CNC2324

FH-5071ZM

16. ELECTRICAL PARTS LIST

NOTE:

- Parts whose parts numbers are omitted are subject to being not supplied.
- The part numbers shown below indicate chip components.

Chip Resistor

RS1/□S□□□□J,RS1/□□S□□□J

Chip Capacitor (except for CQS.....)
 CKS....., CCS....., CSZS.....

Tuner Unit
Consists of Connector P.C.Board FE-AM P.C.Board IF-MPX P.C.Board

Unit Number :
 Unit Name : Tuner Unit

MISCELLANEOUS

====Circuit Symbol & No. Part	Name=====	Part No.
IC 101	LA1137N	
IC 132	KHA141A	
IC 133	KHA505A	
IC 134	LA2110	
IC 135	LA3430P	
IC 136	TA75558S	
IC 137	LC7218HS	
Q 101	2SK435	
Q 102 135 138	2SC1740S	
Q 103 104 131 133 134	XDC124ES	
Q 132 143 144	XDA114ES	
Q 136	2SJ105	
Q 137 140	2SC3113	
Q 139	2SK330	
Q 141 142	2SA1150	
D 101 102 103 104 105 132 133 135 136 137	1SS133	
D 106	KV1280F1-2	
D 131	1SV99	
D 134	RD3R0ESB2	
D 138 139 140	1SS133	
D 141	RD5R1JSB2	
L 101	Ferri-Inductor	CTF-157
L 131 132 133 134	Ferri-Inductor	LAU150K
T 101	Coil	CTB-149
T 102	Coil	CTB-171
T 103	Coil	CTB1025
T 104	Coil	CTB1026
T 105	Coil	CTE1017
T 106	Coil	CTE1018
T 107	Coil	CTB1024
T 131	Transformer	CTC-195
T 132	Coil	CTC1029
CG 131	Surge Protector	DSP-301NS00B
CF 101	Filter	CTF-100
CF 102	Ceramic Resonator	CTF1039
CF 131	Ceramic Filter	CTF-182
CR 133		CWW-107
X 131	Crystal Resonator	CSS1030
X 132	Ceramic Resonator	CSS1022
VR 101	Semi-fixed 1kΩ (B)	VRTB4VS102

====Circuit Symbol & No. Part	Name=====	Part No.
VR 131 132 134	Semi-fixed 22kΩ (B)	VRTB4VS223
VR 133	Semi-fixed 10kΩ (B)	VRTB4VS103
	FM Front End	CWB1005

RESISTORS

R 101	RD1/4PS152JL
R 102 107 113 114 120 149 150	RS1/10S103J
R 103 133	RS1/10S471J
R 104 154	RS1/10S682J
R 105 135	RS1/10S330J
R 106	RS1/10S220J
R 108	RS1/10S394J
R 109 176 177 185 186 187 188 189	RS1/10S222J
R 110 146 160 161 162 178 183	RS1/10S472J
R 111	RS1/10S153J
R 112	RS1/10S333J
R 115	RS1/10S513J
R 116 167 168	RS1/10S101J
R 117	RD1/4PS562JL
R 118 119 145 170 171 172 173	RS1/10S104J
R 131	RS1/10S681J
R 132	RS1/8S4R7J
R 134	RS1/8S223J
R 139 158 180 181	RS1/10S102J
R 140	RD1/4PS331JL
R 141	RD1/4PS183JL
R 142	RD1/4PS682JL
R 143	RD1/4PS392JL
R 144	RD1/4PS472JL
R 147	RS1/10S474J
R 148	RD1/4PS223JL
R 151	RS1/10S183J
R 152 182	RD1/4PS222JL
R 153	RS1/10S392J
R 155	RS1/10S563J
R 156	RS1/10S393J
R 157 159	RS1/10S473J
R 163 164	RS1/10S332J
R 165 166	RD1/4PS333JL
R 169	RS1/10S334J
R 174 175	RS1/10S223J
R 179	RS1/10S152J
R 184	RD1/4PS103JL
R 190	RD1/4PS104JL
R 191 192	RD1/4PS224JL
R 193	RS1/10S0R0J

CAPACITORS

C 101 104 108 109 110 116 117 123 139 140	CKSQYB223K25
C 102 111 113	CCSQCH100D50
C 103	CKSYB223K25
C 105 126	CCSQCH220J50
C 106 147	CEA101M10LS

Circuit	Symbol & No.	Part	Name	Part No.	Circuit	Symbol & No.	Part	Name	Part No.	
107	115 142 143 168 180			CEA010M50LS2	R 209	210 234			RS1/10S472J	
112				CCSQCH010C50	R 211	233			RS1/10S392J	
114	118			CKSYB333K25	R 212				RS1/8S472J	
119				CKSYB104K25	R 213	214 215 216 237			RS1/10S333J	
120				CEA4R7M35LS	R 221	222			RS1/10S182J	
121	165			CEA3R3M50LS	R 225	226 227 228 241 242			RS1/10S101J	
122				CEAR47M50LS2	R 229	230 231 232 243 244			RS1/10S223J	
124				CQPAH751G2A	R 235	236 239			RS1/10S103J	
125				CCSQCH390J50	R 238				RS1/8S333J	
127				CQPAH101G2A	R 240	258			RS1/8S103J	
128	133 137 144 150 151 154 170 172			CKSQYB103K50	R 245				RD1/4PS221JL	
129	153 161			CEA470M16LS	R 246				RD1/4PS561JL	
130				CCSQSL270J50	R 248	249			RS1/8S152J	
131	156 177			CKSQYB222K50	R 250				RD1/2VS102JL	
132	171 179			CEA100M25LS	R 251				RS1/8S223J	
138				CKSQYB123K50	R 252				RS1/8S102J	
141				CCSQCH180J50	R 253	254			RD1/4PS101JL	
145				CEA4R7M16NPLL	R 255				RS1/10S223J	
146				CASA330K16	R 256				RD1/4PS223JL	
148				CEA2R2M50LS2	R 257				RD1/4PS103JL	
149				CKSYB473K25	R 259				RS1/10S0R0J	
152				CKSQYB182K50	R 262				RD1/4PS223JL	
155	159 160			CKSQYB332K50	R 263				RD1/2PS681JL	
157	158			CKSQYB183K25	R 265				RD1/2PS271JL	
162				CKSQYB102K50	R 266		Fuse Resistor		CCN1064	
163	164			CEAR22M50LS2	CAPACITORS					
166	178 181			CKSQYB223K25	C 201	202 203 204			CEA100M16LS2	
167				CSZAR22K35	C 205	206			CEA2R2M50LS2	
169		4.7 μ F/16V		CCH1005	C 207				CKSYF105Z25	
173	174			CCSQCH101J50	C 208	222 227			CEAS101M10	
175	176			CCSQCH270J50	C 209				CEAR22M50LS2	
					C 210				CEAR22M50LS2	
					C 213	214 234			CEAS010M50	
					C 215	216			CEA010M50LS2	
					C 217	218 223 224 225 226			CEA4R7M35LS	
					C 219	220			CEAS4R7M35	
					C 221	244			CEA101M10LS	
					C 228				CKSQYB223K25	
					C 229	232			CEAS221M10	
					C 230				CKSQYB153K50	
					C 231	238			CEAS470M25	
					C 233	237			CKSYB473K25	
					C 236				CEAS100M50	
					C 240	241 242 247		1000 μ F/16V	CCH1003	
					C 243			2200 μ F/16V	CCH-123	
					Unit Number :					
					Unit Name : Key Board Unit					
					IC 901				LC7582ASP	
					Q 901				DTC144TF	
					D 901	902		LED	AA5553K	
					IL 901	902 903		Lamp 60mA 8V	CEL1292	
					IL 904	905 906 907		908 Lamp 65mA 14V	CEL1302	
					IL 909	910 911 912		Lamp 65mA 14V	CEL1302	
					S 901	902 903 904		905906 907 908	Switch CSG-253	
					S 909	910 911 912		913914 915 916	Switch CSG-253	
					S 917	918 919		Switch	CSG-253	
								LCD	CWW1173	
					R 901				RD1/4PS104JL	
					R 902				RN1P1R5JL	
					C 901				CKPYB331K50L	
					C 902				CKPYF223Z25L	
					RS1/10S393J					
					RD1/4PS222JL					
					RS1/10S102J					
					RS1/10S222J					
					RS1/10S472J					

-----Circuit Symbol & No. Part	Name-----	Part No.	-----Circuit Symbol & No. Part	Name-----	Part No.
<div style="border: 1px solid black; padding: 5px; width: fit-content;"> Amp Unit Consists of Amp P.C.Board Grille P.C.Board </div>			R 473 474 481 482 485 486 488 489 490 491		RS1/10S472J
			R 475 476		RD1/4PS562JL
			R 477 478 499 500 520		RS1/10S563J
			R 479 480		RS1/10S103J
			R 483 484 501 502		RS1/10S822J
			R 487 510 535 536 543 544 613 614 617 618		RS1/10S473J
			R 492 505 506 539 572 621 622 629		RS1/10S472J
			R 493 494		RS1/10S182J
			R 495 496		RD1/4PS152JL
			R 497 498		RS1/10S682J
			R 503 504 609 610		RD1/4PS122JL
			R 507 508 595 650		RD1/4PS472JL
			R 509		RD1/4PS202JL
			R 517		RS1/10S363J
			R 519		RD1/4PS623JL
			R 521		RS1/10S394J
			R 522 637		RS1/10S223J
			R 523 525 526		RS1/10S124J
			R 527		RD1/4PS102JL
			R 529 646 647		RS1/10S203J
			R 530		RS1/10S122J
			R 531 532		RS1/10S391J
			R 545 547 551 552 553 554 649		RD1/4PS221JL
			R 546 599 605		RD1/4PS561JL
			R 555 556 557 558 582		RD1/4PS222JL
			R 559 560 567 568		RD1/4PS822JL
			R 561 562 583		RS1/10S202J
			R 563 564 615 616		RD1/4PS332JL
			R 565 566 611 612		RS1/10S332J
			R 569 570		RS1/10S153J
			R 573 574 575 576 577 578 579 580 587 588		RS1/8S2R2J
			R 581		RS1/10S221J
			R 584 623 626 627 628 632 639 640		RS1/10S103J
			R 589 590		RS1/8S2R2J
			R 594 597 598 901		RD1/4PS103JL
			R 596		RD1/4PS223JL
			R 606		RD1/4PS752JL
			R 625		RS1/10S563J
			R 630		RS1/10S472J
			R 631		RS1/10S104J
			R 633 643 644 906 908 910 912 913		RS1/10S473J
			R 634		RS1/10S684J
			R 635		RS1/10S151J
			R 636		RS1/10S683J
			R 641 642		RS1/10S562J
			R 648		RD1/4PS153JL
			R 651		RS1/10S223J
			R 652		RD1/4PS561JL
			R 653 654		RS1/10S103J
			R 902 914 915		RS1/10S151J
			R 903		RS1/10S105J
			R 904		RS1/10S104J
			R 905 907 909 911		RS1/10S222J
			R 916		RS1/10S101J
MISCELLANEOUS			CAPACITORS		
IC 451		TA8181SN	C 451 452 455 457 458 469 470 522 523 591		CEAS4R7M35
IC 452		NJM4151D	C 461		CEAS3R3M50
IC 453 454 457 460 461 462 463 551		NJM2068S	C 463 536 570 611 622		CEAS100M16
IC 455		TC4066BP	C 465 466 467 468 481 482 555 556		CEAS010M50
IC 456		M5243P-09	C 471 472		CQMA822J50
IC 458		CWW1085	C 473 474		CKCYB681K50
IC 459		M5222L	C 479 480 515 516		CCSQCH101J50
IC 464		M5237L	C 487 488 537 538 539 540 541 542		CEA4R7M16NPLL
IC 552		PA3027A	C 489 490		CEA0R1M50NPLL
IC 553		HA13139	C 491 492		CQEA274J63
IC 901		TC4069UBF			
IC 902		TC4054BF			
Q 451 452 557 558 563 567 568		UN4212			
Q 455 456 457 458		2SC4038LN			
Q 551 552 553 554 564		DTC343TL			
Q 555		2SC2458			
Q 556 560		2SC2459			
Q 559		2SA1358			
Q 561		2SB1144			
Q 562		2SD1267			
Q 570		2SA1561			
Q 571		2SB1243			
Q 572		2SC2458			
D 551		SM-3-02			
D 552		RD8R2JSB2			
D 553		RD7R5JSB2			
D 554		RD9R1JSB1			
D 555 559 902		1SS133			
D 556		RD7R5JSB3			
D 558		RD4R3ESB1			
D 560		1SS133			
D 903	LED	HLMP-8305			
L 551	Choke Coil	CTH1075			
L 552	Choke Coil	CTH1020			
VR501/SW501	Volume/Switch 50kΩ(B),20kΩ(B)	CCS1202			
VR 502	Semi-fixed 4.7kΩ(B)	VRTB4VS472			
FU 551	Fuse Resistor	CCN1062			
IL 1 2 3 4	Lamp 65mA 14V	CEL1302			
IL 5	Lamp 100mA 8V	CEL1287			
SW 1 2 3	Switch	CSG-248			
	LCD	CAW1185			
RESISTORS					
R 450 513 514 516 528 591 592 593		RD1/4PS103JL			
R 451 452 471 472 645		RS1/10S102J			
R 453 454		RS1/10S102J			
R 455 456 457 458		RS1/10S472J			
R 459 460 461 534 540 541		RD1/4PS473JL			
R 462		RD1/4PS202JL			
R 463 464 537 538 638		RS1/10S333J			
R 465 466		RD1/4PS682JL			
R 467 468		RS1/10S472J			
R 469 470		RD1/4PS272JL			

FH-5071ZM

====Circuit Symbol & No. Part	Name=====	Part No.	====Circuit Symbol & No. Part	Name=====	Part No.
C 493 494		CQMA123J50	TC 801	Trimmer	CCG-070
C 495 496		CQMA124J50	CR 871		CWW1087
C 497 498 499 500		CQMA153J50	IB 801 802 803		CWW1048
C 503 504 511 512		CQMA473J50	X 801	Crystal Resonator	CSS1023
C 507 508		CKSYB393K25	VR 871 872	Semi-fixed 470Ω(B)	VRTB4VS471
			RESISTORS		
C 517 518		CKCYB101K50	R 801 805 809 810 811 812 846 847 848 849		RS1/10S472J
C 519 520		CEAS4R7M35	R 802		RS1/10S392J
C 525		CKSQYB473K16	R 803		RS1/10S684J
C 526 527 571 572 573 574 575 576 577 578		CKSQYF104Z25	R 804		RS1/10S562J
C 528		CKSQYB223K50	R 806 807 808 814 828 881 882		RS1/10S473J
C 529 530 531 532 533 645		CEAS101M10	R 813 815 816		RD1/4PS473JL
C 534		CKSQYB563K25	R 817 830		RD1/4PS104JL
C 535		CKSQYB332K50	R 818 819 820 825		RS1/10S681J
C 553 554		CEASR47M50	R 821 822 823 824		RS1/10S682J
C 561 562 588 590 595		CKSQYB222K50	R 826 827 831 839 841 842		RS1/10S103J
C 563 564		CKSYB153K50	R 829 837 844 845		RS1/10S223J
C 565 566 567 568		CQEA334J63	R 832		RS1P561JL
C 569		CEAS470M10	R 833		RS1/8S223J
C 587 589		CEAS102M16	R 834		RS1/8S222J
C 596	2200 μF/16V	CCH1012	R 835 855 879 883 884		RD1/4PS102JL
C 597	2200 μF/16V	CCH-123	R 836 838		RD1/4PS561JL
C 599		CEAS100M16	R 840		RS1P101JL
C 601 602 603 604		CKSQYF104Z25	R 843		RS1/8S561J
C 610 616		CEAS010M50	R 850 851 852 853		RS1/10S472J
C 612 648		CEAS471M10	R 854		RD1/4PS332JL
C 614		CEA2R2M50NPLL	R 873		RD1/4PS101JL
C 615		CKSQYB273K50	R 874		RD1/4PS433JL
C 617 618 619		CEAS220M16	R 875 877		RD1/4PS103JL
C 620		CEA4R7M16NPLL	R 876 878		RD1/4PS223JL
C 641 642		CKSQYB682K50	R 885 886		RD1/4PS821JL
C 643 644		CEA4R7M16NPLL	CAPACITORS		
C 705		CKDYB222K50	C 801 802 818 820 822 825		CEA220M16LS
C 711 712		CKDYB101K50	C 803 830		CEA101M16LL
C 901		CEA010M50LL	C 804		CKSQYB223K25
C 902 904		CKSQYB103K50	C 805 806 807 808 809 810		CKSYF473Z50
C 903 905		CKSQYB473K16	C 811 814		CCSQCH330J50
			C 812		CKSQYB392K50
			C 813 829		CKSYF104Z25
			C 815		CEA470M16LS
			C 816 831		CKSQYF473Z25
			C 817 819 821 824 826 827		CKSQYB223K25
			C 823		CEA010M50LS2
			C 828 883 884		CEAR68M50LS2
			C 871 872		CKSQYB561K50
			C 873 874		CEANL4R7M35LL
			C 875 876		CEAS470M16
			C 878 882 887		CEA101M10LS
			C 879 880		CEA010M50NPLL
			C 881		CEAR15M50LS2
			C 885 886		CEA4R7M35LS
			Unit Number :		
			Unit Name : CD Unit		
			MISCELLANEOUS		
			IC 351		CXA1081M
			IC 601		CXA1082BQ
			IC 655 657 661 662 706 707		M5218FP
			IC 663 664		LA6515
			IC 666 667 668 669		LA6501-FA
			IC 701		CXD1135Q
			IC 702		LH5116HN-10T
			IC 703		SM5807ES-M
			IC 704		LC7881MBM
			IC 705		UPC358G2

Control Unit
Consists of Control P.C.Board Dolby NR P.C.Board P.C.Board

Unit Number :
Unit Name : Control Unit

MISCELLANEOUS

IC 801	PD4155D
IC 802	PA3022
IC 803	M51953BL
IC 804	M51957BL
IC 871	M51522AL
IC 872	CXA1102P
Q 801 802 813	2SC2712
Q 803 805	2SC1740S
Q 804 806 809 871 872 873	XDC124ES
Q 807	2SA1358
Q 808	2SD1640
Q 810 811	2SD1864
Q 812 874	2SA1048
D 801 802 803 804 805 809 810 813 815 819	1SS133
D 806 808	RD6R8JSB3
D 807	RD22JSB1
D 811 814	RD6R2JSB2
D 812	RD7R5JSB2
D 820 821 822 871	1SS133
L 801 802	LAU150K

====Circuit Symbol & No. Part	Name=====	Part No.	====Circuit Symbol & No. Part	Name=====	Part No.
IC 751		PD4253	R 621		RS1/10S184J
IC 754		M54546AL	R 622 670 755 768		RS1/10S103J
Q 351		2SB1243	R 624 666		RS1/10S393J
Q 352 705 760		UN2211	R 627 725 726 773 780		RS1/10S104J
Q 601 701		UN2211	R 634		RS1/10S474J
Q 602 603 707 708		2SD1048	R 635		RS1/10S752J
Q 651		2SC3474	R 641		RS1/10S113J
Q 652 759		UN2111	R 661 664 679		RD1/4PS103JL
Q 653		2SC2712	R 662 675 678 680 688 689 692 703 751 752		RS1/10S103J
Q 702 706		UN2111	R 668		RS1/10S183J
Q 703 704		UN2215	R 672		RS1/10S364J
Q 758		2SD1859	R 674		RS1/10S133J
D 652		HZS11JB1	R 676 677		RD1/4PS201JL
D 653		RB100AVH	R 681 682		RD1/4PS2R2JL
D 661 662		HZS2ALL	R 686 698		RS1/10S223J
D 701 703		MA151WA-MN	R 694		RS1/10S822J
D 702		MA151WA-MN	R 697		RS1/10S473J
D 755		HZS6R8JB3	R 704 729 745 746		RS1/10S472J
D 761		ERA15-02VH	R 706		RS1/10S0R0J
TH 351	Thermister	CCX1001	R 711 712 719 720		RS1/10S511J
TH 751	Thermister	CCX-021	R 713 714		RS1/10S181J
X 701	Crystal Resonator	CSS1052	R 715 716		RS1/10S244J
X 751	Ceramic Resonator	CSS-042	R 717 718		RS1/10S102J
VR 351	Semi-fixed	CCP1005	R 721 722 786		RS1/10S822J
VR 352	Semi-fixed	CCP1006	R 730		RS1/10S682J
VR 604	Semi-fixed2.2kΩ (B)	CCP1015	R 731 732 733 734 735 736		RN1/10SE472D
VR 651	Semi-fixed47kΩ (B)	CCP1023	R 737 738		RN1/10SE472D
			R 743 775 792		RS1/10S222J
			R 747		RS1/10S391J
			R 748 753 754 756 766 767 779		RS1/10S681J
			R 772 793		RD1/4PS333JL
			R 789		RS1/10S821J
			R 791		RD1/4PS104JL
			R 798 799		RS1/10S151J
RESISTORS					
R 321 744 770 771 790 797		RS1/10S222J			
R 322 774		RS1/10S333J			
R 323 631 636 642 652 657 690		RS1/10S272J			
R 324 699 741 742		RS1/10S102J			
R 325 707		RS1/10S0R0J			
R 331 663		RS1/10S5R6J			
R 332 334 691 695 709		RS1/10S103J			
R 333 335 336 683 684 687 693 696		RS1/10S2R2J			
R 341		RD1/4PS221JL			
R 344 367 637 643 673		RS1/10S473J			
R 345		RS1/10S472J			
R 351		RD1/4PS120JL			
R 352		RD1/4PS100JL			
R 353 381 651 653 655 658 659 723 724 740		RS1/10S102J			
R 354 378 616 628		RS1/10S153J			
R 355		RS1/10S113J			
R 356 357		RS1/10S563J			
R 358 359 669		RS1/10S563J			
R 360 608		RS1/10S823J			
R 361 383 685		RS1/10S823J			
R 362 763		RS1/10S564J			
R 363		RD1/4PS223JL			
R 364 365 618 671		RS1/10S105J			
R 366 665		RS1/10S562J			
R 377		RS1/10S562J			
R 379 705		RS1/10S332J			
R 380 625		RS1/10S203J			
R 382 667		RS1/10S363J			
R 384 630		RS1/10S273J			
R 601 602		RS1/10S101J			
R 606 623		RS1/10S224J			
R 607		RS1/10S683J			
R 609 619		RS1/10S104J			
R 610		RS1/10S113J			
R 611		RS1/10S432J			
R 612		RS1/10S623J			
R 613		RS1/10S624J			
R 614		RS1/10S104J			
R 617		RS1/10S203J			
R 620 654 656 660		RS1/10S272J			
CAPACITORS					
C 351 707 722 737 738 755 760		CEA101M6R3LS			
C 352 672 676 683 710 730 758		CKSQYB103K50			
C 353 654		CKSQYB333K25			
C 354		CASA150M6R3			
C 355 611 625 626 652 682		CKSQYB103K50			
C 356		CKSQYB332K50			
C 357 614 630 663 664 665 666 671		CKSYB224K25			
C 358 607 668 669 675 677		CKSYB473K50			
C 360 361 651 653		CKSYB224K25			
C 370 373		CCSQCH220J50			
C 371 615		CKSQYB102K50			
C 372		CCSQCH150J50			
C 601		CKSQYB222K50			
C 605 656		CKSYB104K25			
C 606 616		CEA220M16LS			
C 608		CEALNP220M6R3			
C 609 715 716 756		CKSQYB472K50			
C 610		CCSQCH221J50			
C 612 620 678 701 705		CKSYB104K25			
C 613		CKSQYB333K25			
C 617		CEA4R7M50LS			
C 618		CKSQYB272K50			
C 619		CKSQYB182K50			
C 621		CEALNP4R7M35			
C 623		CKSQYB222K50			
C 627		CCSQCH220J50			
C 655		CCSQL681J50			
C 657		CKSYB393K25			
C 659		CEA100M25LS			
C 660		CASA100M6R3			

FH-5071ZM

====Circuit	Symbol & No.	Part Name====	Part No.	====Circuit	Symbol & No.	Part Name====	Part No.
C 661		470 μ F/16V	CCH-114	Unit Number :			
C 662			CEA100M25LS	Unit Name :		Detector P.C.Board	
C 673			CKSYB224K25				
C 703 704			CCSQCH090D50	Q 831 832 833 834		Photo-Transistor	PH102
C 708			CEA101M6R3LS				
C 709 740			CKSYB103K50	Unit Number :			
C 711 712			CEALNP330M10	Unit Name :		Switch P.C.Board	
C 713 714			CKSYB683K25				
C 717 718			CCSQCH471J50	S 1		Switch(CST SET)	CSN-089
C 719 720			CKSQYB822K50	S 2 3		Switch(CST IN,70 μ S)	CSN1023
				MR 1 2		Magnetic Resistive Device	DM-106B
C 724			CKSQYB222K50	Unit Number :			
C 731 732			CCSQCH331J50	Unit Name :		P.C.Board Unit	
C 733 734			CCSQCH331J50				
C 735 736			CEA330M6R3LS	D 1 2 3			1S1555
C 751			CKSYF105Z25				
C 752 753			CCSQCH300J50	Miscellaneous Parts List			
C 757			CEA6R8M35LS				
Unit Number :						PU Unit	CGY1015
Unit Name :		Carriage P.C.Board		HD 1		Head Unit	CXA2462
M 831		Motor Unit(Spindle)	CXM1054	M 1 2		Motor Unit(Head,FF/REW)	CXA3596
M 832		Motor Unit(Carriage)	CXA3347	M 3		Motor(Capstan)	CXM1055
S 831		Switch(Home)	CSN1018	BZ 801 (P.C.Board)		Buzzer	CPV1005
Unit Number :				VR 1 (Audio Power Unit)			CCS1211
Unit Name :		Mechanism P.C.Board		Volume/Switch 50k Ω (M),50k Ω (N),20k Ω (C)X2			
D 831 832 833 834		LED(Disc Detect)	SLR-981A	VR 2 (Used Audio Power Unit)Volume 50k Ω (B)X2			CCS1205
M 833		Motor Unit>Loading)	CXA2129				
S 832		Switch(Disc Set)	CSN1020				