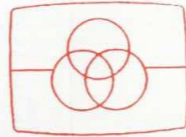


# Cassette recorder D6260/00

Service  
Service  
Service



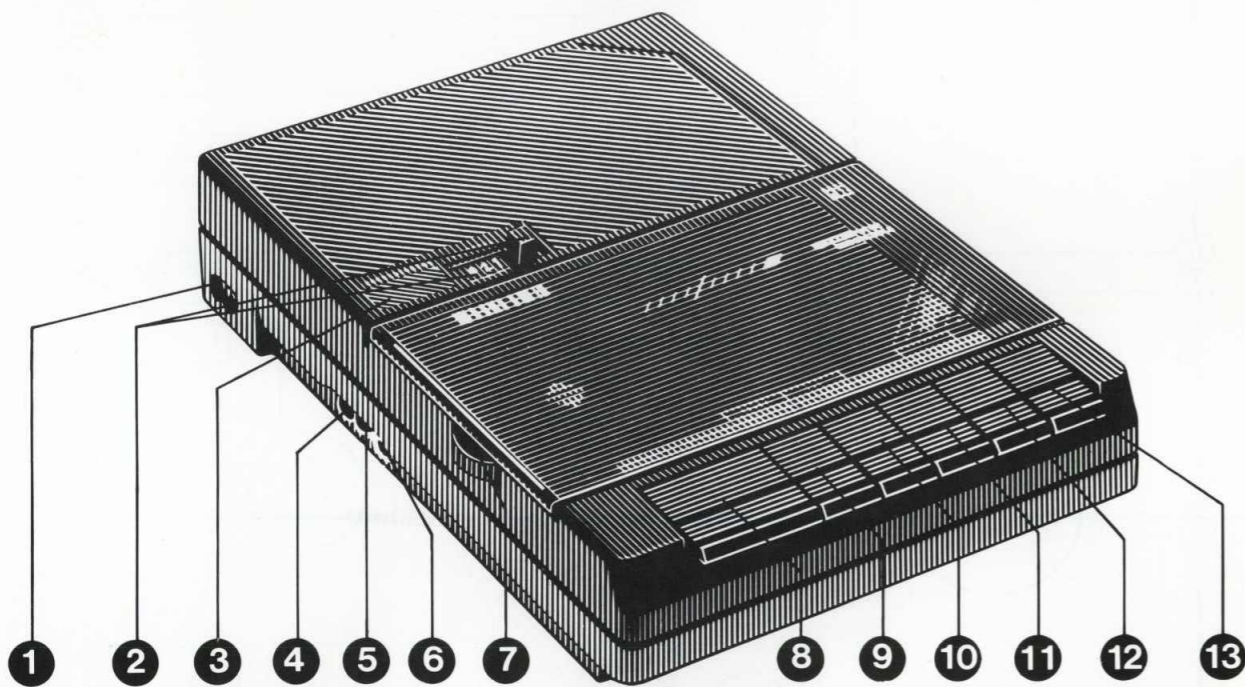
Free service manuals  
Gratis schema's

Digitized by

www.freeservicemanuals.info

For repair information of the cassette mechanism see Service Manual of "Recorders tape deck RT-1" and "Recorders tape deck RT-30".

# Service Manual



37 579 A12

## CONNECTIONS AND CONTROLS

1		"Mains inlet"	BU1/SK1	8		"Record"	SK101-SK-2
2		"Tape counter"		9		"Rewind/Review"	SK-2
3		"Electret mic"	Mi101	10		"Fast forward/cue"	SK-2
4		"Headphone/line out"	BU104	11		"Play"	SK-2
5		"Remote"	BU103	12		"Stop/eject"	SK-2
6		"Line in/Ext. mic"	BU102	13		"Pause"	SK-2
7		"Volume"	R118				

## SPECIFICATIONS

	: 6 V (4x R14)
	: 220 V, 50/60 Hz
Frequency response	: 250-6300 Hz within 8 dB
Tape speed	: 4.76 cm/sec ± 3%
Wow and flutter	: ≤ 0.35%
Input sensitivity BU102	: 1 mV/1 kΩ

Adjustment	Cassette	Recorder in position	Measure on	Read on	Adjust with	Adjust to
Play back speed	3150 Hz of SBC420*	PLAY	BU-104	Wow- and flutter meter	Preset in motor	**a
Azimuth R/P head	8 kHz of SBC420*	PLAY	BU-104	mV-meter	Left screw R/PB head	Max. output

\* SBC420: 4822 379 30071.

\*\*a The maximum permissible speed deviation is 3%. Moreover, the wow-and-flutter value can be read. This value should not exceed 0.35%.



"Pour votre sécurité, ces documents doivent être utilisés par des spécialistes agréés, seuls habilités à réparer votre appareil en panne".

Subject to modification

4822 725 20564

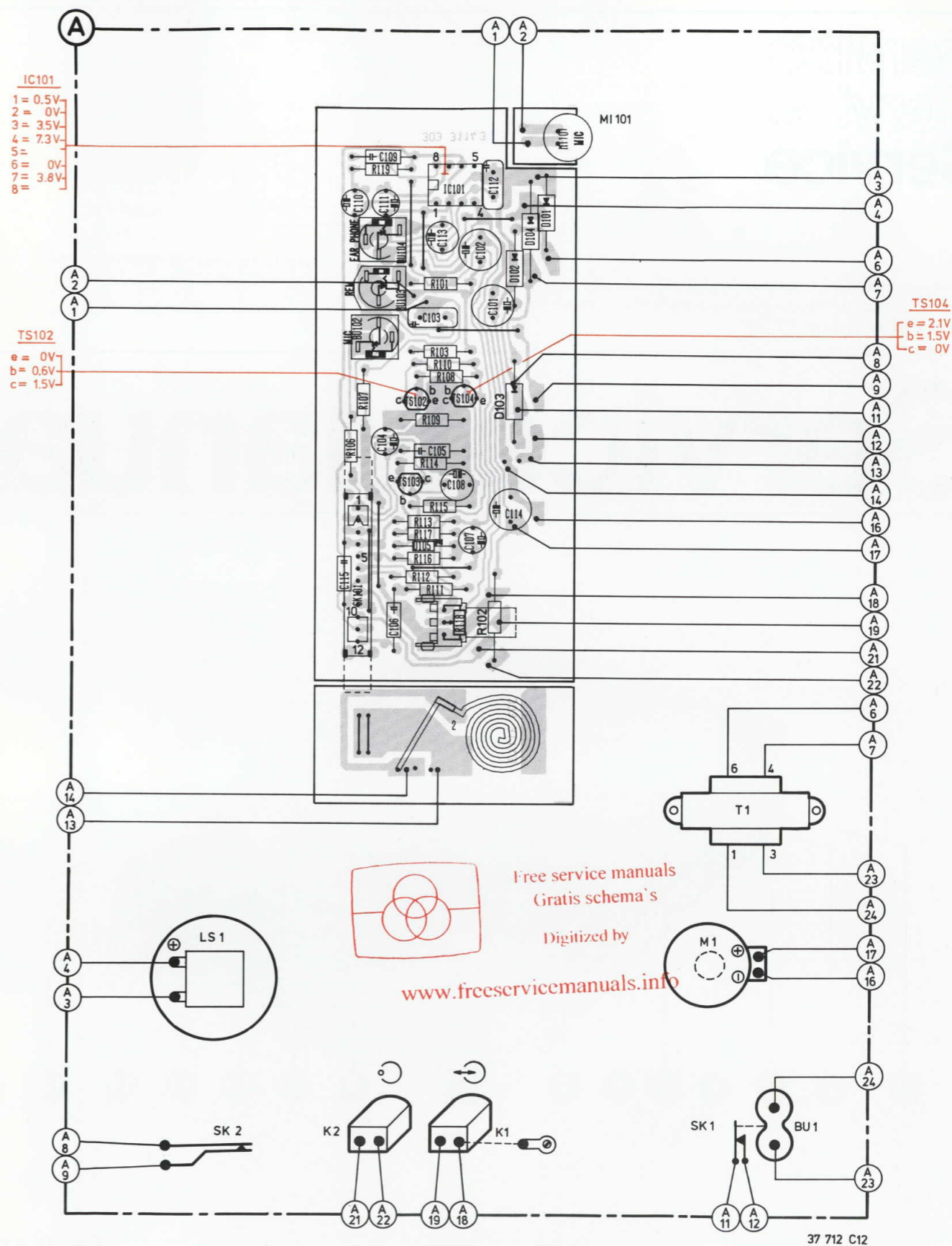
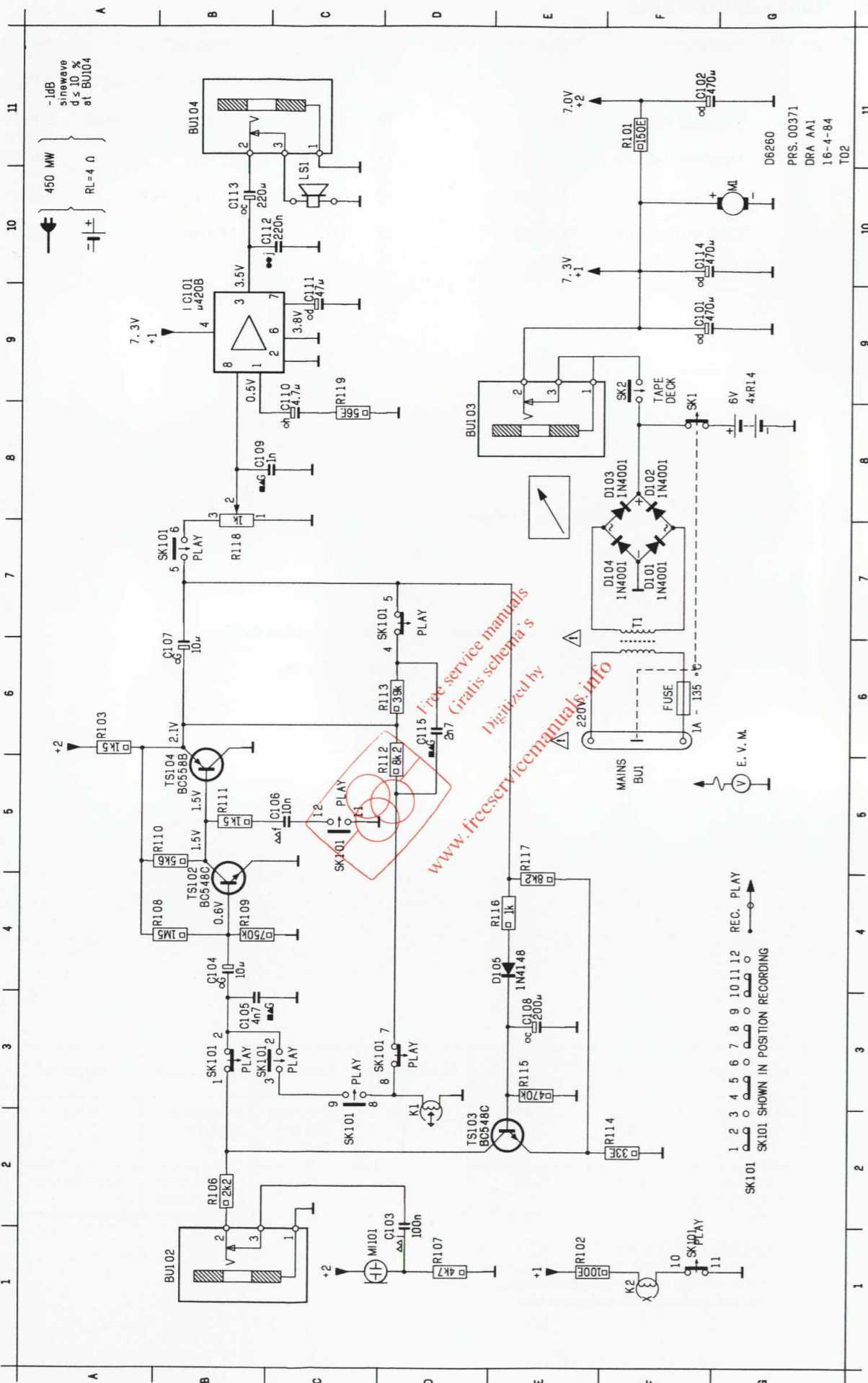
Printed in The Netherlands

©Copyright reserved

**PHILIPS**

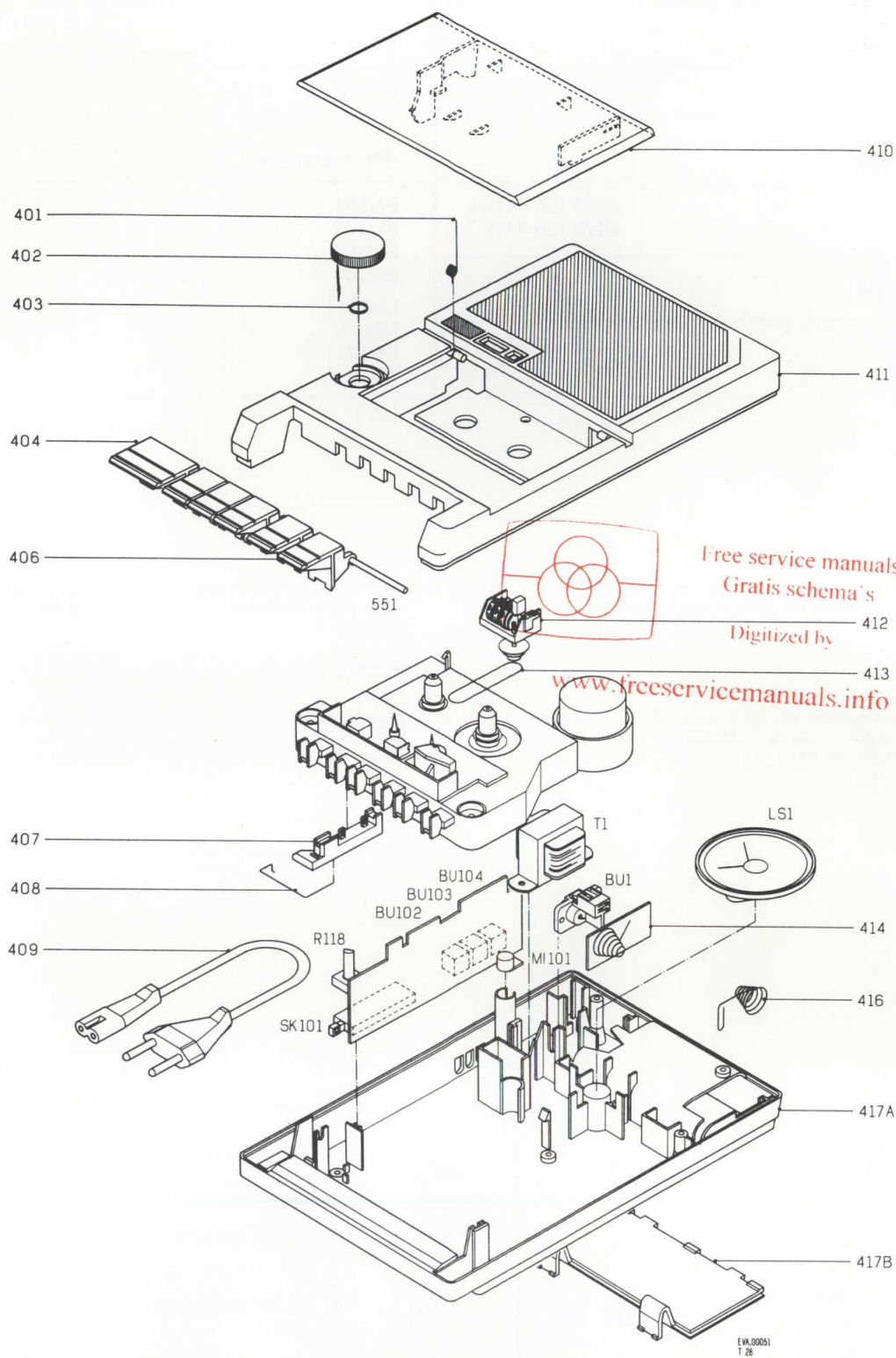
Published by  
Service Consumer Electronics

BU1 F 6 C101 F 9 C106 C 5 C110 C 9 C114 F10 D103 F 8 K1 D 3 R101 F11 R107 D 1 R111 B 5 R115 E 3 R119 C 9 SK101 B 3 SK101 D 7 TS103 D 2  
 BU102 B 1 C102 F 1 C107 B 6 C111 C 9 C115 D 6 D104 F 7 K2 F 1 R102 E 1 R108 B 4 R112 D 5 R116 E 4 SK2 F 10 SK101 D 3 SK101 F 5 TS104 B 5  
 BU103 F 8 C103 D 2 C108 E 3 C109 B 8 C112 B10 D101 F 7 D105 E 4 L S1 G10 R105 B 2 R110 B 5 R113 D 6 R117 E 5 SK1 F 9 SK101 C 2 T1 TS102 B 4  
 BU104 B11 C105 B 4 C109 B 8 C113 B10 D102 F 8 IC101 B 9 M1 G10 R106 B 2 R111 B 5 R114 F 2 R118 B 7 SK101 B 3 SK101 F 1 TS102 B 4



www.freeservicemanuals.info  
 Digitized by  
 Free service manuals  
 Gratis schema's

Free service manuals  
 Gratis schema's  
 Digitized by  
 www.freeservicemanuals.info



401	4822 492 41246
402	4822 413 41214
403	4822 492 51374
404	4822 413 31259
406	4822 413 41215
407	4822 403 52322
408	4822 492 41247
409	4822 321 10105 △
410	4822 443 61502 /00
410	4822 443 61535 /18
411	4822 443 30591
412	4822 349 50212
413	4822 358 30463
414	4822 492 63001
416	4822 492 51231
417	4822 443 50593

EVA\_00051  
T 26

<b>-IC-</b>			<b>-R-</b>		
IC101	U410B	4822 209 81367	R118	1 kA	4822 100 20143
<b>-TS-</b>			<b>-Miscellaneous-</b>		
BC548C		4822 130 44196	BU001		4822 265 20207
BC558B		4822 130 44197	BU102		4822 267 30634
			BU103		4822 267 30635
			BU104		4822 267 30634
<b>-D-</b>			LS001		4822 240 30123
1N4001G		4822 130 31438	MI101		4822 242 10046
1N4148		4822 130 30621	SK101		4822 277 20657
			T001		4822 146 20997

**GB**

Safety regulations require that the set be restored to its original condition and that parts which are identical with those specified be used.

**F**

Les normes de sécurité exigent que l'appareil soit remis à l'état d'origine et que soient utilisées les pièces de rechange identiques à celles spécifiées.

**NL**

Veiligheidsbepalingen vereisen, dat het apparaat in zijn oorspronkelijke toestand wordt teruggebracht en dat onderdelen, identiek aan de gespecificeerde, worden toegepast.

**D**

Bei jeder Reparatur sind die geltenden Sicherheitsvorschriften zu beachten. Der Originalzustand des Geräts darf nicht verändert werden; für Reparaturen sind Original-Ersatzteile zu verwenden.

**I**

Le norme di sicurezza esigono che l'apparecchio venga rimesso nelle condizioni originali e che siano utilizzati i pezzi di ricambio identici a quelli specificati.

	Carbon film 0.2 W 70°C 5%		Ceramic plate Tuning ≤ 120 pF NP.0 2% Others -20/+80%	*a = 2,5 V b = 4 V c = 6,3 V d = 10 V e = 16 V f = 25 V g = 40 V h = 63 V j = 100 V l = 125 V m = 150 V n = 160 V q = 200 V r = 250 V s = 300 V t = 350 V u = 400 V v = 500 V w = 630 V x = 1000 V A = 1,6 V B = 6 V C = 12 V D = 15 V E = 20 V F = 35 V G = 50 V H = 75 V I = 80 V
	Carbon film 0.33 W 70°C 5%		Polyester flat foil 10%	
	Metal film 0.33 W 70°C 5%		Metalized polyester flat film 10%	
	Carbon film 0.5 W 70°C 5%		Polyester flat foil small size (Mylar) 10%	
	Carbon film 0.67 W 70°C 5%		Polysterene film/foil 1%	
	Carbon film 1.15 W 70°C 5%		Tubular ceramic	
			Miniature single	
			Subminiature tantalum ± 20%	
	Chip component			