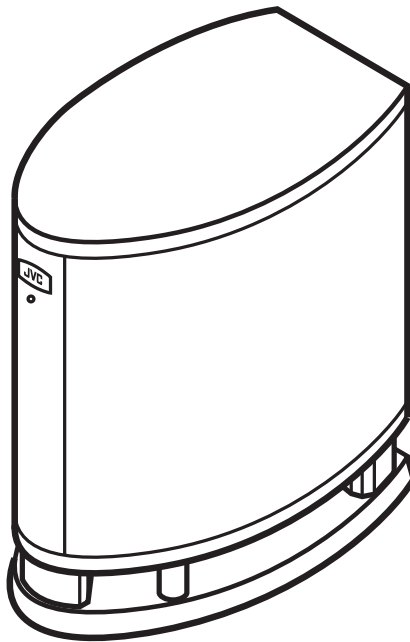


JVC

SERVICE MANUAL

POWERED SUBWOOFER

SX-DW303



Area Suffix
J ----- U.S.A.

TABLE OF CONTENTS

1	PRECAUTION.....	1-3
2	SPECIFIC SERVICE INSTRUCTIONS.....	1-5
3	DISASSEMBLY	1-6
4	ADJUSTMENT	1-9
5	TROUBLESHOOTING	1-10

SPECIFICATION

Type	Powered subwoofer
	Bass-reflex type, (magnetically shielded type)
Speaker unit	16.0 cm (6 5/16 in.) cone (× 1)
Frequency range	30 Hz to 200 Hz
Input impedance	50 k Ω (LOW-LEVEL)
	470 Ω (HIGH-LEVEL)
Input terminals	INPUT 1 (LOW-LEVEL)
	INPUT 2 (HIGH-LEVEL)
Power requirements	AC 120 V , 60 Hz
Output power of built-in amp	100 W (45 Hz, 4 Ω , 10 % THD)
Power consumption	25 W
Dimensions (W × H × D)	217 mm × 393 mm × 376 mm (8 9/16 in. × 15 1/2 in. × 14 13/16 in.)
Mass	9.2 kg (20.3 lbs)

SECTION 1 PRECAUTION

1.1 Safety Precautions

- (1) This design of this product contains special hardware and many circuits and components specially for safety purposes. For continued protection, no changes should be made to the original design unless authorized in writing by the manufacturer. Replacement parts must be identical to those used in the original circuits. Services should be performed by qualified personnel only.
- (2) Alterations of the design or circuitry of the product should not be made. Any design alterations of the product should not be made. Any design alterations or additions will void the manufacturer's warranty and will further relieve the manufacturer of responsibility for personal injury or property damage resulting therefrom.
- (3) Many electrical and mechanical parts in the products have special safety-related characteristics. These characteristics are often not evident from visual inspection nor can the protection afforded by them necessarily be obtained by using replacement components rated for higher voltage, wattage, etc. Replacement parts which have these special safety characteristics are identified in the Parts List of Service Manual. Electrical components having such features are identified by shading on the schematics and by (Δ) on the Parts List in the Service Manual. The use of a substitute replacement which does not have the same safety characteristics as the recommended replacement parts shown in the Parts List of Service Manual may create shock, fire, or other hazards.
- (4) The leads in the products are routed and dressed with ties, clamps, tubings, barriers and the like to be separated from live parts, high temperature parts, moving parts and/or sharp edges for the prevention of electric shock and fire hazard. When service is required, the original lead routing and dress should be observed, and it should be confirmed that they have been returned to normal, after reassembling.
- (5) Leakage shock hazard testing

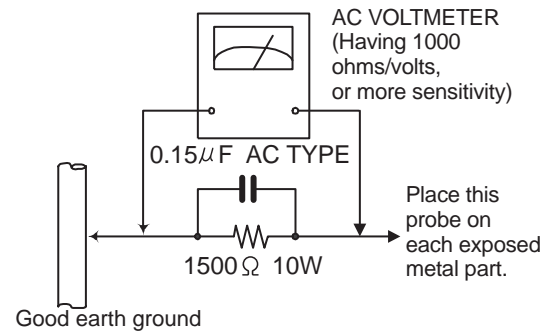
After reassembling the product, always perform an isolation check on the exposed metal parts of the product (antenna terminals, knobs, metal cabinet, screw heads, headphone jack, control shafts, etc.) to be sure the product is safe to operate without danger of electrical shock. Do not use a line isolation transformer during this check.

 - Plug the AC line cord directly into the AC outlet. Using a "Leakage Current Tester", measure the leakage current from each exposed metal part of the cabinet, particularly any exposed metal part having a return path to the chassis, to a known good earth ground. Any leakage current must not exceed 0.5mA AC (r.m.s.).
 - Alternate check method

Plug the AC line cord directly into the AC outlet. Use an AC voltmeter having, 1,000 Ω per volt or more sensitivity in the following manner. Connect a 1,500 Ω 10W resistor paralleled by a 0.15 μ F AC-type capacitor between an exposed metal part and a known good earth ground. Measure the AC voltage across the resistor with the AC

voltmeter.

Move the resistor connection to each exposed metal part, particularly any exposed metal part having a return path to the chassis, and measure the AC voltage across the resistor. Now, reverse the plug in the AC outlet and repeat each measurement. Voltage measured any must not exceed 0.75 V AC (r.m.s.). This corresponds to 0.5 mA AC (r.m.s.).



1.2 Warning

- (1) This equipment has been designed and manufactured to meet international safety standards.
- (2) It is the legal responsibility of the repairer to ensure that these safety standards are maintained.
- (3) Repairs must be made in accordance with the relevant safety standards.
- (4) It is essential that safety critical components are replaced by approved parts.
- (5) If mains voltage selector is provided, check setting for local voltage.

1.3 Caution

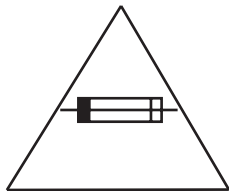
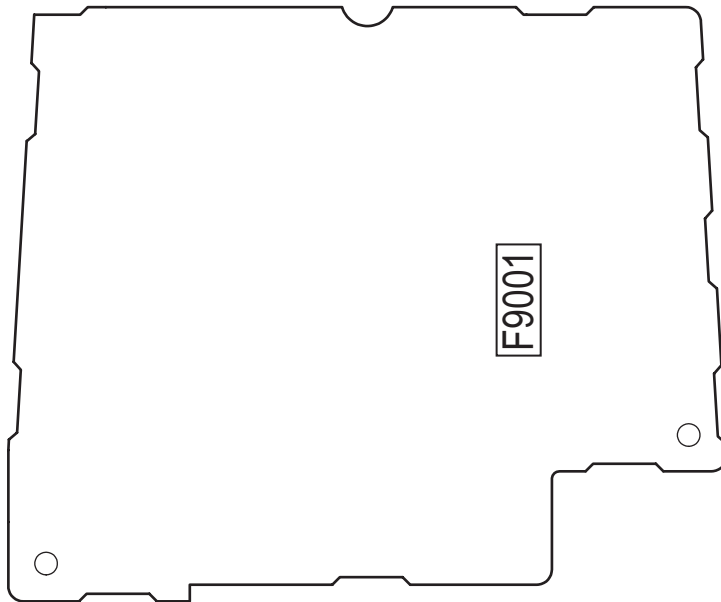
Burrs formed during molding may be left over on some parts of the chassis.
Therefore, pay attention to such burrs in the case of pre-forming repair of this system.

1.4 Critical parts for safety

In regard with component parts appearing on the silk-screen printed side (parts side) of the PWB diagrams, the parts that are printed over with black such as the resistor (\blacksquare), diode (\blacksquare) and ICP (\bullet) or identified by the " Δ " mark nearby are critical for safety. When replacing them, be sure to use the parts of the same type and rating as specified by the manufacturer. (This regulation does not Except the J and C version)

1.5 Importance administering point on the safety

Power switch board (Forward side)



Caution: For continued protection against risk of fire, replace only with same type 3A/250V for F9001.

This symbol specifies type of fast operating fuse.

SECTION 2 SPECIFIC SERVICE INSTRUCTIONS

This service manual does not describe SPECIFIC SERVICE INSTRUCTIONS.

SECTION 3 DISASSEMBLY

3.1 Removing the amplifier assembly (See Figs.1 and 2)

- (1) Remove the eleven screws **A** attaching the amplifier assembly. (See Fig.1.)
- (2) Remove the amplifier assembly from the service cabinet. (See Fig.2.)
- (3) From the back side of the amplifier assembly, disconnect the wire from the wire connector. (See Fig.2.)
- (4) Disconnect the speaker wire from the speaker terminal. (See Fig.2.)

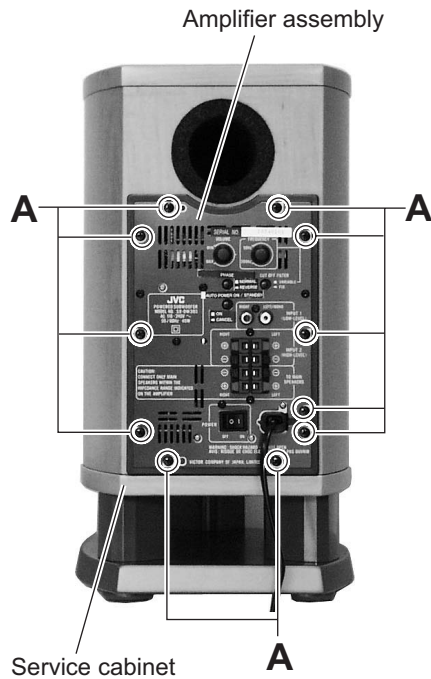


Fig.1

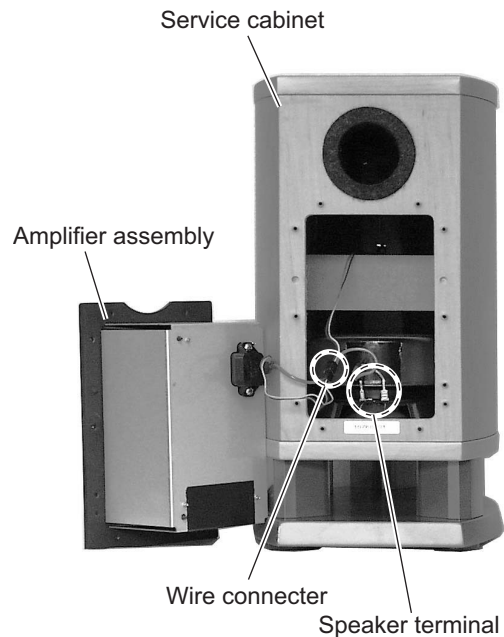


Fig.2

3.2 Removing the back panel (See Fig.3)

- Prior to performing the following procedures, remove the amplifier assembly.
 - (1) Pull out the volume knob and frequency knob.
 - (2) Remove the seven screws **B** attaching the back panel.

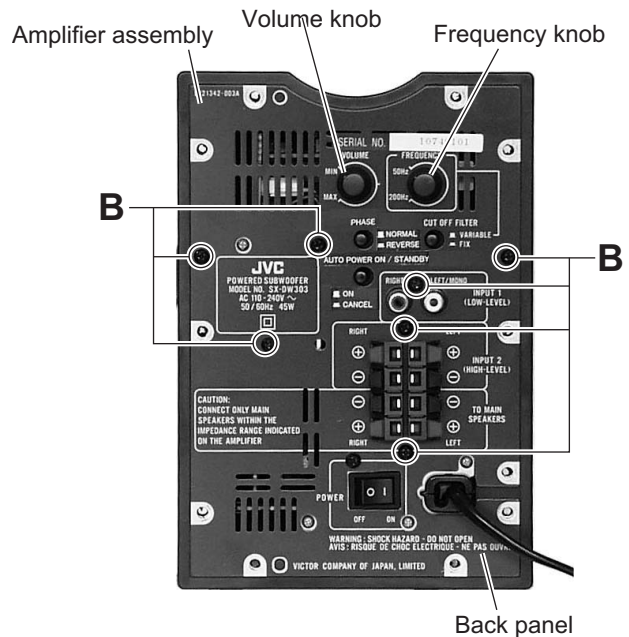


Fig.3

3.3 Removing the power cord (See Figs.4 and 5)

- Prior to performing the following procedures, remove the back panel.
 - Remove the two screw **C** attaching the bracket (CORD). (See Fig.4.)
 - Take out the bracket (CORD) toward this side.
 - Disconnect the power cord from the connector [CN901](#). (See Fig.5.)

3.4 Removing the amplifier board assembly (See Figs.5 and 6)

- Prior to performing the following procedures, remove the back panel and power cord.
 - Remove the screw **D** attaching the bracket (SW). (See Fig.5.)
 - Remove the three screws **E** attaching the bracket (KNOB). (See Fig.5.)
 - Disconnect the wires from the connectors [CN102](#) and [CN503](#). (See Fig.5.)
 - Disconnect the amplifier board assembly from the connectors [CN951](#) and [CN952](#) on the regulator board. (See Fig.6.)
 - Take out the amplifier board assembly from the amplifier assembly.

3.5 Removing the regulator board (See Fig.6)

- Prior to performing the following procedures, remove the back panel, power cord and amplifier board assembly.
 - Remove the two screws **F** and four screws **G** attaching the regulator board.
 - Take out the regulator board from the cover.

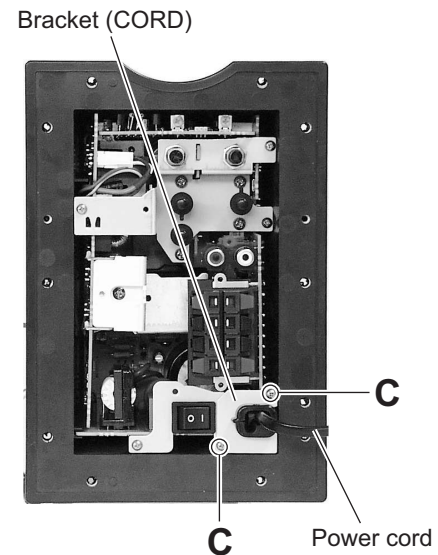


Fig.4

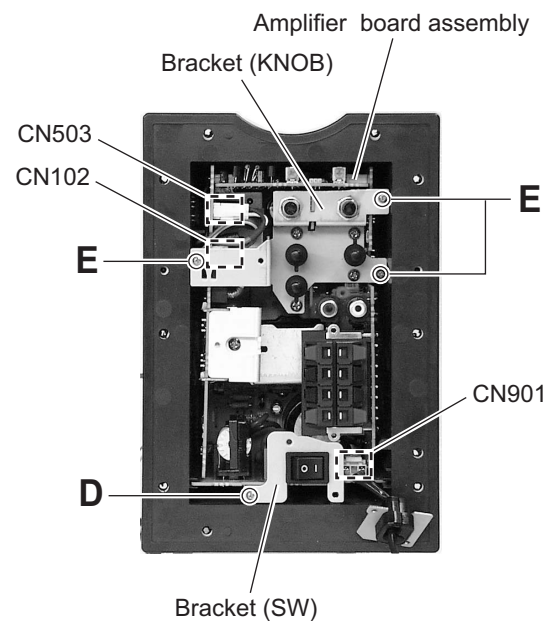


Fig.5

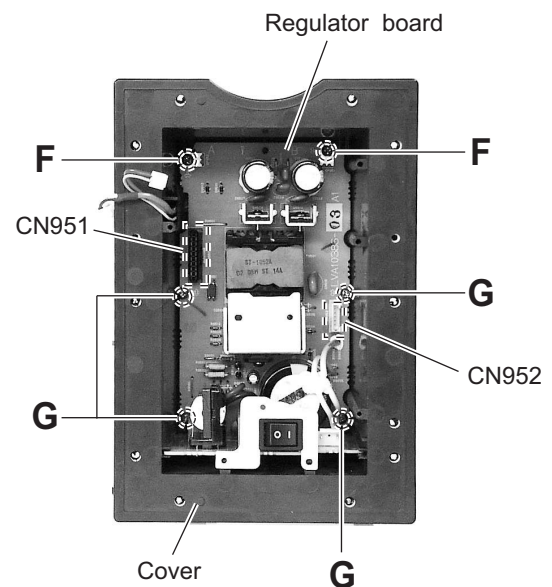
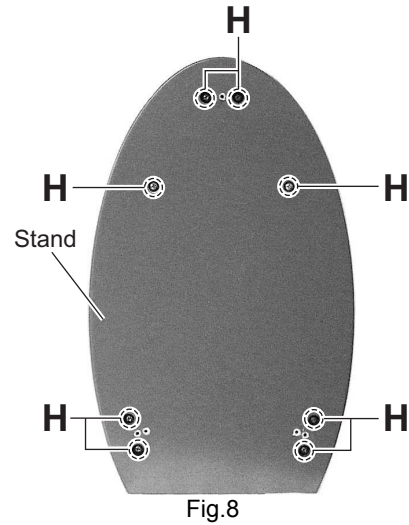
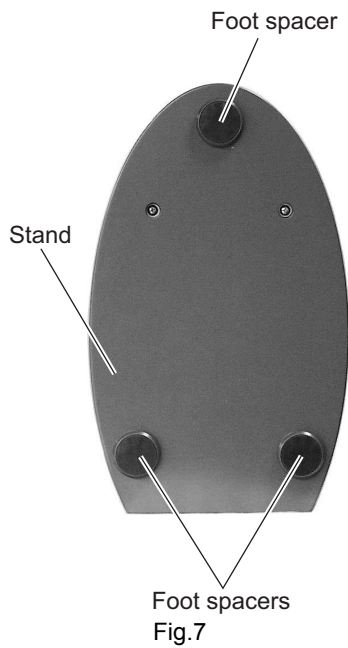


Fig.6

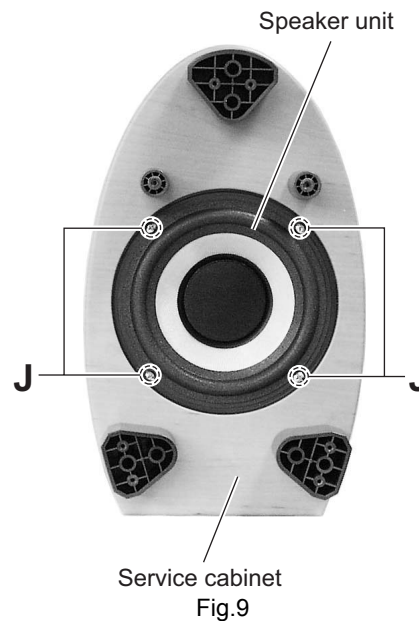
3.6 Removing the stand (See Figs.7 and 8)

- (1) Remove the foot spacers. (See Fig.7.)
- (2) Remove the eight screws H attaching the stand. (See Fig.8.)
- (3) Remove the stand toward this side.



3.7 Removing the speaker unit (See Fig.9)

- Prior to performing the following procedures, remove the stand.
 - (1) Remove the four screws J attaching the speaker unit.
 - (2) Take out the speaker unit from the service cabinet toward this side.



SECTION 4 ADJUSTMENT

This service manual does not describe ADJUSTMENT.

SECTION 5 TROUBLESHOOTING

This service manual does not describe TROUBLESHOOTING.



JVC

VICTOR COMPANY OF JAPAN, LIMITED

AV & MULTIMEDIA COMPANY AUDIO/VIDEO SYSTEMS CATEGORY 10-1,1chome,Ohwatari-machi,Maebashi-city,371-8543,Japan

(No.MB082)



Printed in Japan
WPC

PARTS LIST

[SX-DW303]

* All printed circuit boards and its assemblies are not available as service parts.

Area suffix

J ----- Northern America

- Contents -

Exploded view of general assembly and parts list (Block No.M1)	3- 2
Electrical parts list (Block No.01)	3- 4
Packing materials and accessories parts list (Block No.M3)	3- 8

General assembly

Block No. [M][1][M][M]

△ Symbol No.	Part No.	Part Name	Description	Local
1	LV21341-002A	SHIELD		
2	LV10709-002A	COVER		
3	LV30225-044A	SPACER	(x4)	
4	LV30225-079A	SPACER		
5	LV30225-0E4A	SPACER		
6	LV30225-025A	SPACER		
7	LV30225-0G8A	SPACER		
8	QYSBSG3016E	TAP SCREW	M3 x 16mm(x2)	
9	QYSBSF3008Z	SCREW	3mm x 8mm(x4)	
10	LV43179-002A	BKT(SW)		
11	LV30225-0H6A	SPACER		
12	LV30225-0H7A	SPACER	(x2)	
13	QYSBSF2612M	TAP SCREW	M2.6 x 12mm	
14	LV41148-002A	CORD COVER		
15	QYSBSF4012Z	TAP SCREW	4mm x 12mm(x2)	
16	QQR0919-001	FERRITE CORE		
17	LV43178-001A	BKT(CORD)		
△ 18	QZW0033-001	STRAIN RELIEF		
△ 19	QMPD280-200-JC	POWER CORD (US/CA)	2m BLACK	
20	QYSBSF2612M	TAP SCREW	M2.6 x 12mm(x2)	
21	LV33804-002A	BKT(KNOB)		
22	QYSBST3006Z	TAPPING SCREW	3mm x 6mm(x4)	
23	LV30734-002A	KNOB	(x2)	
24	E407321-002SM	PUSH BUTTON	(x3)	
25	LV30225-0H5A	SPACER		
26	QYSBSF2612M	TAP SCREW	M2.6 x 12mm(x3)	
27	LV30225-0H5A	SPACER		
28	LV30225-0E5A	SPACER		
29	LV30225-0E5A	SPACER	(x2)	
30	LV30225-0A4A	SPACER	(x2)	
31	LV30225-074A	SPACER		
32	LV21342-014A	BACK PANEL		
33	LV30225-0H4A	SPACER		
34	LV30225-0H5A	SPACER		
35	QYSBSGY3008E	SPECIAL SCREW	3mm x 8mm	
36	QYSBSGY3008E	SPECIAL SCREW	3mm x 8mm(x2)	
37	QYSBSGY3008E	SPECIAL SCREW	3mm x 8mm	
38	QYSBSGY3008E	SPECIAL SCREW	3mm x 8mm	
39	QYSBSGY3008E	SPECIAL SCREW	3mm x 8mm(x2)	
40	QYSDSA4020M	TAP SCREW	M4 x 20mm(x11)	
△ 41	LV33803-001A	HEAT SINK		
42	QYSBSG3012Z	TAP SCREW	M3 x 12mm	
43	LV30225-0G7A	SPACER	(x2)	
44	LV30225-0G4A	SPACER		
45	LV43211-001A	SPACER		
46	LV40232-001A	NUMBER LABEL		
47	VND4999-001	FCC LABEL (3)		
△ 48	QMF51N2-3R0-J1	FUSE	3A AC250V	
49	WJJ0098-001A	E-SI C WIRE C-C		
50	WJJ0390-001A	E-SI C WIRE C-C		
51	LV33918-002A	SERVICE CABINET		
52	LE10016-039A	SPK UNIT		
53	DW3-ML01-01	SCREW	4mm x 20mm(x4)	
54	LV43202-001A	FOOT	(x2)	
55	LV33824-001A	FOOT	(x2)	
56	LV33824-002A	FOOT		
57	DW3-ML02-01	SCREW	4mm x 20mm(x6)	
58	DW3-TZ00-01	STAND		
59	PD3-DP00-01	WASHER	(x2)	
60	DD3-DP00-01	WASHER	(x2)	
61	DW3-ML02-01	SCREW	4mm x 20mm(x8)	
62	DW3-JD00-01	FOOT SPACER	(x3)	
63	QYSBSGY3008M	SPECIAL SCREW	3mm x 8mm(x2)	
64	QYSBSG3010Z	TAPPING SCREW	3mm x 10mm	
65	QYSBSG3008Z	TAPPING SCREW	3mm x 8mm	
66	QYSBSG3008Z	TAPPING SCREW	3mm x 8mm(x2)	

Electrical parts list

Main board

Block No. [0][1][0][0]

△ Symbol No.	Part No.	Part Name	Description	Local
IC101	HA17558AF-X	IC	Dual Operational Amp	
IC102	HA17558AF-X	IC	Dual Operational Amp	
IC103	HA17558AF-X	IC	Dual Operational Amp	
IC104	HA17558AF-X	IC	Dual Operational Amp	
IC501	HA17558AF-X	IC	Dual Operational Amp	
IC502	NJM311M-XE	IC	Comparator	
IC503	TC74HC00AF-W	IC	Quad NAND gate	
IC504	TC74HC14AF-X	IC	Hex Schmitt inverter	
IC505	BU4584BF-X	IC	Hex schmitt inverter	
IC506	IR2113S-X	GATE DRIVER	Gate driver	
IC571	TC74HC14AF-X	IC	Hex Schmitt inverter	
IC591	NJM78L05A-T	IC	Regulator	
IC592	AN79L05-T	IC	Regulator	
IC951	STR-F6656	IC	Switching regulator	
Q1001	2SC2412K/RS/-X	TRANSISTOR		
Q1002	2SC2412K/RS/-X	TRANSISTOR		
Q1003	2SC2412K/RS/-X	TRANSISTOR		
Q1004	2SA1037AK/RS/-X	TRANSISTOR		
Q1005	2SD2114K/VV/-X	TRANSISTOR		
Q1006	2SA1037AK/RS/-X	TRANSISTOR		
Q1007	2SC2412K/RS/-X	TRANSISTOR		
Q5001	2SA1037AK/RS/-X	TRANSISTOR		
Q5002	2SC2412K/RS/-X	TRANSISTOR		
Q5003	2SA1037AK/RS/-X	TRANSISTOR		
Q5004	2SC4452/3-4/-X	TRANSISTOR		
Q5005	2SA1514K/RS/-X	TRANSISTOR		
Q5006	IRF1540N	FET		
Q5007	IRF1540N	FET		
Q5706	2SC2412K/RS/-X	TRANSISTOR		
Q5707	2SA1037AK/RS/-X	TRANSISTOR		
Q5708	KRC104S-X	TRANSISTOR		
Q5709	2SC2412K/RS/-X	TRANSISTOR		
Q5710	2SA1037AK/RS/-X	TRANSISTOR		
Q5711	2SC2412K/RS/-X	TRANSISTOR		
Q5712	KRA104S-X	DIGI TRANSISTOR		
Q5713	2SK303/3-4/-X	FET		
Q5714	DTC115EKA-X	DIGI TRANSISTOR		
Q5715	KRA104S-X	DIGI TRANSISTOR		
Q5716	KRC104S-X	TRANSISTOR		
Q5717	DTC115EKA-X	DIGI TRANSISTOR		
Q5718	DTC115EKA-X	DIGI TRANSISTOR		
Q5719	KRC104S-X	TRANSISTOR		
Q5720	KRA104S-X	DIGI TRANSISTOR		
Q5721	KRC104S-X	TRANSISTOR		
Q5722	DTC144TKA-X	TRANSISTOR		
Q5723	2SK303/3-4/-X	FET		
△ Q5901	2SD2395/EF/	TRANSTRANSISTOR		
Q5902	2SA1037AK/RS/-X	TRANSISTOR		
Q5903	2SC2412K/RS/-X	TRANSISTOR		
Q5904	2SC2412K/RS/-X	TRANSISTOR		
Q5905	2SA1037AK/RS/-X	TRANSISTOR		
Q9504	2SC2412K/RS/-X	TRANSISTOR		
Q9508	2SA1514K/RS/-X	TRANSISTOR		
Q9509	2SA1514K/RS/-X	TRANSISTOR		
Q9510	2SC2412K/RS/-X	TRANSISTOR		
D1001	1SS133-T2	DIODE		
D1002	1SS133-T2	DIODE		
D1003	1SS133-T2	DIODE		
D5001	1SS133-T2	DIODE		
D5002	1SS133-T2	DIODE		
D5003	1SS133-T2	DIODE		
D5004	1SS133-T2	DIODE		
D5005	1SS133-T2	DIODE		

△ Symbol No.	Part No.	Part Name	Description	Local
D5006	1SS133-T2	DIODE		
D5007	MTZJ16B-T2	Z DIODE		
D5008	M1FL20U-X	FR DIODE		
D5009	MTZJ18B-T2	Z DIODE		
D5010	MTZJ18B-T2	Z DIODE		
D5011	M1FL20U-X	FR DIODE		
D5012	M1FL20U-X	FR DIODE		
D5013	1SS355-X	SI DIODE		
D5703	1SS133-T2	DIODE		
D5704	1SS355-X	SI DIODE		
D5705	1SS355-X	SI DIODE		
D5706	1SS355-X	SI DIODE		
D5707	1SS355-X	SI DIODE		
D5708	MA3200/H/-X	Z DIODE		
D5709	MA3200/H/-X	Z DIODE		
D5710	1SS355-X	SI DIODE		
D5711	1SS355-X	SI DIODE		
D5712	MA3300/L/-X	Z DIODE		
D5713	MA3300/L/-X	Z DIODE		
D5714	1SS355-X	SI DIODE		
D5715	1SS355-X	SI DIODE		
D5716	1SS133-T2	DIODE		
D5717	1SS355-X	SI DIODE		
D5718	1SS355-X	SI DIODE		
D5901	MTZJ16B-T2	Z DIODE		
D5902	MTZJ18B-T2	Z DIODE		
D5903	MTZJ15A-T2	Z DIODE		
D5904	MTZJ15A-T2	Z DIODE		
D5905	MTZJ6.8B-T2	Z DIODE		
D5906	MTZJ6.8B-T2	Z DIODE		
D5907	MTZJ16B-T2	Z DIODE		
D5908	MTZJ16B-T2	Z DIODE		
D5909	RB160L-40-X	SB DIODE		
D5910	RB160L-40-X	SB DIODE		
D5911	1SS355-X	SI DIODE		
D5912	1SS355-X	SI DIODE		
D9001	RBV-606	BRIDGE DIODE		
D9501	AW04-T2	SB DIODE		
D9502	AG01Z-T2	FR DIODE		
D9503	AG01Z-T2	FR DIODE		
D9504	MTZJ20B-T2	Z DIODE		
D9505	MTZJ20B-T2	Z DIODE		
D9506	AG01Z-T2	FR DIODE		
D9507	SARS03	SI DIODE		
△ D9509	FML-G22S	SI DIODE		
△ D9510	FML-G22S	SI DIODE		
D9511	MTZJ15A-T2	Z DIODE		
D9512	MTZJ15A-T2	Z DIODE		
PC951	PC123Y22FZ	PHOTO COUPLER	Photo coupler	
C1001	NCB31HK-102X	C CAPACITOR	1000pF 50V K	
C1002	NCB31HK-102X	C CAPACITOR	1000pF 50V K	
C1003	QTE1H06-475Z	E CAPACITOR	4.7uF 50V	
C1004	QTE1H06-475Z	E CAPACITOR	4.7uF 50V	
C1005	NCB31HK-222X	C CAPACITOR	2200pF 50V K	
C1006	NCB31HK-223X	C CAPACITOR	0.022uF 50V K	
C1007	NCB31HK-223X	C CAPACITOR	0.022uF 50V K	
C1008	QERF1CM-107Z	E CAPACITOR	100uF 16V M	
C1009	QERF1CM-107Z	E CAPACITOR	100uF 16V M	
C1010	QFN31HJ-104Z	M CAPACITOR	0.1uF 50V J	
C1011	QFN31HJ-104Z	M CAPACITOR	0.1uF 50V J	
C1012	QEK1CM-107Z	E CAPACITOR	100uF 16V M	
C1013	QEK1CM-107Z	E CAPACITOR	100uF 16V M	
C1014	QFN31HJ-563Z	M CAPACITOR	0.056uF 50V J	
C1015	QFV1HJ-224Z	MF CAPACITOR	0.22uF 50V J	
C1016	QTE1V06-106Z	E CAPACITOR	10uF 35V	
C1017	QFN31HJ-683Z	M CAPACITOR	0.068uF 50V J	
C1018	QFN31HJ-473Z	M CAPACITOR	0.047uF 50V J	
C1019	QTE1V06-106Z	E CAPACITOR	10uF 35V	
C1020	NCB31HK-222X	C CAPACITOR	2200pF 50V K	
C1021	QTE1C06-476Z	E CAPACITOR	47uF 16V	
C1022	QTE1C06-476Z	E CAPACITOR	47uF 16V	
C1023	QERF1HM-105Z	E CAPACITOR	1uF 50V M	
C1025	NCS31HJ-151X	C CAPACITOR	150pF 50V J	
C1026	NCS31HJ-151X	C CAPACITOR	150pF 50V J	

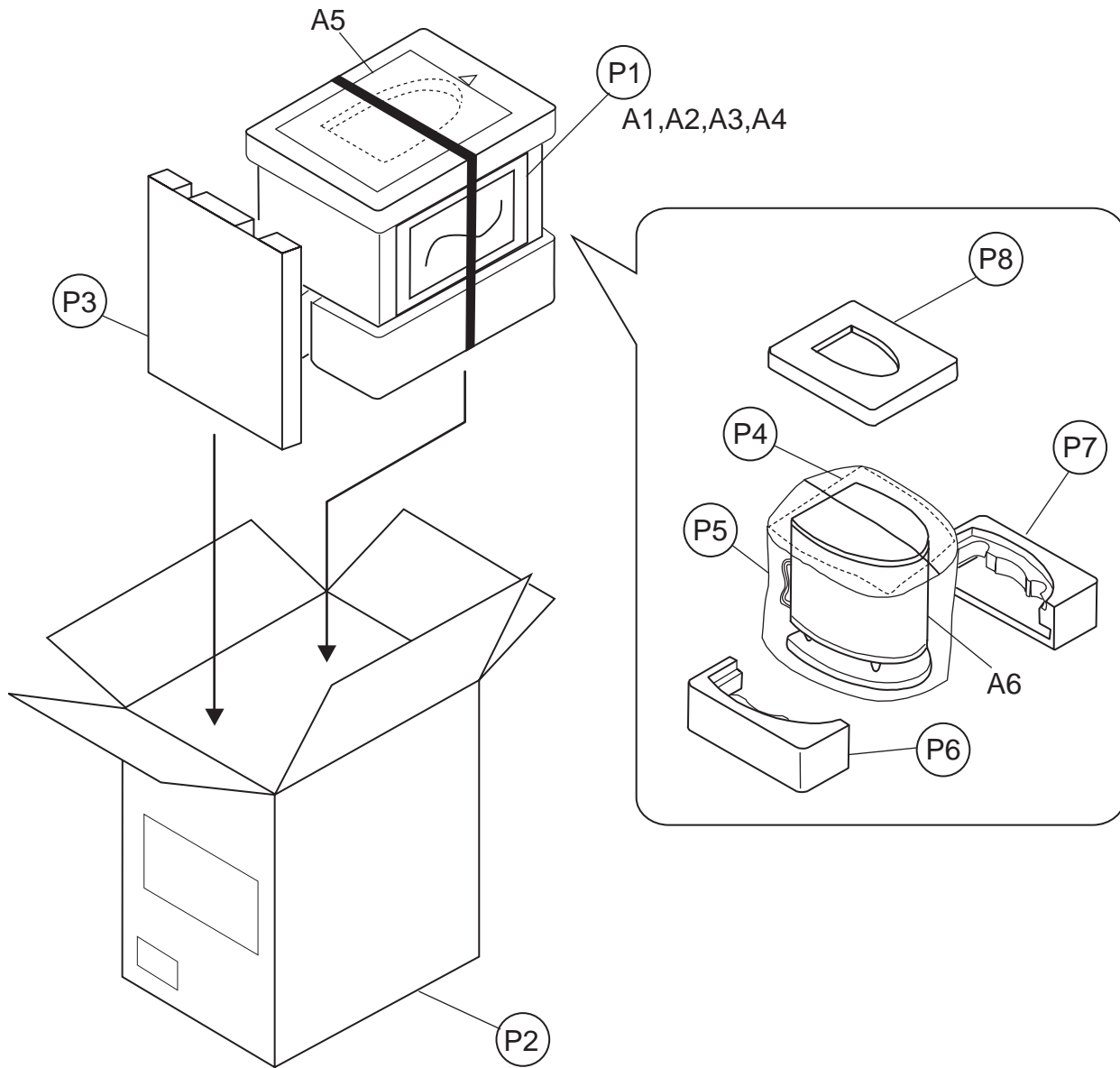
△ Symbol No.	Part No.	Part Name	Description	Local	△ Symbol No.	Part No.	Part Name	Description	Local
C1027	NCB31HK-103X	C CAPACITOR	0.01uF 50V K		C9503	NCB31HK-471X	C CAPACITOR	470pF 50V K	
C1028	QETN1HM-475Z	E CAPACITOR	4.7uF 50V M		C9504	QETN1VM-107Z	E CAPACITOR	100uF 35V M	
C1029	NCS31HJ-470X	C CAPACITOR	47pF 50V J		C9505	NCB31HK-471X	C CAPACITOR	470pF 50V K	
C1030	QEK1CM-475Z	E CAPACITOR	4.7uF 50V M		C9506	QFKB2JK-103	MM CAPACITOR	0.01uF 630V K	
C1031	NCB31HK-103X	C CAPACITOR	0.01uF 50V K		C9507	QCZ0213-472	C CAPACITOR	4700pF 1kV K	
C1032	QETN1CM-477Z	E CAPACITOR	470uF 16V M		C9508	QCZ0213-472	C CAPACITOR	4700pF 1kV K	
C1033	QEK1CM-106Z	E CAPACITOR	10uF 16V M		C9509	QFG32AJ-223Z	PP CAPACITOR	0.022uF 100V J	
C1034	QEK1CM-106Z	E CAPACITOR	10uF 16V M		C9510	QFG32AJ-223Z	PP CAPACITOR	0.022uF 100V J	
C1035	QFN31HJ-183Z	M CAPACITOR	0.018uF 50V J		C9511	QEHQ1HM-228	E CAPACITOR	2200uF 50V M	
C1036	QFVJ1HJ-154Z	MF CAPACITOR	0.15uF 50V J		C9512	QEHQ1HM-228	E CAPACITOR	2200uF 50V M	
C1037	NCB31HK-332X	C CAPACITOR	3300pF 50V K		C9513	NCB31HK-103X	C CAPACITOR	0.01uF 50V K	
C1038	QFVJ1HJ-684Z	MF CAPACITOR	0.68uF 50V J		C9514	NCB31HK-103X	C CAPACITOR	0.01uF 50V K	
C1039	QFVJ1HJ-684Z	MF CAPACITOR	0.68uF 50V J		C9515	QCZ9079-332	C CAPACITOR	3300pF AC250V M	
C1501	QTE1V06-106Z	E CAPACITOR	10uF 35V		R1001	NRSA63J-474X	MG RESISTOR	470kΩ 1/16W J	
C1502	QFN31HJ-332Z	M CAPACITOR	3300pF 50V J		R1002	NRSA63J-474X	MG RESISTOR	470kΩ 1/16W J	
C5001	QERF1CM-107Z	E CAPACITOR	100uF 16V M		R1003	NRSA63J-563X	MG RESISTOR	56kΩ 1/16W J	
C5002	QERF1CM-107Z	E CAPACITOR	100uF 16V M		R1004	NRSA63J-563X	MG RESISTOR	56kΩ 1/16W J	
C5003	QERF1CM-107Z	E CAPACITOR	100uF 16V M		R1005	NRSA63J-683X	MG RESISTOR	68kΩ 1/16W J	
C5004	QERF1CM-107Z	E CAPACITOR	100uF 16V M		R1006	QRL01DJ-471X	OMF RESISTOR	470Ω 1W J	
C5005	QERF1CM-107Z	E CAPACITOR	100uF 16V M		R1007	QRL01DJ-471X	OMF RESISTOR	470Ω 1W J	
C5006	QERF1CM-107Z	E CAPACITOR	100uF 16V M		R1008	NRSA63J-154X	MG RESISTOR	150kΩ 1/16W J	
C5007	NCS31HJ-471X	C CAPACITOR	470pF 50V J		R1009	NRSA63J-154X	MG RESISTOR	150kΩ 1/16W J	
C5008	NCB31HK-223X	C CAPACITOR	0.022uF 50V K		R1010	NRSA63J-154X	MG RESISTOR	150kΩ 1/16W J	
C5009	NCB31EK-104X	C CAPACITOR	0.1uF 25V K		R1011	NRSA63J-154X	MG RESISTOR	150kΩ 1/16W J	
C5010	NCB31EK-104X	C CAPACITOR	0.1uF 25V K		R1012	NRSA63J-682X	MG RESISTOR	6.8kΩ 1/16W J	
C5011	QCBB1HK-104Y	C CAPACITOR	0.1uF 50V K		R1013	NRSA63J-682X	MG RESISTOR	6.8kΩ 1/16W J	
C5012	NCB31EK-104X	C CAPACITOR	0.1uF 25V K		R1014	NRSA63J-563X	MG RESISTOR	56kΩ 1/16W J	
C5013	QCBB1HK-104Y	C CAPACITOR	0.1uF 50V K		R1015	QRE141J-470Y	C RESISTOR	47Ω 1/4W J	
C5014	NCS31HJ-681X	C CAPACITOR	680pF 50V J		R1016	NRSA63J-153X	MG RESISTOR	15kΩ 1/16W J	
C5015	NCS31HJ-470X	C CAPACITOR	47pF 50V J		R1017	QRE141J-470Y	C RESISTOR	47Ω 1/4W J	
C5016	NCS31HJ-560X	C CAPACITOR	56pF 50V J		R1019	NRSA63J-472X	MG RESISTOR	4.7kΩ 1/16W J	
C5017	NCS31HJ-560X	C CAPACITOR	56pF 50V J		R1020	NRSA63J-152X	MG RESISTOR	1.5kΩ 1/16W J	
C5018	NCB11EK-224X	C CAPACITOR	0.22uF 25V K		R1021	NRSA63J-562X	MG RESISTOR	5.6kΩ 1/16W J	
C5019	NCB11EK-684X	C CAPACITOR	0.68uF 25V K		R1022	NRSA63J-333X	MG RESISTOR	33kΩ 1/16W J	
C5020	QTE1V06-106Z	E CAPACITOR	10uF 35V		R1023	NRSA63J-184X	MG RESISTOR	180kΩ 1/16W J	
C5021	QFV72AJ-224Z	MF CAPACITOR	0.22uF 100V J		R1025	QRE141J-470Y	C RESISTOR	47Ω 1/4W J	
C5022	QFG32AJ-392Z	PP CAPACITOR	3900pF 100V J		R1028	QRE141J-470Y	C RESISTOR	47Ω 1/4W J	
C5023	QENC1HM-225Z	BP E CAPACITOR	2.2uF 50V M		R1030	NRSA63J-562X	MG RESISTOR	5.6kΩ 1/16W J	
C5024	NCB31CK-823X	C CAPACITOR	0.082uF 16V K		R1031	NRSA63J-562X	MG RESISTOR	5.6kΩ 1/16W J	
C5025	NCF21HZ-104X	C CAPACITOR	0.1uF 50V Z		R1032	NRSA63J-684X	MG RESISTOR	680kΩ 1/16W J	
C5026	QETN2AM-475Z	E CAPACITOR	4.7uF 100V M		R1033	NRSA63J-103X	MG RESISTOR	10kΩ 1/16W J	
C5027	NCS31HJ-271X	C CAPACITOR	270pF 50V J		R1034	NRSA63J-103X	MG RESISTOR	10kΩ 1/16W J	
C5028	NCS31HJ-271X	C CAPACITOR	270pF 50V J		R1035	NRSA63J-103X	MG RESISTOR	10kΩ 1/16W J	
C5702	QETN1VM-227Z	E CAPACITOR	220uF 35V M		R1036	NRSA63J-153X	MG RESISTOR	15kΩ 1/16W J	
C5703	QER61CM-476Z	E CAPACITOR	47uF 16V M		R1037	NRSA63J-393X	MG RESISTOR	39kΩ 1/16W J	
C5704	NCB31HK-103X	C CAPACITOR	0.01uF 50V K		R1038	NRSA63J-123X	MG RESISTOR	12kΩ 1/16W J	
C5705	NCB31HK-103X	C CAPACITOR	0.01uF 50V K		R1039	NRSA63J-223X	MG RESISTOR	22kΩ 1/16W J	
C5706	NCB11AK-335X	C CAPACITOR	3.3uF 10V K		R1040	NRSA63J-683X	MG RESISTOR	68kΩ 1/16W J	
C5707	NCB31EK-104X	C CAPACITOR	0.1uF 25V K		R1041	QRE141J-470Y	C RESISTOR	47Ω 1/4W J	
C5708	NCB11AK-335X	C CAPACITOR	3.3uF 10V K		R1044	QRE141J-470Y	C RESISTOR	47Ω 1/4W J	
C5709	NCB21AK-225X	C CAPACITOR	2.2uF 10V K		R1046	NRSA63J-823X	MG RESISTOR	82kΩ 1/16W J	
C5710	NCB21AK-225X	C CAPACITOR	2.2uF 10V K		R1047	NRSA63J-224X	MG RESISTOR	220kΩ 1/16W J	
C5711	NCB11EK-224X	C CAPACITOR	0.22uF 25V K		R1048	NRSA63J-102X	MG RESISTOR	1kΩ 1/16W J	
C5901	QFV72AJ-104Z	MF CAPACITOR	0.1uF 100V J		R1049	NRSA63J-222X	MG RESISTOR	2.2kΩ 1/16W J	
C5902	QFV72AJ-104Z	MF CAPACITOR	0.1uF 100V J		R1050	NRSA63J-473X	MG RESISTOR	47kΩ 1/16W J	
C5903	QEHR1HM-227Z	E CAPACITOR	220uF 50V M		R1051	NRSA63J-105X	MG RESISTOR	1MΩ 1/16W J	
C5904	QEHR1HM-227Z	E CAPACITOR	220uF 50V M		R1052	NRSA63J-222X	MG RESISTOR	2.2kΩ 1/16W J	
C5905	QER61EM-475Z	E CAPACITOR	4.7uF 25V M		R1053	NRSA63J-472X	MG RESISTOR	4.7kΩ 1/16W J	
C5906	QER61EM-476Z	E CAPACITOR	47uF 25V M		R1054	NRSA63J-560X	MG RESISTOR	56Ω 1/16W J	
C5907	NCS31HJ-221X	C CAPACITOR	220pF 50V J		R1055	NRSA63J-152X	MG RESISTOR	1.5kΩ 1/16W J	
C5908	NCS31HJ-221X	C CAPACITOR	220pF 50V J		R1056	NRSA63J-103X	MG RESISTOR	10kΩ 1/16W J	
C5909	QEHR1HM-107Z	E CAPACITOR	100uF 50V M		R1057	NRSA63J-154X	MG RESISTOR	150kΩ 1/16W J	
C5910	QEHR1HM-107Z	E CAPACITOR	100uF 50V M		R1059	NRSA63J-104X	MG RESISTOR	100kΩ 1/16W J	
C5911	QEHR1EM-107Z	E CAPACITOR	100uF 25V M		R1060	NRSA63J-224X	MG RESISTOR	220kΩ 1/16W J	
C5912	QEHR1EM-107Z	E CAPACITOR	100uF 25V M		R1061	NRSA63J-105X	MG RESISTOR	1MΩ 1/16W J	
C5913	QERF1CM-106Z	E CAPACITOR	10uF 16V M		R1062	QRE141J-470Y	C RESISTOR	47Ω 1/4W J	
C5914	QERF1CM-106Z	E CAPACITOR	10uF 16V M		R1064	QRE141J-470Y	C RESISTOR	47Ω 1/4W J	
C5915	QTE1E51-106Z	E CAPACITOR	10uF 25V		R1065	QRE141J-102Y	C RESISTOR	1kΩ 1/4W J	
C5916	QTE1E51-106Z	E CAPACITOR	10uF 25V		R1066	NRSA63J-473X	MG RESISTOR	47kΩ 1/16W J	
C5917	NCB21HK-104X	C CAPACITOR	0.1uF 50V K		R1067	NRSA63J-560X	MG RESISTOR	56Ω 1/16W J	
C5918	NCB21HK-104X	C CAPACITOR	0.1uF 50V K		R1068	QRE141J-102Y	C RESISTOR	1kΩ 1/4W J	
△ C9001	QFZ9075-224	MPP CAPACITOR	0.22uF AC275V M		R1069	NRSA63J-102X	MG RESISTOR	1kΩ 1/16W J	
△ C9002	QFZ9075-104	MPP CAPACITOR	0.1uF AC275V M		R1070	QRE141J-102Y	C RESISTOR	1kΩ 1/4W J	
△ C9003	QCZ9079-102	C CAPACITOR	1000pF AC250V M		R1071	QRE141J-102Y	C RESISTOR	1kΩ 1/4W J	
△ C9004	QCZ9079-102	C CAPACITOR	1000pF AC250V M		R1501	NRSA63J-392X	MG RESISTOR	3.9kΩ 1/16W J	
△ C9005	QFZ9075-103	MPP CAPACITOR	0.01uF AC275V M		R5001	NRSA63J-153X	MG RESISTOR	15kΩ 1/16W J	
△ C9501	QEZO602-477	E CAPACITOR	470uF		R5002	NRSA63J-103X	MG RESISTOR	10kΩ 1/16W J	
C9502	QCZ0366-102	C CAPACITOR	1000pF						

△ Symbol No.	Part No.	Part Name	Description	Local	△ Symbol No.	Part No.	Part Name	Description	Local
R5003	NRSA63J-103X	MG RESISTOR	10kΩ 1/16W J		R5729	NRSA63J-683X	MG RESISTOR	68kΩ 1/16W J	
R5004	NRSA63J-103X	MG RESISTOR	10kΩ 1/16W J		R5730	NRSA63J-104X	MG RESISTOR	100kΩ 1/16W J	
R5005	NRSA63J-103X	MG RESISTOR	10kΩ 1/16W J		R5731	NRSA63J-103X	MG RESISTOR	10kΩ 1/16W J	
R5006	NRSA63J-752X	MG RESISTOR	7.5kΩ 1/16W J		R5732	NRSA63J-104X	MG RESISTOR	100kΩ 1/16W J	
R5007	NRSA63J-133X	MG RESISTOR	13kΩ 1/16W J		R5733	NRSA63J-103X	MG RESISTOR	10kΩ 1/16W J	
R5008	NRSA63J-103X	MG RESISTOR	10kΩ 1/16W J		R5734	NRSA63J-474X	MG RESISTOR	470kΩ 1/16W J	
R5009	NRSA63J-103X	MG RESISTOR	10kΩ 1/16W J		R5735	NRSA63J-103X	MG RESISTOR	10kΩ 1/16W J	
R5010	NRSA63J-103X	MG RESISTOR	10kΩ 1/16W J		R5736	NRSA63J-474X	MG RESISTOR	470kΩ 1/16W J	
R5011	NRSA63J-103X	MG RESISTOR	10kΩ 1/16W J		R5737	NRSA63J-103X	MG RESISTOR	10kΩ 1/16W J	
R5012	NRSA63J-103X	MG RESISTOR	10kΩ 1/16W J		R5738	NRSA63J-104X	MG RESISTOR	100kΩ 1/16W J	
R5013	NRSA63J-472X	MG RESISTOR	4.7kΩ 1/16W J		R5739	NRSA63J-103X	MG RESISTOR	10kΩ 1/16W J	
R5014	NRSA63J-472X	MG RESISTOR	4.7kΩ 1/16W J		R5740	NRSA63J-473X	MG RESISTOR	47kΩ 1/16W J	
R5015	NRSA63J-222X	MG RESISTOR	2.2kΩ 1/16W J		R5741	NRSA63J-0R0X	MG RESISTOR	0Ω 1/16W J	
R5016	QRE141J-222Y	C RESISTOR	2.2kΩ 1/4W J		R5742	NRSA63J-2R2X	MG RESISTOR	2.2Ω 1/16W J	
R5017	NRSA63J-102X	MG RESISTOR	1kΩ 1/16W J		R5743	NRSA63J-222X	MG RESISTOR	2.2kΩ 1/16W J	
R5018	NRSA63J-102X	MG RESISTOR	1kΩ 1/16W J		R5744	NRSA63J-391X	MG RESISTOR	390Ω 1/16W J	
R5019	NRSA63J-4R7X	MG RESISTOR	4.7Ω 1/16W J		R5745	NRSA63J-223X	MG RESISTOR	22kΩ 1/16W J	
R5020	NRSA63J-4R7X	MG RESISTOR	4.7Ω 1/16W J		R5746	NRSA63J-104X	MG RESISTOR	100kΩ 1/16W J	
R5021	NRSA63J-4R7X	MG RESISTOR	4.7Ω 1/16W J		R5747	NRSA63J-104X	MG RESISTOR	100kΩ 1/16W J	
R5022	NRSA63J-4R7X	MG RESISTOR	4.7Ω 1/16W J		R5748	NRSA63J-104X	MG RESISTOR	100kΩ 1/16W J	
R5023	NRSA63J-101X	MG RESISTOR	100Ω 1/16W J		R5749	NRSA63J-104X	MG RESISTOR	100kΩ 1/16W J	
R5024	NRSA63J-0R0X	MG RESISTOR	0Ω 1/16W J		R5901	QRZ9005-100X	FUSI RESISTOR	10Ω	
R5025	NRSA63J-4R7X	MG RESISTOR	4.7Ω 1/16W J		R5902	NRSA63J-682X	MG RESISTOR	6.8kΩ 1/16W J	
R5026	NRSA63J-4R7X	MG RESISTOR	4.7Ω 1/16W J		R5905	NRSA63J-473X	MG RESISTOR	47kΩ 1/16W J	
R5027	NRSA63J-2R2X	MG RESISTOR	2.2Ω 1/16W J		R5906	NRSA63J-473X	MG RESISTOR	47kΩ 1/16W J	
R5028	NRSA63J-102X	MG RESISTOR	1kΩ 1/16W J		R5909	QRE141J-102Y	C RESISTOR	1kΩ 1/4W J	
R5029	NRSA63J-682X	MG RESISTOR	6.8kΩ 1/16W J		R5910	QRE141J-102Y	C RESISTOR	1kΩ 1/4W J	
R5030	NRSA63J-682X	MG RESISTOR	6.8kΩ 1/16W J		R5911	NRSA63J-123X	MG RESISTOR	12kΩ 1/16W J	
R5031	NRSA63J-472X	MG RESISTOR	4.7kΩ 1/16W J		R5912	NRSA63J-123X	MG RESISTOR	12kΩ 1/16W J	
R5032	NRSA63J-222X	MG RESISTOR	2.2kΩ 1/16W J		R5913	NRSA63J-331X	MG RESISTOR	330Ω 1/16W J	
R5033	NRSA63J-2R2X	MG RESISTOR	2.2Ω 1/16W J		R5914	NRSA63J-331X	MG RESISTOR	330Ω 1/16W J	
R5034	NRSA63J-2R2X	MG RESISTOR	2.2Ω 1/16W J		R5915	QRZ9038-220X	FUSI RESISTOR	22Ω	
R5035	NRSA63J-2R2X	MG RESISTOR	2.2Ω 1/16W J		R5916	QRZ9038-220X	FUSI RESISTOR	22Ω	
R5036	NRSA63J-103X	MG RESISTOR	10kΩ 1/16W J		R9001	QRL027J-104	OMF RESISTOR	100kΩ 2W J	
R5037	NRSA63J-123X	MG RESISTOR	12kΩ 1/16W J		R9002	QRZ9037-335	COMP RESISTOR	3.3MΩ 1/2W K	
R5038	NRSA63J-222X	MG RESISTOR	2.2kΩ 1/16W J		R9501	QRT017J-R33	MF RESISTOR	0.33Ω 1W J	
R5039	NRSA63J-103X	MG RESISTOR	10kΩ 1/16W J		R9502	QRT017J-R33	MF RESISTOR	0.33Ω 1W J	
R5040	NRSA63J-102X	MG RESISTOR	1kΩ 1/16W J		R9503	QRZ9005-681X	FUSI RESISTOR	680Ω	
R5041	NRSA63J-562X	MG RESISTOR	5.6kΩ 1/16W J		R9504	NRSA63J-332X	MG RESISTOR	3.3kΩ 1/16W J	
R5042	NRSA63J-102X	MG RESISTOR	1kΩ 1/16W J		R9505	NRSA63J-222X	MG RESISTOR	2.2kΩ 1/16W J	
R5043	NRSA63J-332X	MG RESISTOR	3.3kΩ 1/16W J		R9506	NRSA63J-103X	MG RESISTOR	10kΩ 1/16W J	
R5044	NRSA63J-561X	MG RESISTOR	560Ω 1/16W J		R9508	QRL01DJ-220X	OMF RESISTOR	22Ω 1W J	
R5045	NRSA63J-822X	MG RESISTOR	8.2kΩ 1/16W J		R9510	QRE141J-753Y	C RESISTOR	75kΩ 1/4W J	
R5046	NRSA63J-822X	MG RESISTOR	8.2kΩ 1/16W J		R9516	NRSA63J-133X	MG RESISTOR	13kΩ 1/16W J	
R5048	NRSA63J-103X	MG RESISTOR	10kΩ 1/16W J		R9517	NRSA63J-103X	MG RESISTOR	10kΩ 1/16W J	
R5049	QRZ9038-220X	FUSI RESISTOR	22Ω		R9518	NRSA63J-103X	MG RESISTOR	10kΩ 1/16W J	
R5050	QRZ9015-2R2X	FUSI RESISTOR	2.2Ω		R9519	NRSA63J-103X	MG RESISTOR	10kΩ 1/16W J	
R5051	QRZ9015-100X	FUSI RESISTOR	10Ω		R9520	NRSA63J-133X	MG RESISTOR	13kΩ 1/16W J	
R5052	QRZ9015-220X	FUSI RESISTOR	22Ω		R9521	NRSA63J-103X	MG RESISTOR	10kΩ 1/16W J	
R5053	NRSA63J-105X	MG RESISTOR	1MΩ 1/16W J		R9522	NRSA63J-103X	MG RESISTOR	10kΩ 1/16W J	
R5054	NRSA63J-105X	MG RESISTOR	1MΩ 1/16W J		R9523	NRSA63J-102X	MG RESISTOR	1kΩ 1/16W J	
R5055	QRT01DJ-6R8X	MF RESISTOR	6.8Ω 1W J		R9524	NRSA63J-472X	MG RESISTOR	4.7kΩ 1/16W J	
R5056	QRT01DJ-6R8X	MF RESISTOR	6.8Ω 1W J		R9525	NRSA63J-102X	MG RESISTOR	1kΩ 1/16W J	
R5057	NRSA63J-223X	MG RESISTOR	22kΩ 1/16W J		R9526	NRSA63J-103X	MG RESISTOR	10kΩ 1/16W J	
R5058	NRSA63J-184X	MG RESISTOR	180kΩ 1/16W J		R9527	NRSA63J-222X	MG RESISTOR	2.2kΩ 1/16W J	
R5059	NRSA63J-113X	MG RESISTOR	11kΩ 1/16W J		R9528	QRE141J-753Y	C RESISTOR	75kΩ 1/4W J	
R5060	NRSA02J-150X	MG RESISTOR	15Ω 1/10W J		R9529	QRE141J-753Y	C RESISTOR	75kΩ 1/4W J	
R5061	NRSA02J-150X	MG RESISTOR	15Ω 1/10W J		VR101	QVQ0300-B24	V RESISTOR		
R5062	NRSA02J-150X	MG RESISTOR	15Ω 1/10W J		VR151	QVQ0021-B14	V RESISTOR		
R5063	NRSA02J-150X	MG RESISTOR	15Ω 1/10W J		VR501	QVP0008-502Z	TRIM RESISTOR	5kΩ	
R5701	QRE141J-102Y	C RESISTOR	1kΩ 1/4W J		VR502	QVP0008-203Z	TRIM RESISTOR	20kΩ	
R5702	NRSA63J-103X	MG RESISTOR	10kΩ 1/16W J						
R5713	NRSA63J-153X	MG RESISTOR	15kΩ 1/16W J		L5001	QQR1361-001	TOROIDAL COIL		
R5714	NRSA63J-473X	MG RESISTOR	47kΩ 1/16W J		L5901	NQL114K-471X	COIL	470uH K	
R5715	NRSA63J-472X	MG RESISTOR	4.7kΩ 1/16W J		L5902	NQL114K-471X	COIL	470uH K	
R5716	NRSA63J-224X	MG RESISTOR	220kΩ 1/16W J		L5903	NQL114K-471X	COIL	470uH K	
R5717	NRSA63J-104X	MG RESISTOR	100kΩ 1/16W J		L5904	NQL114K-471X	COIL	470uH K	
R5718	NRSA63J-473X	MG RESISTOR	47kΩ 1/16W J		T9501	QQS0172-001	SW TRANSF		
R5719	NRSA63J-473X	MG RESISTOR	47kΩ 1/16W J						
R5720	NRSA63J-222X	MG RESISTOR	2.2kΩ 1/16W J		BK501	LV33818-001A	BKT(FET)		
R5721	NRSA63J-473X	MG RESISTOR	47kΩ 1/16W J		CN101	QGB2016K1-08	CONNECTOR	B-B (1-8)	
R5722	NRSA63J-473X	MG RESISTOR	47kΩ 1/16W J		CN102	QGA2501C1-02	CONNECTOR	W-B (1-2)	
R5723	NRSA63J-224X	MG RESISTOR	220kΩ 1/16W J		CN103	QGB2016J1-05	CONNECTOR	B-B (1-5)	
R5724	NRSA63J-393X	MG RESISTOR	39kΩ 1/16W J		CN151	QGA2001C1-08	CONNECTOR	W-B (1-8)	
R5725	NRSA63J-683X	MG RESISTOR	68kΩ 1/16W J		CN501	QGB2016J1-08	CONNECTOR	B-B (1-8)	
R5726	NRSA63J-104X	MG RESISTOR	100kΩ 1/16W J		CN502	QGB2510K1-10	CONNECTOR	B-B (1-10)	
R5727	NRSA63J-104X	MG RESISTOR	100kΩ 1/16W J		CN503	QGA3901C1-02	CONNECTOR	W-B (1-2)	
R5728	NRSA63J-333X	MG RESISTOR	33kΩ 1/16W J		CN504	QGB2016J1-11	CONNECTOR	B-B (1-11)	

△ Symbol No.	Part No.	Part Name	Description	Local
	CN505	QGB2016K1-11	CONNECTOR	B-B (1-11)
	CN901	QGA7901F2-02	CONNECTOR	W-B (1-2)
	CN951	QGB2510J1-10	CONNECTOR	B-B (1-10)
	CN952	QGB2016K1-05	CONNECTOR	B-B (1-5)
	EP951	QNZ0136-001Z	EARTH PLATE	
	EP952	QNZ0136-001Z	EARTH PLATE	
△	HS951	LV33802-001A	HEAT SINK1	
	HS952	E70306-001	HEAT SINK	
	HS953	E70306-001	HEAT SINK	
	HS954	E70306-001	HEAT SINK	
△	J1001	QNN0090-001	PIN JACK	
	J1002	QNB0159-002	SPK.TERMINAL	
	K1001	NQR0129-003X	FERRITE BESDA	
	K5001	QQR1183-001Z	FERRITE BEADS	
	K5002	QQR1183-001Z	FERRITE BEADS	
	K9501	QQR0779-001Z	COIL	
△	LF901	QQR1360-001	LINE FILTER	
△	LF902	QQR1360-001	LINE FILTER	
△	RY502	QSK0148-001	RELAY	
△	S1001	QSW1002-001	PUSH SW	
	S1501	QSW0999-001	PUSH SW	
△	S9001	QSW1001-001	POWER SW	
	TH501	QAD0015-153Z	THERMISTOR	15kΩ
	TH591	NAD0032-330X	P THERMISTOR	33Ω
	TH592	NAD0032-330X	P THERMISTOR	33Ω
	TH593	NAD0032-330X	P THERMISTOR	33Ω
	TH594	NAD0032-330X	P THERMISTOR	33Ω
	TH901	QAD0143-5R1	THERMISTOR	5.1Ω
△	Z9001	QNG0003-001Z	FUSE CLIP	
△	Z9002	QNG0003-001Z	FUSE CLIP	

Packing materials and accessories parts list

Block No. M 3 M M



Packing and accessories

Block No. [M][3][M][M]

△ Symbol No.	Part No.	Part Name	Description	Local
A 1	LVT0951-006A	INST BOOK	ENG FRE	
A 2	BT-51018-3	WARRANTY CARD		
A 3	YU20333	SAFETY INST.		
A 4	QAM0199-001	PIN CABLE		
A 5	LV43196-003B	CAUTION SHEET		
A 6	SXDW303K-SPBOX	SPEAKER BOX		
P 1	QPA02503503P	POLY BAG	25cm x 35cm	
P 2	LV31492-047A	CARTON		
P 3	LV33917-001A	CARTON SHEET		
P 4	QPH03004510	POLY SHEET	30cm x 45cm	
P 5	QPA07007505P	POLY BAG	70cm x 75cm	
P 6	LV21345-002A	BOTTOM CUSHION		
P 7	LV21345-002A	BOTTOM CUSHION		
P 8	LV21345-001A	TOP CUSHION		

JVC

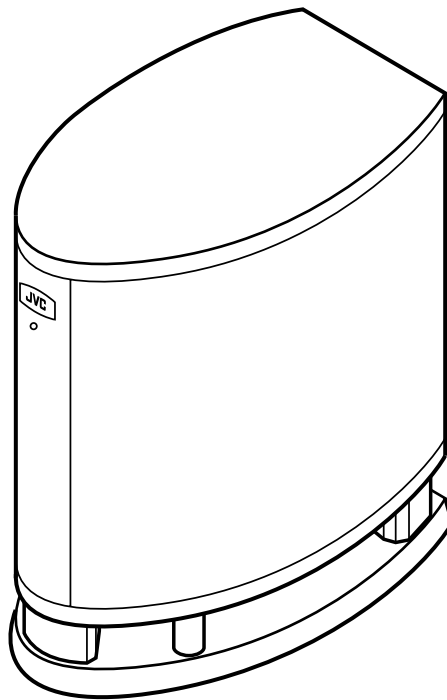
SCHEMATIC DIAGRAMS

POWERED SUBWOOFER

SX-DW303

CD-ROM No.SML200311

Area suffix
J ----- U.S.A.



Contents

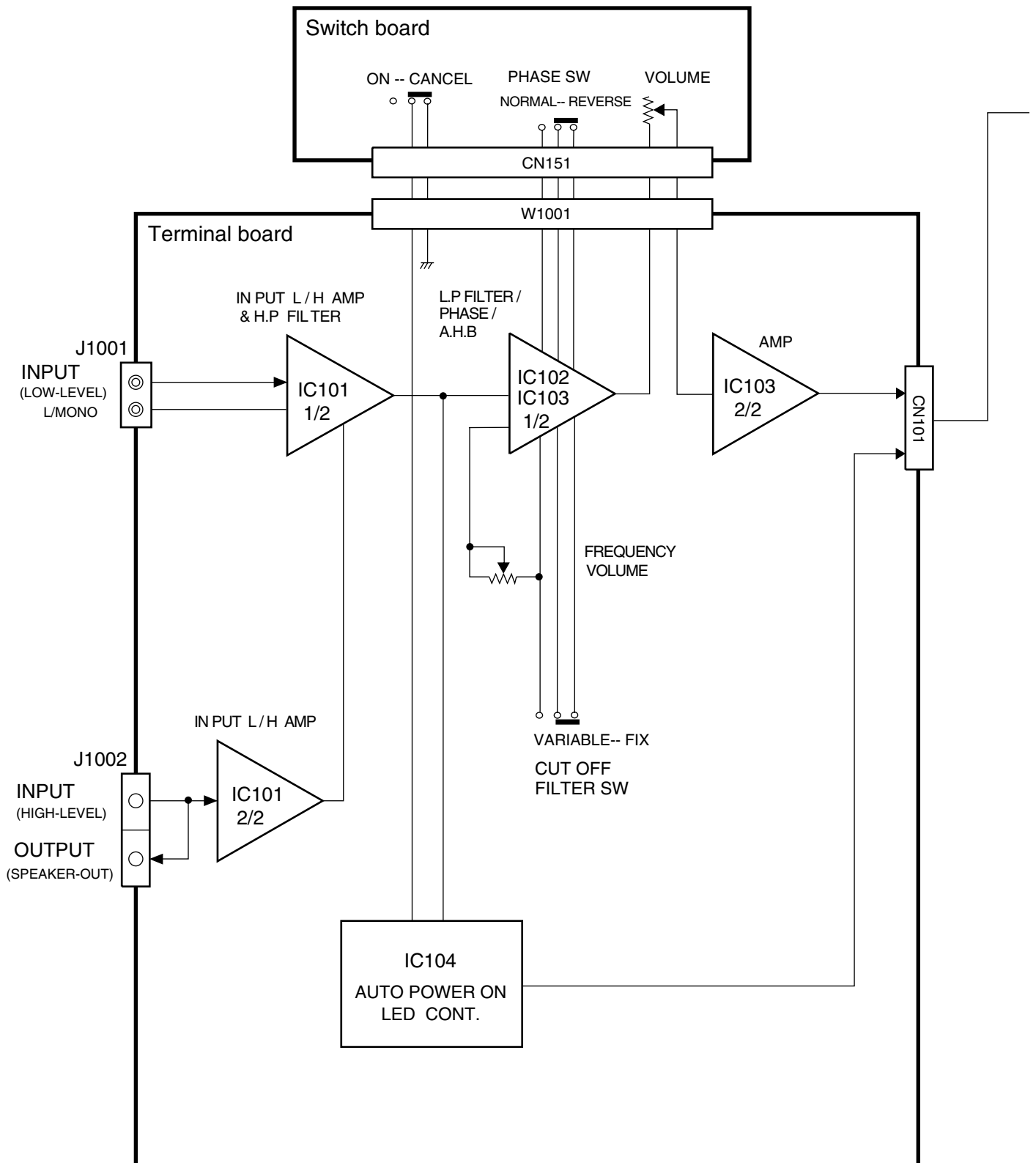
Block diagram	2-1
Standard schematic diagram	2-3
Printed circuit boards	2-5 to 7

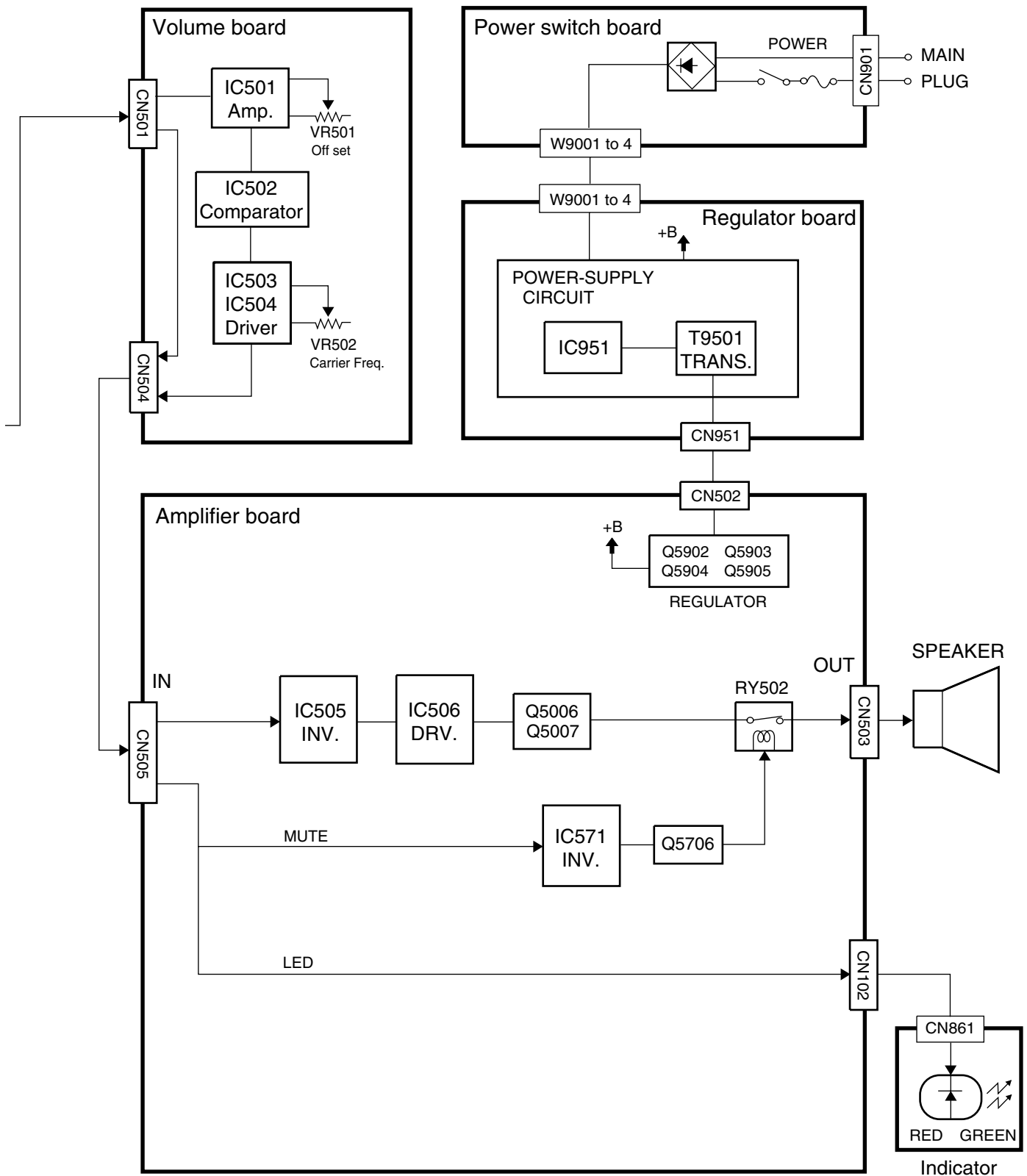
In regard with component parts appearing on the silk-screen printed side (parts side) of the PWB diagrams, the parts that are printed over with black such as the resistor (■), diode (▬) and ICP (●) or identified by the "⚠" mark nearby are critical for safety.

(This regulation does not correspond to J and C version.)

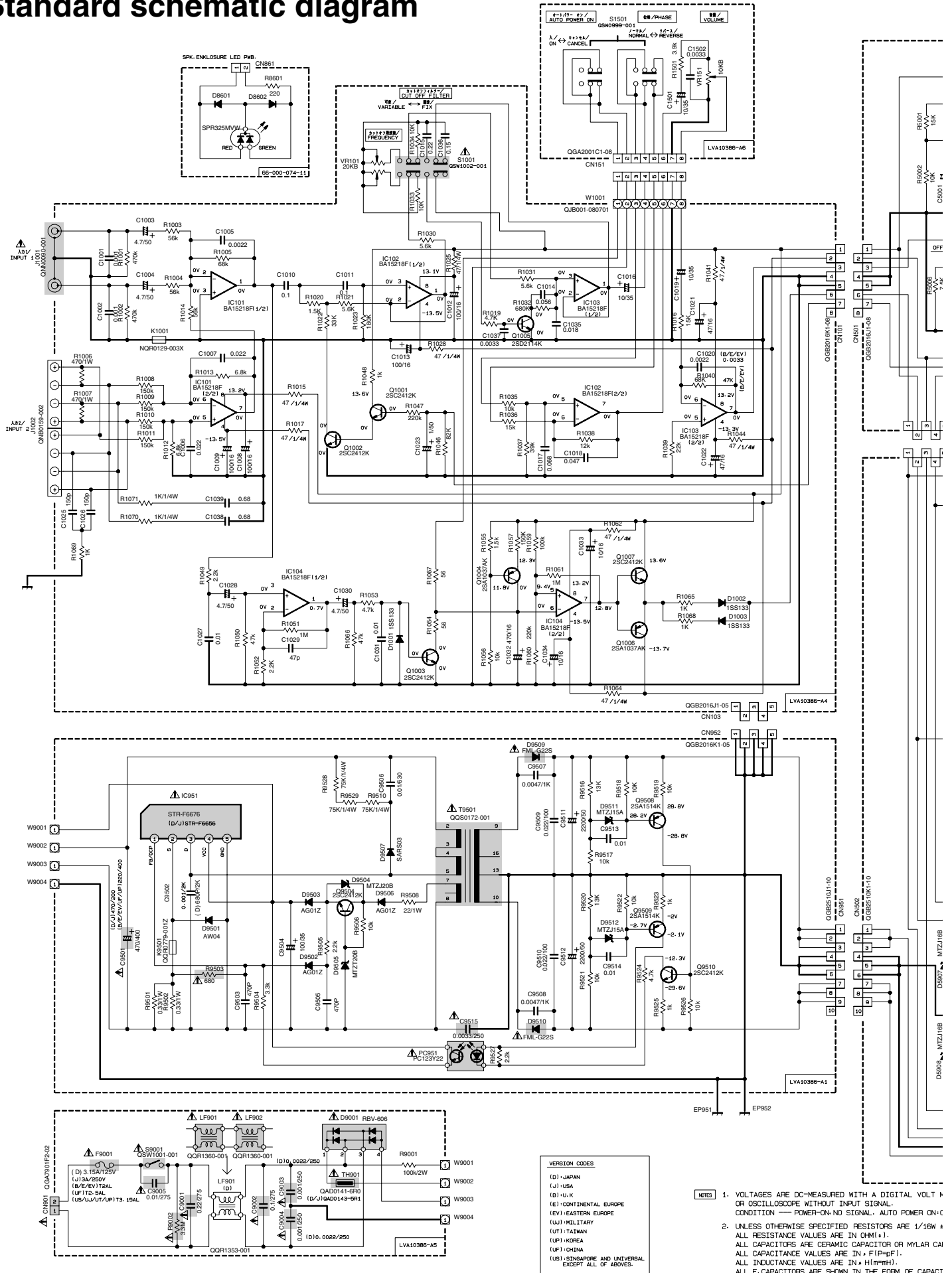
< MEMO >

Block diagram





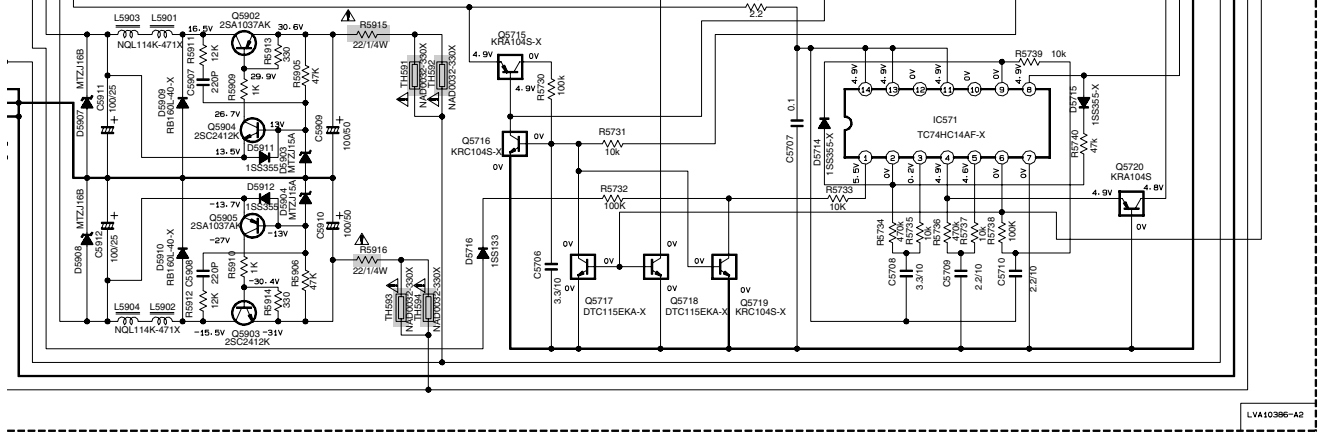
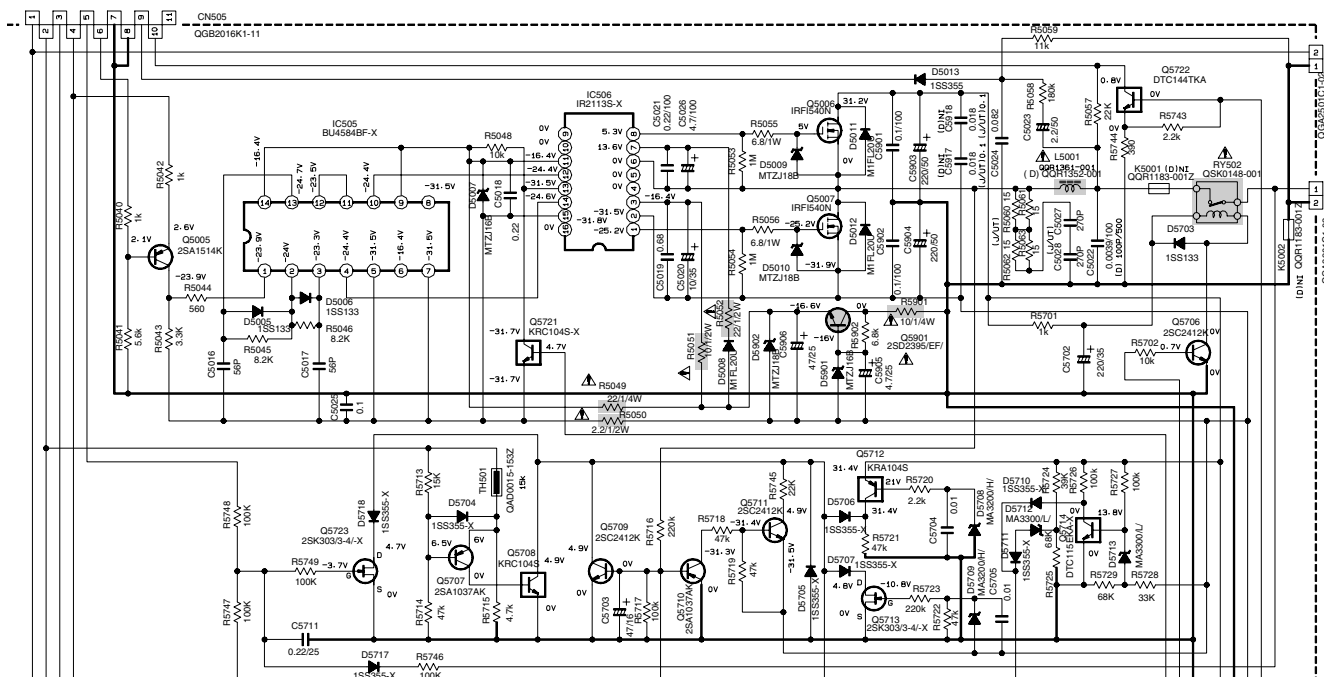
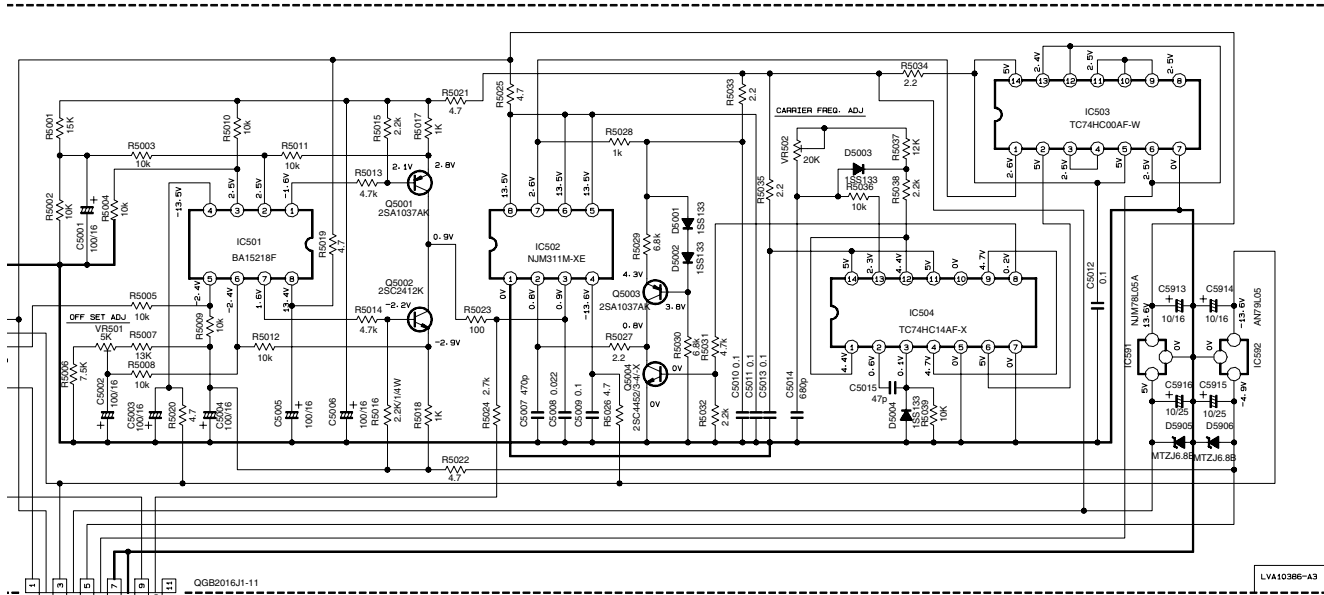
Standard schematic diagram



VERSION CODES

(J) - JAPAN
 (U) - USA
 (B) - B.K.
 (E) - CONTINENTAL EUROPE
 (EV) - EASTERN EUROPE
 (WJ) - MILITARY
 (UT) - TAIWAN
 (UP) - KOREA
 (UP) - CHINA
 (US) - SINGAPORE AND UNIVERSAL EXCEPT ALL OF ABOVE.

- NOTES**
1. VOLTAGES ARE DC-MEASURED WITH A DIGITAL VOLT METER OR OSCILLOSCOPE WITHOUT INPUT SIGNAL.
 2. UNLESS OTHERWISE SPECIFIED RESISTORS ARE 1/16W ± ALL RESISTANCE VALUES ARE IN OHM (Ω). ALL CAPACITORS ARE CERAMIC CAPACITOR OR MYLAR CAP. ALL CAPACITANCE VALUES ARE IN n (n=PF). ALL INDUCTANCE VALUES ARE IN m (m=MH). ALL E-CAPACITORS ARE SHOWN IN THE FORM OF CAPACITANCE.



DIGITAL VOLT METER
 ○ POWER ON-CANCEL. OUT OFF FILTER-VARIABLE
 □ ARE 1/16W ±5% THICK FILM CHIP RESISTOR.
 ○ MYLAR CAPACITOR.
 F).
 RM OF CAPACITANCE (μF)/RATED VOLTAGE (V).

TABLE1 DIGITAL TRANSISTOR

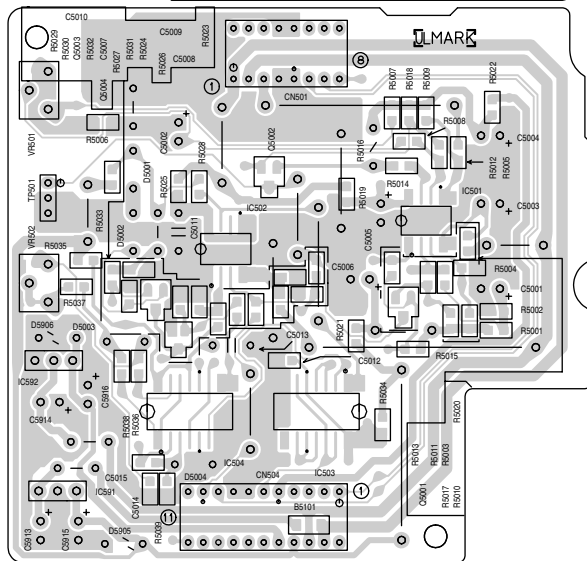
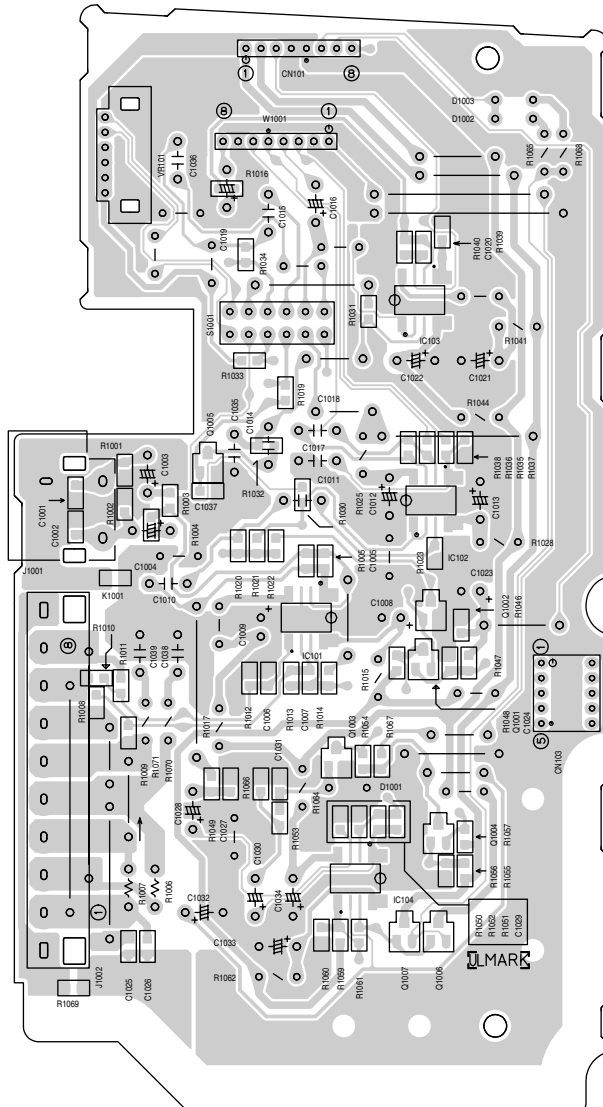
--	--	--	--

⚠ Parts are safety assurance parts.
 When replacing those parts make
 sure to use the specified one.

Printed circuit boards

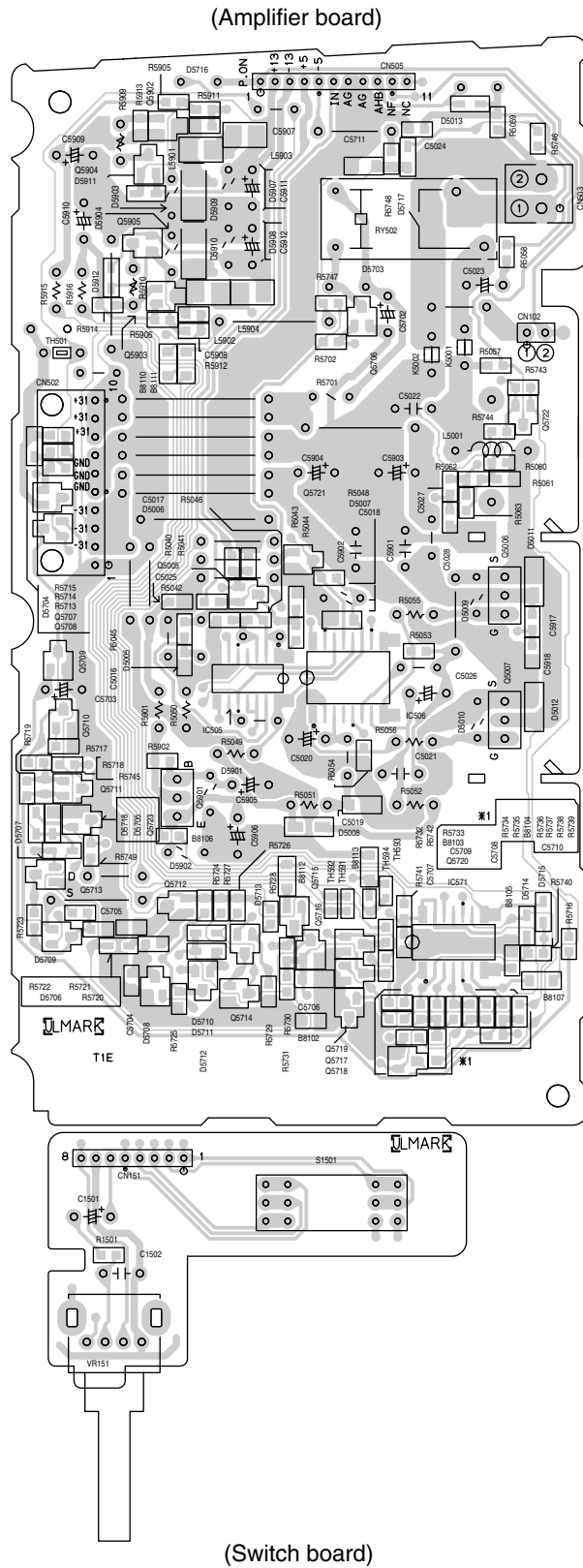
■ Main board (1/3)

(Terminal board)



(Volume board)

Main board (2/3)



< MEMO >

JVC

VICTOR COMPANY OF JAPAN, LIMITED

AV & MULTIMEDIA COMPANY AUDIO/VIDEO SYSTEMS CATEGORY 10-1,1chome,Ohwatari-machi,Maebashi-city,371-8543,Japan

(No.MB082SCH)



Printed in Japan
WPC